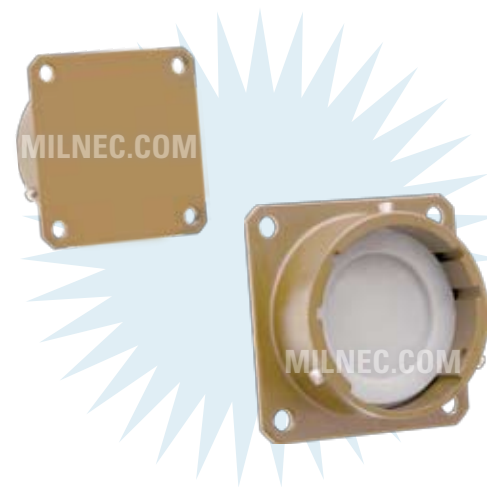


DLCD - 15 W - 03

- 1 **BASIC PART NUMBER**
DLCD Stowage receptacle
- 2 **SHELL SIZE**
See Stowage Receptacle Dimensions table below
- 3 **MATERIAL & FINISH**
N Aluminum, electroless nickel
W Aluminum, olive drab cadmium
- 4 **OPTIONAL ACCESSORY KIT (OMIT FOR NONE)**
02 Protective cover + mounting gasket
03 02 kit + mounting bracket + sealing screws

Note: See part builder (p. N-14) for additional kit options.



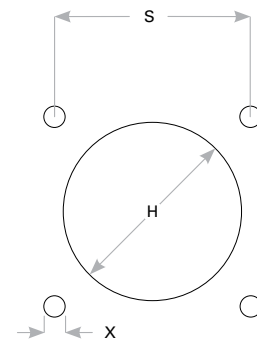
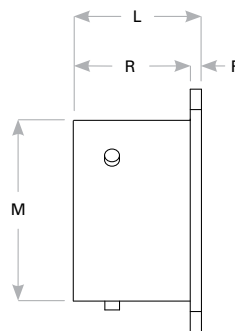
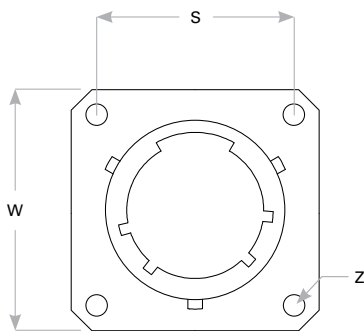
DLCD Compatibility

Compatible Brands	Plugs
MIL-DTL-38999 Series I	MS27467
Aero / Conesys	AE167
Amphenol	LJT06, LJTS06
Deutsch	DJT6
ITT Cannon	KJL6
Souriau	8LT5

Stowage Receptacle Dimensions

Shell Size	W	M	Z	R	F	S	X	H	P Max Rear Panel
9	.958 (24.3)	.572 (14.5)	.128 (3.3)	.727 (18.5)	.085 (2.2)	.719 (18.3)	.128 (3.3)	.656 (16.7)	.234 (5.9)
11	1.051 (26.7)	.700 (17.8)	.128 (3.3)	.727 (18.5)	.085 (2.2)	.812 (20.6)	.128 (3.3)	.796 (20.2)	.234 (5.9)
13	1.145 (29.1)	.850 (21.6)	.128 (3.3)	.727 (18.5)	.085 (2.2)	.906 (23.0)	.128 (3.3)	.922 (23.4)	.234 (5.9)
15	1.239 (31.5)	.975 (24.8)	.128 (3.3)	.727 (18.5)	.085 (2.2)	.969 (24.6)	.128 (3.3)	1.047 (26.6)	.234 (5.9)
17	1.332 (33.8)	1.100 (27.9)	.128 (3.3)	.727 (18.5)	.085 (2.2)	1.062 (27.0)	.128 (3.3)	1.219 (31.0)	.234 (5.9)
19	1.458 (37.0)	1.207 (30.7)	.128 (3.3)	.727 (18.5)	.085 (2.2)	1.156 (29.4)	.128 (3.3)	1.297 (32.9)	.234 (5.9)
21	1.582 (40.2)	1.332 (33.8)	.128 (3.3)	.697 (17.7)	.115 (2.9)	1.250 (31.8)	.128 (3.3)	1.422 (36.1)	.204 (5.2)
23	1.708 (43.4)	1.457 (37.0)	.147 (3.7)	.697 (17.7)	.115 (2.9)	1.375 (34.9)	.147 (3.7)	1.547 (39.3)	.204 (5.2)
25	1.832 (46.5)	1.582 (40.2)	.147 (3.7)	.697 (17.7)	.115 (2.9)	1.500 (38.1)	.147 (3.7)	1.672 (42.5)	.193 (4.9)

Dimensions are in inches (mm).



Panel Cutout

Rev. 1703