

Jam Nut Receptacle (Hermetic)

DL Series • MIL-DTL-38999 Series I Style Connectors



DL13 Compatibility

Compatible Brands	Mates
MIL-DTL-38999 Series I	MS27467
Aero / Conesys	AE167
Amphenol	LJT06, LJTS06
Deutsch	DJT6
ITT Cannon	KJL6
Souriau	8LT5

DL13 HA 13-98 P N - 02

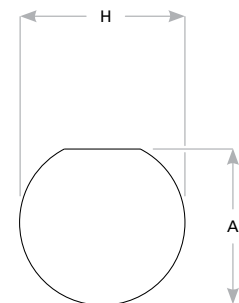
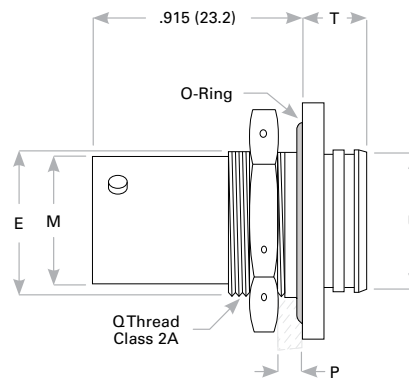
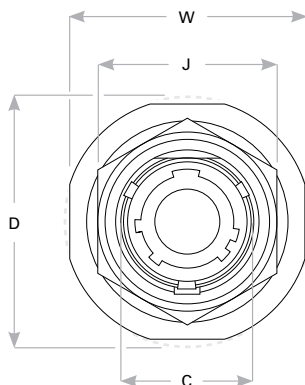
- 1 **BASIC PART NUMBER**
DL13 Hermetic jam nut receptacle
 Helium leakage <math> < 1.0 \times 10^{-6}</math> cc³/sec at 15 psi (1.1 kg/cm²). Insert rated to 14,000 psi (984 kg/cm²) when precision welded or soldered.
- 2 **MATERIAL & FINISH**
HA Stainless steel, passivated
HB Stainless steel, electrodeposited nickel
- 3 **SHELL SIZE & INSERT ARRANGEMENT**
 See Insert Arrangement Selection table, p. N-16
 (Verify hermetic availability on table)
- 4 **CONTACT STYLE**
P Pin, gold plated
H* Socket, gold plated
- 5 **ALTERNATE KEYING**
N NORMAL or A, B, C, D
- 6 **OPTIONAL ACCESSORY KIT (OMIT FOR NONE)**
02 Protective cover

* Please consult an authorized distributor for lead time and minimum quantity requirements.

Receptacle Dimensions

Shell Size	W	D	C	J Hex	T	E	M	Q Thread Class 2A	U	P Max Rear Panel†	H	A
9	1.062 (27.0)	1.199 (30.5)	.697 (17.7)	.875 (22.2)	.297 (7.5)	.669 (17.0)	.572 (14.5)	.6875-24 UNEF	.642 (16.3)	.125 (3.2)	.700 (17.8)	.670 (17.0)
11	1.250 (31.8)	1.386 (35.2)	.822 (20.9)	1.000 (25.4)	.297 (7.5)	.769 (19.5)	.700 (17.8)	.8125-20 UNEF	.766 (19.5)	.125 (3.2)	.825 (21.0)	.771 (19.6)
13	1.375 (34.9)	1.511 (38.4)	1.007 (25.6)	1.188 (30.2)	.297 (7.5)	.955 (24.3)	.850 (21.6)	1.0000-20 UNEF	.892 (22.7)	.125 (3.2)	1.010 (25.7)	.955 (24.3)
15	1.500 (38.1)	1.636 (41.6)	1.134 (28.8)	1.312 (33.3)	.297 (7.5)	1.084 (27.5)	.975 (24.8)	1.1250-18 UNEF	1.018 (25.9)	.125 (3.2)	1.135 (28.8)	1.085 (27.6)
17	1.625 (41.3)	1.761 (44.7)	1.259 (32.0)	1.438 (36.5)	.297 (7.5)	1.208 (30.7)	1.100 (27.9)	1.2500-18 UNEF	1.142 (29.0)	.125 (3.2)	1.260 (32.0)	1.210 (30.7)
19	1.812 (46.0)	1.949 (49.5)	1.384 (35.2)	1.562 (39.7)	.328 (8.3)	1.333 (33.9)	1.207 (30.7)	1.3750-18 UNEF	1.268 (32.2)	.125 (3.2)	1.385 (35.2)	1.335 (33.9)
21	1.938 (49.2)	2.073 (52.7)	1.507 (38.3)	1.688 (42.9)	.328 (8.3)	1.459 (37.1)	1.332 (33.8)	1.5000-18 UNEF	1.392 (35.4)	.125 (3.2)	1.510 (38.4)	1.460 (37.1)
23	2.062 (52.4)	2.199 (55.9)	1.634 (41.5)	1.812 (46.0)	.328 (8.3)	1.580 (40.1)	1.457 (37.0)	1.6250-18 UNEF	1.518 (38.6)	.125 (3.2)	1.635 (41.5)	1.585 (40.3)
25	2.188 (55.6)	2.328 (59.0)	1.759 (44.7)	2.000 (50.8)	.328 (8.3)	1.709 (43.4)	1.582 (40.2)	1.7500-18 UNS	1.642 (41.7)	.125 (3.2)	1.760 (44.7)	1.710 (43.4)

Dimensions are in inches (mm). † Max panel thickness will ensure proper coupling clearance.



Panel Cutout

Rev. 1604.1