

Wall Mount Receptacle (Hermetic)

DL Series • MIL-DTL-38999 Series I Style Connectors

DL10 HA 9-35 P N - R2(004) -03

- 1 **BASIC PART NUMBER**
DL10 Hermetic wall mount receptacle
 Helium leakage <math> < 1.0 \times 10^{-7}</math> cc³/sec at
 15 psi (1.1 kg/cm²). Insert rated to 14,000 psi
 (984 kg/cm²) when precision welded or soldered.
- 2 **MATERIAL & FINISH**
HA Stainless steel, passivated
HB Stainless steel, electrodeposited nickel
- 3 **SHELL SIZE & INSERT ARRANGEMENT**
 See Insert Arrangement Selection table, p. N-16
- 4 **CONTACT STYLE**
P Pin, gold plated, solder cup termination
H* Socket, gold plated, solder cup termination
- 5 **ALTERNATE KEYING**
N NORMAL or A, B, C, D
- 6 **OPTIONAL BACKSHELL KIT (OMIT FOR NONE)**
B2 Straight strain relief (self-locking), p. N-36
R2() Straight EMI/RFI environmental, p. N-38
 (Add dash number for appropriate shell size, see p. N-38)
- 7 **OPTIONAL ACCESSORY KIT (OMIT FOR NONE)**
02 Protective cover + mounting gasket
03 02 kit + mounting bracket + sealing screws

* Please consult an authorized distributor for lead time and minimum quantity requirements.



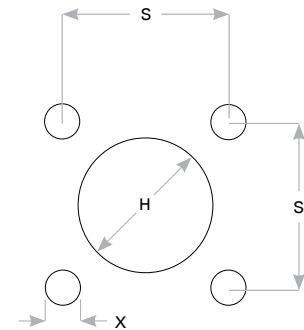
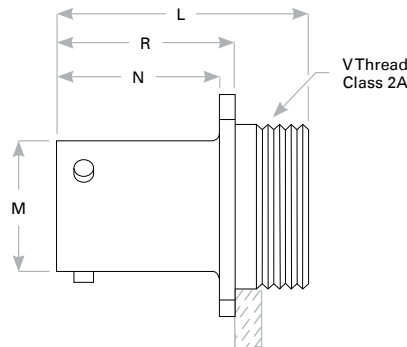
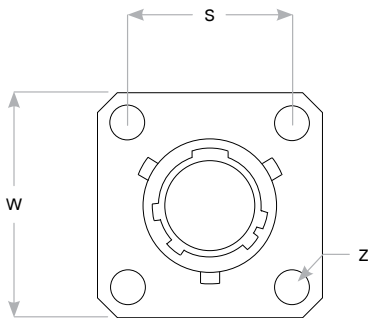
DL10 Compatibility

Compatible Brands	Mates
MIL-DTL-38999 Series I	MS27467
Aero / Conesys	AE167
Amphenol	LJT06, LJTS06
Deutsch	DJT6
ITT Cannon	KJL6
Souriau	8LT5

Receptacle Dimensions

Shell Size	W	Z	L	R	N	M	V Thread Class 2A	S	X	H Front Mount
9	.938 (23.8)	.128 (3.3)	1.047 (26.6)	.741 (18.8)	.659 (16.7)	.572 (14.5)	.6875-24 UNEF	.719 (18.3)	.125 (3.2)	.750 (19.1)
11	1.031 (26.2)	.128 (3.3)	1.047 (26.6)	.741 (18.8)	.659 (16.7)	.700 (17.8)	.8125-20 UNEF	.812 (20.6)	.125 (3.2)	.906 (23.0)
13	1.125 (28.6)	.128 (3.3)	1.047 (26.6)	.741 (18.8)	.659 (16.7)	.850 (21.6)	.9375-20 UNEF	.906 (23.0)	.125 (3.2)	1.016 (25.8)
15	1.219 (31.0)	.128 (3.3)	1.047 (26.6)	.741 (18.8)	.659 (16.7)	.975 (24.8)	1.0625-18 UNEF	.969 (24.6)	.125 (3.2)	1.141 (29.0)
17	1.312 (33.3)	.128 (3.3)	1.047 (26.6)	.741 (18.8)	.659 (16.7)	1.100 (27.9)	1.1875-18 UNEF	1.062 (27.0)	.125 (3.2)	1.266 (32.2)
19	1.438 (36.5)	.128 (3.3)	1.047 (26.6)	.741 (18.8)	.659 (16.7)	1.207 (30.7)	1.3125-18 UNEF	1.156 (29.4)	.125 (3.2)	1.375 (34.9)
21	1.562 (39.7)	.128 (3.3)	1.047 (26.6)	.741 (18.8)	.659 (16.7)	1.332 (33.8)	1.4375-18 UNEF	1.250 (31.8)	.125 (3.2)	1.484 (37.7)
23	1.688 (42.9)	.147 (3.7)	1.047 (26.6)	.741 (18.8)	.659 (16.7)	1.457 (37.0)	1.5625-18 UNEF	1.375 (34.9)	.152 (3.9)	1.610 (40.9)
25	1.812 (46.0)	.147 (3.7)	1.047 (26.6)	.741 (18.8)	.659 (16.7)	1.582 (40.2)	1.6875-18 UNEF	1.500 (38.1)	.152 (3.9)	1.719 (43.7)

Dimensions are in inches (mm).



Panel Cutout

Rev. 2150