

Jam Nut Thru-Bulkhead Recept.

DL Series • MIL-DTL-38999 Series I Style Connectors

DL24 N 13-35 P 1 N - 02

- 1 **BASIC PART NUMBER**
DL24 Jam nut thru-bulkhead receptacle
- 2 **MATERIAL & FINISH**
N Aluminum, electroless nickel
W Aluminum, olive drab cadmium
- 3 **SHELL SIZE & INSERT ARRANGEMENT**
See Insert Arrangement Selection table, p. B-19
- 4 **CONTACT STYLE**
P Pins on jam nut side, sockets opposite
S Sockets on jam nut side, pins opposite
- 5 **PANEL RANGE**
1 .063 (1.6) Min — .125 (3.2) Max
2 .063 (1.6) Min — .250 (6.4) Max
3 .063 (1.6) Min — .500 (12.7) Max
- 6 **ALTERNATE KEYING**
N NORMAL or A, B, C, D
- 7 **OPTIONAL ACCESSORY KIT (OMIT FOR NONE)**
02 Protective cover (2x)



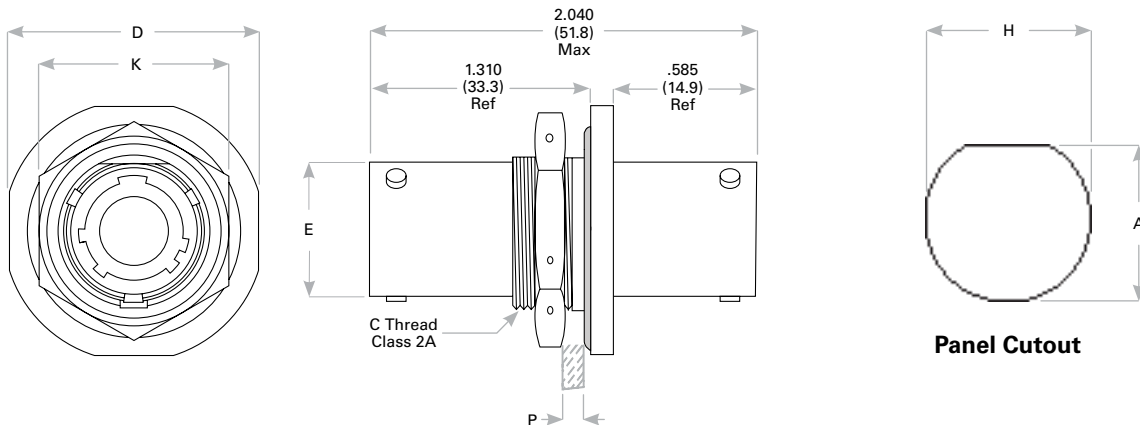
DL24 Compatibility

Compatible Brands	Mates
MIL-DTL-38999 Series I	MS27467
Aero / Conesys	AE167
Amphenol	LJT06, LJTS06
Deutsch	DJT6
ITT Cannon	KJL6
Souriau	8LT5

Receptacle Dimensions

Shell Size	K	D	E	C Thread Class 2A	H	A	P Max Panel [‡]
9	.875 (22.2)	1.062 (27.0)	.573 (14.6)	.688-24 UNEF	.703 (17.9)	.657 (16.7)	See Option 5 for Panel Range
11	1.000 (25.4)	1.250 (31.8)	.701 (17.8)	.813-20 UNEF	.830 (21.1)	.771 (19.6)	
13	1.188 (30.2)	1.375 (34.9)	.851 (21.6)	1.000-20 UNEF	1.015 (25.8)	.955 (24.3)	
15	1.312 (33.3)	1.500 (38.1)	.976 (24.8)	1.125-18 UNEF	1.140 (29.0)	1.085 (27.6)	
17	1.438 (36.5)	1.625 (41.3)	1.101 (28.0)	1.250-18 UNEF	1.265 (32.1)	1.120 (28.5)	
19	1.562 (39.7)	1.812 (46.0)	1.208 (30.7)	1.375-18 UNEF	1.390 (35.3)	1.335 (33.9)	
21	1.688 (42.9)	1.938 (49.2)	1.333 (33.9)	1.500-18 UNEF	1.515 (38.5)	1.460 (37.1)	
23	1.812 (46.0)	2.062 (52.4)	1.458 (37.0)	1.625-18 UNEF	1.640 (41.7)	1.585 (40.3)	
25	2.000 (50.8)	2.188 (55.6)	1.583 (40.2)	1.750-18 UNS	1.765 (44.8)	1.710 (43.4)	

Dimensions are in inches (mm). ‡ Max panel thickness will ensure proper coupling clearance.



Rev. 1806