

MS27466 Connector Type Datasheet

DL Series • MIL-DTL-38999 Series I Style Connectors



DL00 Cross-Reference & Compatibility

Compatible Brands	Equivalents	Mates
MIL-DTL-38999 Series I	MS27466	MS27467
Aero / Conesys	AE166	AE167
Amphenol	LJT00	LJT06, LJTS06
Deutsch	DJT0	DJT6
ITT Cannon	KJL0	KJL6
Souriau	8LT0	8LT5

DL00 N 13-35 S N - R2(015) - 03

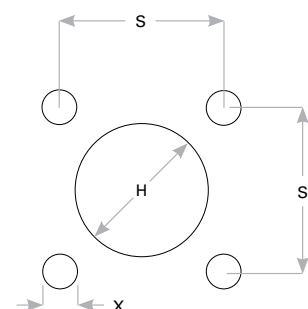
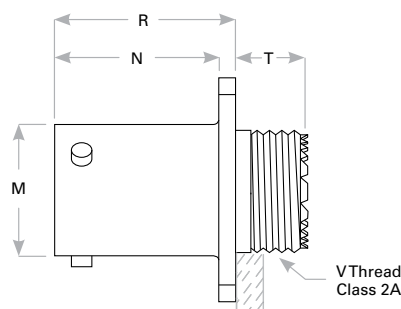
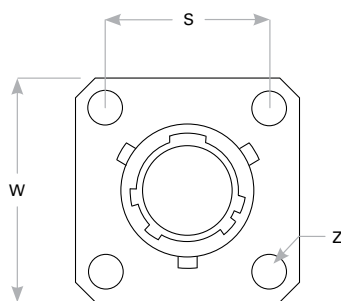
- 1 **BASIC PART NUMBER**
DL00 Wall mount receptacle (front mount)
- 2 **MATERIAL & FINISH**
N Aluminum, electroless nickel
W Aluminum, olive drab cadmium
- 3 **SHELL SIZE & INSERT ARRANGEMENT**
See Insert Arrangement Selection table, p. N-16
- 4 **CONTACT STYLE**
P Pin
S Socket
- 5 **ALTERNATE KEYING**
N NORMAL or A, B, C, D
- 6 **OPTIONAL BACKSHELL KIT (OMIT FOR NONE)**
B2 Straight strain relief (self-locking), p. N-36
R2() Straight EMI/RFI environmental, p. N-38
(Add dash number for appropriate shell size, see p. N-38)
K2 Boot adapter, p. N-50, & straight shrink boot, p. N-48
- 7 **OPTIONAL ACCESSORY KIT (OMIT FOR NONE)**
02 Protective cover + mounting gasket
03 02 kit + mounting bracket + sealing screws

Note: See part builder (p. N-14) for additional kit options.

Receptacle Dimensions

Shell Size	W	Z	R	N	T	M	V Thread Class 2A	S	X	H Front Mount
9	.938 (23.8)	.128 (3.3)	.717 (18.2)	.632 (16.1)	.496 (12.6)	.572 (14.5)	.4375-28 UNEF	.719 (18.3)	.128 (3.3)	.516 (13.1)
11	1.031 (26.2)	.128 (3.3)	.717 (18.2)	.632 (16.1)	.496 (12.6)	.700 (17.8)	.5625-24 UNEF	.812 (20.6)	.128 (3.3)	.625 (15.9)
13	1.125 (28.6)	.128 (3.3)	.717 (18.2)	.632 (16.1)	.496 (12.6)	.850 (21.6)	.6875-24 UNEF	.906 (23.0)	.128 (3.3)	.750 (19.1)
15	1.219 (31.0)	.128 (3.3)	.717 (18.2)	.632 (16.1)	.496 (12.6)	.975 (24.8)	.8125-20 UNEF	.969 (24.6)	.128 (3.3)	.906 (23.0)
17	1.312 (33.3)	.128 (3.3)	.717 (18.2)	.632 (16.1)	.496 (12.6)	1.100 (27.9)	.9375-20 UNEF	1.062 (27.0)	.128 (3.3)	1.016 (25.8)
19	1.438 (36.5)	.128 (3.3)	.717 (18.2)	.632 (16.1)	.496 (12.6)	1.207 (30.7)	1.0625-18 UNEF	1.156 (29.4)	.128 (3.3)	1.141 (29.0)
21	1.562 (39.7)	.128 (3.3)	.717 (18.2)	.602 (15.3)	.496 (12.6)	1.332 (33.8)	1.1875-18 UNEF	1.250 (31.8)	.128 (3.3)	1.266 (32.2)
23	1.688 (42.9)	.147 (3.7)	.717 (18.2)	.602 (15.3)	.496 (12.6)	1.457 (37.0)	1.3125-18 UNEF	1.375 (34.9)	.147 (3.7)	1.375 (34.9)
25	1.812 (46.0)	.147 (3.7)	.717 (18.2)	.602 (15.3)	.496 (12.6)	1.582 (40.2)	1.4375-18 UNEF	1.500 (38.1)	.147 (3.7)	1.484 (37.7)

Dimensions are in inches (mm).



Panel Cutout

Rev. 1825