

MS27661 Connector Type Datasheet

DL Series • MIL-DTL-38999 Series I Style Connectors



DL36 Cross-Reference & Compatibility

Compatible Brands	Equivalents	Mates
MIL-DTL-38999 Series I	MS27661	MS27466, MS27468, MS27496, MS27505, MS27656
Amphenol	88-5388, 91-5388	LJT00, LJT01, LJT02, LJT07

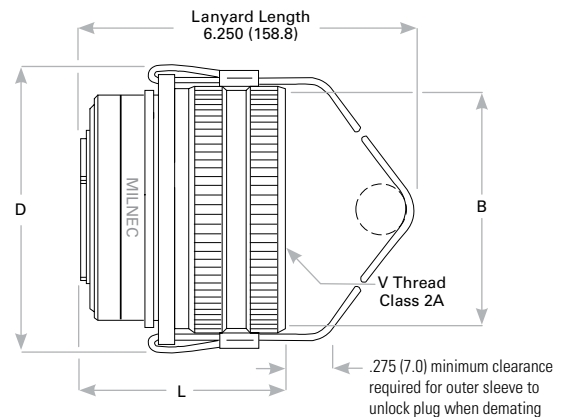
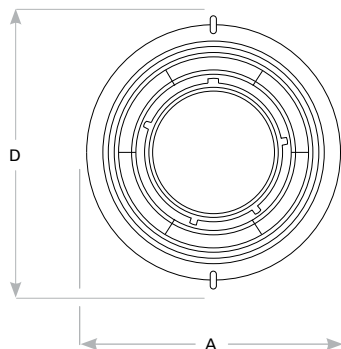
DL36 N 13-35 P N - L4 - 01

- 1 **BASIC PART NUMBER**
DL36 Lanyard release plug (MS27661 type)
- 2 **MATERIAL & FINISH**
N Aluminum, electroless nickel
W Aluminum, olive drab cadmium
- 3 **SHELL SIZE & INSERT ARRANGEMENT**
See Insert Arrangement Selection table, p. B-19
- 4 **CONTACT STYLE**
P Pin
S Socket
- 5 **ALTERNATE KEYING**
N NORMAL or A, B, C, D, E
- 6 **OPTIONAL BACKSHELL KIT (OMIT FOR NONE)**
L4 90° low profile backshell
- 7 **OPTIONAL ACCESSORY KIT (OMIT FOR NONE)**
01 Protective cover

Plug Dimensions

Shell Size	A Max	D Max	B Max Accessory Dia	L Max	V Thread Class 2A
9			Unavailable in This Shell Size		
11	1.393 (35.4)	1.797 (45.6)	.740 (18.8)	1.703 (43.3)	.5625-24 UNEF
13	1.558 (39.6)	1.969 (50.0)	.926 (23.5)	1.703 (43.3)	.6875-24 UNEF
15	1.669 (42.4)	2.078 (52.8)	1.051 (26.7)	1.703 (43.3)	.8125-20 UNEF
17	1.797 (45.6)	2.203 (56.0)	1.176 (29.9)	1.703 (43.3)	.9375-20 UNEF
19	1.926 (48.9)	2.323 (59.0)	1.300 (33.0)	1.703 (43.3)	1.0625-18 UNEF
21	2.054 (52.2)	2.469 (62.7)	1.426 (36.2)	1.703 (43.3)	1.1875-18 UNEF
23	2.183 (55.5)	2.594 (65.9)	1.551 (39.4)	1.703 (43.3)	1.3125-18 UNEF
25	2.293 (58.2)	2.703 (68.7)	1.676 (42.6)	1.766 (44.9)	1.4375-18 UNEF

Dimensions are in inches (mm).



Rev. 1806