

90° EMI/RFI Env. Backshell

DS Series • MIL-DTL-38999 Series II Style Connectors



Photo for example only

DSR4 - 015 N

- 1 BASIC PART NUMBER
- 2 DASH NO.
- 3 MATERIAL & FINISH

DSR4 90° EMI/RFI environmental backshell

See Backshell Dimensions table below

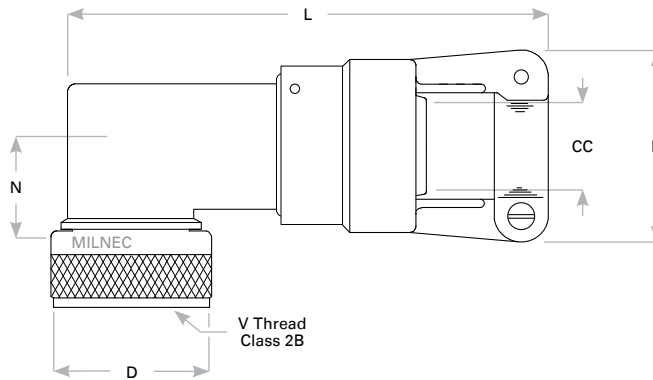
N Aluminum, electroless nickel

W Aluminum, olive drab cadmium

Note: See part builder (p. R-14) for additional kit options.

DSR4 Compatibility

Compatible Brands	Connectors
MIL-DTL-38999 Series II	MS27472, MS27473, MS27474, MS27484, MS27497
Aero / Conesys	AE272, AE273, AE274, AE284, AE297
Amphenol	JT00, JTPQ00, JT01, JT06, JTG06, JT07
ITT Cannon	KJ0, KJ3, KJ6, KJG6, KJ7
Souriau	8T1, 8L3, 8T6, 8T7



Backshell Dimensions

Dash No.	Shell Size	V Thread Class 2B	N	D	B	L	CC Cable Clearance	
							Min	Max
001	8	.438-28 UNEF	.532 (13.5)	.750 (19.1)	.800 (20.3)	3.267 (83.0)	.062 (1.6)	.125 (3.2)
002	8	.438-28 UNEF	.532 (13.5)	.750 (19.1)	1.000 (25.4)	3.267 (83.0)	.125 (3.2)	.250 (6.4)
003	10	.562-24 UNEF	.627 (15.9)	.850 (21.6)	.800 (20.3)	3.387 (86.0)	.062 (1.6)	.125 (3.2)
004	10	.562-24 UNEF	.627 (15.9)	.850 (21.6)	1.000 (25.4)	3.387 (86.0)	.125 (3.2)	.250 (6.4)
005	10	.562-24 UNEF	.627 (15.9)	.850 (21.6)	1.100 (27.9)	3.407 (86.5)	.250 (6.4)	.375 (9.5)
006	12	.688-24 UNEF	.642 (16.3)	1.000 (25.4)	1.000 (25.4)	3.407 (86.5)	.125 (3.2)	.250 (6.4)
007	12	.688-24 UNEF	.642 (16.3)	1.000 (25.4)	1.100 (27.9)	3.407 (86.5)	.250 (6.4)	.375 (9.5)
008	12	.688-24 UNEF	.642 (16.3)	1.000 (25.4)	1.200 (30.5)	3.407 (86.5)	.375 (9.5)	.500 (12.7)
009	14	.813-20 UNEF	.719 (18.3)	1.150 (29.2)	1.000 (25.4)	3.477 (88.3)	.125 (3.2)	.250 (6.4)
010	14	.813-20 UNEF	.719 (18.3)	1.150 (29.2)	1.100 (27.9)	3.477 (88.3)	.250 (6.4)	.375 (9.5)

Dimensions are in inches (mm).

(Continued on next page)

Rev. 2138

Backshell Dimensions (Continued from previous page)

Dash No.	Shell Size	V Thread Class 2B	N	D	B	L	CC Cable Clearance	
							Min	Max
011	14	.813-20 UNEF	.719 (18.3)	1.150 (29.2)	1.200 (30.5)	3.477 (88.3)	.375 (9.5)	.500 (12.7)
012	14	.813-20 UNEF	.719 (18.3)	1.150 (29.2)	1.250 (31.8)	3.477 (88.3)	.500 (12.7)	.625 (15.9)
013	16	.938-20 UNEF	.774 (19.7)	1.250 (31.8)	1.000 (25.4)	3.567 (90.6)	.125 (3.2)	.250 (6.4)
014	16	.938-20 UNEF	.774 (19.7)	1.250 (31.8)	1.100 (27.9)	3.567 (90.6)	.250 (6.4)	.375 (9.5)
015	16	.938-20 UNEF	.774 (19.7)	1.250 (31.8)	1.200 (30.5)	3.567 (90.6)	.375 (9.5)	.500 (12.7)
016	16	.938-20 UNEF	.774 (19.7)	1.250 (31.8)	1.250 (31.8)	3.567 (90.6)	.500 (12.7)	.625 (15.9)
017	16	.938-20 UNEF	.774 (19.7)	1.250 (31.8)	1.400 (35.6)	3.567 (90.6)	.625 (15.9)	.750 (19.1)
018	18	1.063-18 UNEF	.854 (21.7)	1.400 (35.6)	1.100 (27.9)	3.737 (94.9)	.250 (6.4)	.375 (9.5)
019	18	1.063-18 UNEF	.854 (21.7)	1.400 (35.6)	1.200 (30.5)	3.737 (94.9)	.375 (9.5)	.500 (12.7)
020	18	1.063-18 UNEF	.854 (21.7)	1.400 (35.6)	1.250 (31.8)	3.737 (94.9)	.500 (12.7)	.625 (15.9)
021	18	1.063-18 UNEF	.854 (21.7)	1.400 (35.6)	1.400 (35.6)	3.737 (94.9)	.625 (15.9)	.750 (19.1)
022	18	1.063-18 UNEF	.854 (21.7)	1.400 (35.6)	1.500 (38.1)	3.737 (94.9)	.750 (19.1)	.875 (22.2)
023	20	1.188-18 UNEF	.899 (22.8)	1.550 (39.4)	1.100 (27.9)	3.737 (94.9)	.250 (6.4)	.375 (9.5)
024	20	1.188-18 UNEF	.899 (22.8)	1.550 (39.4)	1.200 (30.5)	3.737 (94.9)	.375 (9.5)	.500 (12.7)
025	20	1.188-18 UNEF	.899 (22.8)	1.550 (39.4)	1.250 (31.8)	3.737 (94.9)	.500 (12.7)	.625 (15.9)
026	20	1.188-18 UNEF	.899 (22.8)	1.550 (39.4)	1.400 (35.6)	3.737 (94.9)	.625 (15.9)	.750 (19.1)
027	20	1.188-18 UNEF	.899 (22.8)	1.550 (39.4)	1.500 (38.1)	3.737 (94.9)	.750 (19.1)	.875 (22.2)
028	20	1.188-18 UNEF	.899 (22.8)	1.550 (39.4)	1.650 (41.9)	3.737 (94.9)	.875 (22.2)	1.000 (25.4)
029	22	1.313-18 UNEF	1.009 (25.6)	1.650 (41.9)	1.100 (27.9)	3.847 (97.7)	.250 (6.4)	.375 (9.5)
030	22	1.313-18 UNEF	1.009 (25.6)	1.650 (41.9)	1.200 (30.5)	3.847 (97.7)	.375 (9.5)	.500 (12.7)
031	22	1.313-18 UNEF	1.009 (25.6)	1.650 (41.9)	1.250 (31.8)	3.847 (97.7)	.500 (12.7)	.625 (15.9)
032	22	1.313-18 UNEF	1.009 (25.6)	1.650 (41.9)	1.400 (35.6)	3.847 (97.7)	.625 (15.9)	.750 (19.1)
033	22	1.313-18 UNEF	1.009 (25.6)	1.650 (41.9)	1.500 (38.1)	3.847 (97.7)	.750 (19.1)	.875 (22.2)
034	22	1.313-18 UNEF	1.009 (25.6)	1.650 (41.9)	1.650 (41.9)	3.847 (97.7)	.875 (22.2)	1.000 (25.4)
035	22	1.313-18 UNEF	1.009 (25.6)	1.650 (41.9)	1.750 (44.5)	3.847 (97.7)	1.000 (25.4)	1.125 (28.6)
036	24	1.438-18 UNEF	1.024 (26.0)	1.850 (47.0)	1.200 (30.5)	3.847 (97.7)	.375 (9.5)	.500 (12.7)
037	24	1.438-18 UNEF	1.024 (26.0)	1.850 (47.0)	1.250 (31.8)	3.847 (97.7)	.500 (12.7)	.625 (15.9)
038	24	1.438-18 UNEF	1.024 (26.0)	1.850 (47.0)	1.400 (35.6)	3.847 (97.7)	.625 (15.9)	.750 (19.1)
039	24	1.438-18 UNEF	1.024 (26.0)	1.850 (47.0)	1.500 (38.1)	3.847 (97.7)	.750 (19.1)	.875 (22.2)
040	24	1.438-18 UNEF	1.024 (26.0)	1.850 (47.0)	1.650 (41.9)	3.847 (97.7)	.875 (22.2)	1.000 (25.4)
041	24	1.438-18 UNEF	1.024 (26.0)	1.850 (47.0)	1.750 (44.5)	3.847 (97.7)	1.000 (25.4)	1.125 (28.6)
042	24	1.438-18 UNEF	1.024 (26.0)	1.850 (47.0)	1.900 (48.3)	3.847 (97.7)	1.125 (28.6)	1.250 (31.8)

Dimensions are in inches (mm).

