

# Jam Nut Receptacle (Hermetic)

DS Series • MIL-DTL-38999 Series II Style Connectors



## DS13 Compatibility

Compatible Brands	Mates
MIL-DTL-38999 Series II	MS27473, MS27484
Aero / Conesys	AE273, AE284
Amphenol	JT06, JTG06
ITT Cannon	KJ6, KJG6
Souriau	8T6

## DS13 HA 10-5 P N - 02

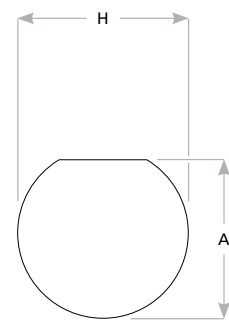
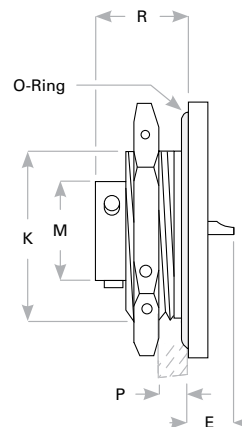
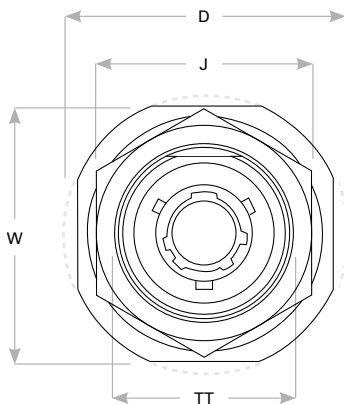
- 1 **BASIC PART NUMBER**  
**DS13** Hermetic jam nut receptacle  
 Helium leakage <math> < 1.0 \times 10^{-6}</math> cc<sup>3</sup>/sec at 15 psi (1.1 kg/cm<sup>2</sup>). Insert rated to 14,000 psi (984 kg/cm<sup>2</sup>) when precision welded or soldered.
- 2 **MATERIAL & FINISH**  
**HA** Stainless steel, passivated  
**HB** Stainless steel, electrodeposited nickel
- 3 **SHELL SIZE & INSERT ARRANGEMENT**  
 See Insert Arrangement Selection table, p. R-16  
 (Verify hermetic availability on table)
- 4 **CONTACT STYLE**  
**P** Pin, gold plated  
**H\*** Socket, gold plated
- 5 **ALTERNATE KEYING**  
**N** NORMAL or A, B, C, D
- 6 **OPTIONAL ACCESSORY KIT (OMIT FOR NONE)**  
**02** Protective cover

\* Please consult an authorized distributor for lead time and minimum quantity requirements.

## Receptacle Dimensions

Shell Size	W	D Max	J Hex	TT	R	K	M	E	Q Thread Class 2A	P Max Panel	H	A
8	1.250 (31.8)	1.390 (35.3)	1.062 (27.0)	.884 (22.5)	.438 (11.1)	.830 (21.1)	.473 (12.0)	.244 (6.2)	.8750-20UNEF	.109 (2.8)	.885 (22.5)	.830 (21.1)
10	1.375 (34.9)	1.515 (38.5)	1.188 (30.2)	1.007 (25.6)	.438 (11.1)	.955 (24.3)	.590 (15.0)	.244 (6.2)	1.0000-20UNEF	.109 (2.8)	1.010 (25.7)	.955 (24.3)
12	1.500 (38.1)	1.640 (41.7)	1.312 (33.3)	1.134 (28.8)	.438 (11.1)	1.084 (27.5)	.750 (19.1)	.244 (6.2)	1.1250-18UNEF	.109 (2.8)	1.135 (28.8)	1.085 (27.6)
14	1.625 (41.3)	1.765 (44.8)	1.438 (36.5)	1.259 (32.0)	.438 (11.1)	1.208 (30.7)	.875 (22.2)	.244 (6.2)	1.2500-18UNEF	.109 (2.8)	1.260 (32.0)	1.210 (30.7)
16	1.781 (45.2)	1.953 (49.6)	1.562 (39.7)	1.384 (35.2)	.438 (11.1)	1.333 (33.9)	1.000 (25.4)	.244 (6.2)	1.3750-18UNEF	.109 (2.8)	1.385 (35.2)	1.335 (33.9)
18	1.890 (48.0)	2.031 (51.6)	1.688 (42.9)	1.507 (38.3)	.438 (11.1)	1.459 (37.1)	1.125 (28.6)	.244 (6.2)	1.5000-18UNEF	.109 (2.8)	1.510 (38.4)	1.460 (37.1)
20	2.016 (51.2)	2.156 (54.8)	1.812 (46.0)	1.634 (41.5)	.464 (11.8)	1.576 (40.0)	1.250 (31.8)	.218 (5.5)	1.6250-18UNEF	.109 (2.8)	1.635 (41.5)	1.585 (40.3)
22	2.140 (54.4)	2.280 (57.9)	2.000 (50.8)	1.759 (44.7)	.464 (11.8)	1.701 (43.2)	1.375 (34.9)	.218 (5.5)	1.7500-18UNS	.109 (2.8)	1.760 (44.7)	1.709 (43.4)
24	2.265 (57.5)	2.405 (61.1)	2.125 (54.0)	1.884 (47.9)	.464 (11.8)	1.826 (46.4)	1.500 (38.1)	.218 (5.5)	1.8750-16UN	.109 (2.8)	1.885 (47.9)	1.835 (46.6)

Dimensions are in inches (mm).



Panel Cutout

Rev. 1604.1