

MS27473/MS27484 Connector Type Datasheet

DS Series • MIL-DTL-38999 Series II Style Connectors



DS06 N 14-35 P N - R2(019) - 01

- 1 **BASIC PART NUMBER**
DS06 Plug
DS05 Plug with RFI grounding fingers
- 2 **MATERIAL & FINISH**
N Aluminum, electroless nickel
W Aluminum, olive drab cadmium
- 3 **SHELL SIZE & INSERT ARRANGEMENT**
 See Insert Arrangement Selection table, p. R-16
- 4 **CONTACT STYLE**
P Pin
S Socket
- 5 **ALTERNATE KEYING**
N NORMAL or A, B, C, D
- 6 **OPTIONAL BACKSHELL KIT (OMIT FOR NONE)**
B2 Straight strain relief (self-locking), p. R-36
R2() Straight EMI/RFI environmental, p. R-38
 (Add dash number for appropriate shell size, see p. R-38)
K2 Boot adapter, p. R-50, & straight shrink boot, p. R-48
- 7 **OPTIONAL ACCESSORY KIT (OMIT FOR NONE)**
01 Protective cover

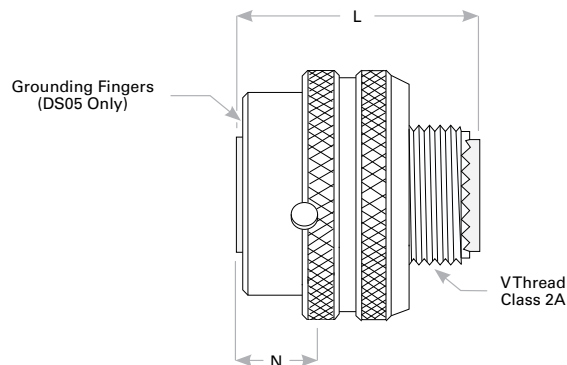
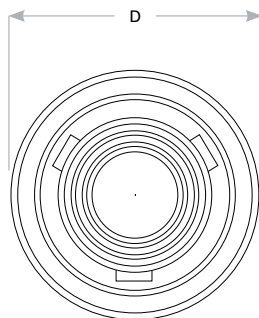
DS06 Cross-Reference & Compatibility

Compatible Brands	Equivalents	Mates
MIL-DTL-38999 Series II	MS27473, MS27484	MS27472, MS27474, MS27497, MS27499, MS27508, MS27513
Aero / Conesys	AE273, AE284	AE208, AE213, AE272, AE274, AE297, AE299
Amphenol	JT06, JTG06	JT00, JTPQ00, JT01, JT02, JTP02, JT07
ITT Cannon	KJ6, KJG6	KJ0, KJ2, KJ3, KJ5, KJ7
Souriau	8T6	8T1, 8T2, 8L3, 8T7

Plug Dimensions

Shell Size	D Max	L Max	N	V Thread Class 2A
8	.750 (19.1)	.916 (23.3)	.257 (6.5)	.4375-28
10	.859 (21.8)	.916 (23.3)	.257 (6.5)	.5625-24
12	1.031 (26.2)	.916 (23.3)	.257 (6.5)	.6875-24
14	1.156 (29.4)	.916 (23.3)	.257 (6.5)	.8125-20
16	1.281 (32.5)	.916 (23.3)	.257 (6.5)	.9375-20
18	1.406 (35.7)	.916 (23.3)	.257 (6.5)	1.0625-18
20	1.531 (38.9)	.916 (23.3)	.257 (6.5)	1.1875-18
22	1.641 (41.7)	.916 (23.3)	.257 (6.5)	1.3125-18
24	1.766 (44.8)	.984 (25.0)	.257 (6.5)	1.4375-18

Dimensions are in inches (mm).



Note: See part builder (p. R-14) for additional kit options.

DS