

MS27474 Connector Type Datasheet

DS Series • MIL-DTL-38999 Series II Style Connectors

DS07 N 14-35 S N - R2(019) - 02

- 1 **BASIC PART NUMBER**
DS07 Jam nut receptacle
- 2 **MATERIAL & FINISH**
N Aluminum, electroless nickel
W Aluminum, olive drab cadmium
- 3 **SHELL SIZE & INSERT ARRANGEMENT**
See Insert Arrangement Selection table, p. R-16
- 4 **CONTACT STYLE**
P Pin
S Socket
- 5 **ALTERNATE KEYING**
N NORMAL or A, B, C, D
- 6 **OPTIONAL BACKSHELL KIT (OMIT FOR NONE)**
B2 Straight strain relief (self-locking), p. R-36
R2() Straight EMI/RFI environmental, p. R-38
(Add dash number for appropriate shell size, see p. R-38)
K2 Boot adapter, p. R-50, & straight shrink boot, p. R-48
- 7 **OPTIONAL ACCESSORY KIT (OMIT FOR NONE)**
02 Protective cover



DS07 Cross-Reference & Compatibility

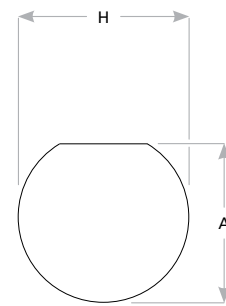
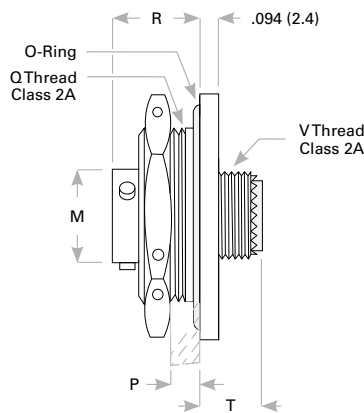
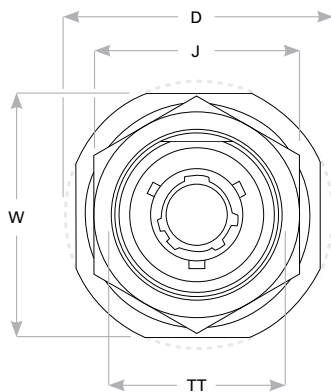
Compatible Brands	Equivalents	Mates
MIL-DTL-38999 Series II	MS27474	MS27473, MS27484
Aero / Conesys	AE274	AE273, AE284
Amphenol	JT07	JT06, JTG06
ITT Cannon	KJ7	KJ6, KJG6
Souriau	8T7	8T6

Note: See part builder (p. R-14) for additional kit options.

Receptacle Dimensions

Shell Size	W	D	J	R	T	TT	M	Q Thread Class 2A	V Thread Class 2A	P Max Panel	H	A
8	1.250 (31.8)	1.390 (35.3)	1.062 (27.0)	.438 (11.1)	.453 (11.6)	.884 (22.5)	.473 (12.0)	.8750-20 UNEF	.4375-28 UNEF	.109 (2.8)	.885 (22.5)	.830 (21.1)
10	1.375 (34.9)	1.515 (38.5)	1.188 (30.2)	.438 (11.1)	.453 (11.6)	1.007 (25.6)	.590 (15.0)	1.0000-20 UNEF	.5635-24 UNEF	.109 (2.8)	1.010 (25.7)	.955 (24.3)
12	1.500 (38.1)	1.640 (41.7)	1.312 (33.3)	.438 (11.1)	.453 (11.6)	1.134 (28.8)	.750 (19.1)	1.1250-18 UNEF	.6875-24 UNEF	.109 (2.8)	1.135 (28.8)	1.085 (27.6)
14	1.625 (41.3)	1.765 (44.8)	1.438 (36.5)	.438 (11.1)	.453 (11.6)	1.259 (32.0)	.875 (22.2)	1.2500-18 UNEF	.8125-20 UNEF	.109 (2.8)	1.260 (32.0)	1.210 (30.7)
16	1.781 (45.2)	1.953 (49.6)	1.562 (39.7)	.438 (11.1)	.453 (11.6)	1.384 (35.2)	1.000 (25.4)	1.3750-18 UNEF	.9375-20 UNEF	.109 (2.8)	1.385 (35.2)	1.335 (33.9)
18	1.890 (48.0)	2.031 (51.6)	1.688 (42.9)	.438 (11.1)	.453 (11.6)	1.507 (38.3)	1.125 (28.6)	1.5000-18 UNEF	1.0625-18 UNEF	.109 (2.8)	1.510 (38.4)	1.460 (37.1)
20	2.016 (51.2)	2.156 (54.8)	1.812 (46.0)	.464 (11.8)	.422 (10.7)	1.634 (41.5)	1.250 (31.8)	1.6250-18 UNEF	1.1875-18 UNEF	.109 (2.8)	1.635 (41.5)	1.585 (40.3)
22	2.140 (54.4)	2.280 (57.9)	2.000 (50.8)	.464 (11.8)	.422 (10.7)	1.759 (44.7)	1.375 (34.9)	1.7500-18 UNEF	1.3125-18 UNEF	.109 (2.8)	1.760 (44.7)	1.709 (43.4)
24	2.265 (57.5)	2.405 (61.1)	2.125 (54.0)	.464 (11.8)	.422 (10.7)	1.884 (47.9)	1.500 (38.1)	1.8750-16 UNEF	1.4375-18 UNEF	.109 (2.8)	1.885 (47.9)	1.835 (46.6)

Dimensions are in inches (mm).



Panel Cutout

Rev. 1825