

MS27499/MS27513 Connector Type

DS Series • MIL-DTL-38999 Series II Style Connectors



DS02 N 14-35 S N - 03

- 1 **BASIC PART NUMBER**
DS02 Box mount receptacle (front mount)
- 2 **MATERIAL & FINISH**
N Aluminum, electroless nickel
W Aluminum, olive drab cadmium
- 3 **SHELL SIZE & INSERT ARRANGEMENT**
See Insert Arrangement Selection table, p. R-16
- 4 **CONTACT STYLE**
P Pin
S Socket
- 5 **ALTERNATE KEYING**
N NORMAL or A, B, C, D
- 6 **OPTIONAL ACCESSORY KIT (OMIT FOR NONE)**
02 Protective cover + mounting gasket
03 02 kit + mounting bracket + sealing screws

DS02 Cross-Reference & Compatibility

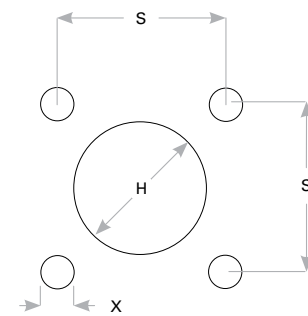
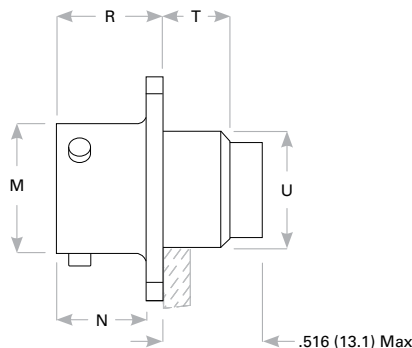
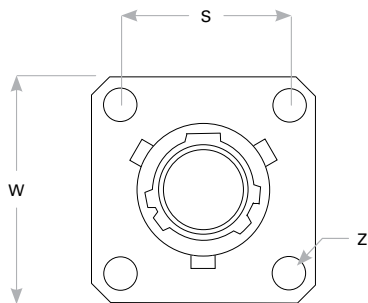
Compatible Brands	Equivalents	Mates
MIL-DTL-38999 Series II	MS27499, MS27513	MS27473, MS27484
Aero / Conesys	AE299	AE273, AE284
Amphenol	JT02	JT06, JTG06
ITT Cannon	KJ2	KJ6, KJG6
Souriau	8T2	8T6

Note: See part builder (p. R-14) for additional kit options.

Receptacle Dimensions

Shell Size	W	Z	R	N	T	M	U	S	X	H Front Mount
8	.812 (20.6)	.120 (3.1)	.380 (9.7)	.322 (8.2)	.286 (7.3)	.473 (12.0)	.438 (11.1)	.594 (15.1)	.130 (3.3)	.516 (13.1)
10	.938 (23.8)	.120 (3.1)	.380 (9.7)	.322 (8.2)	.286 (7.3)	.590 (15.0)	.563 (14.3)	.719 (18.3)	.130 (3.3)	.625 (15.9)
12	1.031 (26.2)	.120 (3.1)	.380 (9.7)	.322 (8.2)	.286 (7.3)	.750 (19.1)	.688 (17.5)	.812 (20.6)	.130 (3.3)	.750 (19.1)
14	1.125 (28.6)	.120 (3.1)	.380 (9.7)	.322 (8.2)	.286 (7.3)	.875 (22.2)	.813 (20.7)	.906 (23.0)	.130 (3.3)	.906 (23.0)
16	1.219 (31.0)	.120 (3.1)	.380 (9.7)	.322 (8.2)	.286 (7.3)	1.000 (25.4)	.938 (23.8)	.969 (24.6)	.130 (3.3)	1.016 (25.8)
18	1.312 (33.3)	.120 (3.1)	.380 (9.7)	.322 (8.2)	.286 (7.3)	1.125 (28.6)	1.047 (26.6)	1.062 (27.0)	.130 (3.3)	1.141 (29.0)
20	1.438 (36.5)	.120 (3.1)	.380 (9.7)	.322 (8.2)	.286 (7.3)	1.250 (31.8)	1.172 (29.8)	1.156 (29.4)	.130 (3.3)	1.266 (32.2)
22	1.562 (39.7)	.120 (3.1)	.380 (9.7)	.322 (8.2)	.286 (7.3)	1.375 (34.9)	1.297 (32.9)	1.250 (31.8)	.130 (3.3)	1.375 (34.9)
24	1.688 (42.9)	.147 (3.7)	.380 (9.7)	.322 (8.2)	.286 (7.3)	1.500 (38.1)	1.422 (36.1)	1.375 (34.9)	.154 (3.9)	1.484 (37.7)

Dimensions are in inches (mm).



Panel Cutout

Rev. 1825