

Jam Nut Receptacle

TX Series • MIL-DTL-38999 Series III Style Connectors



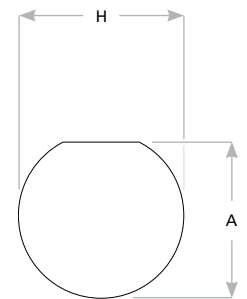
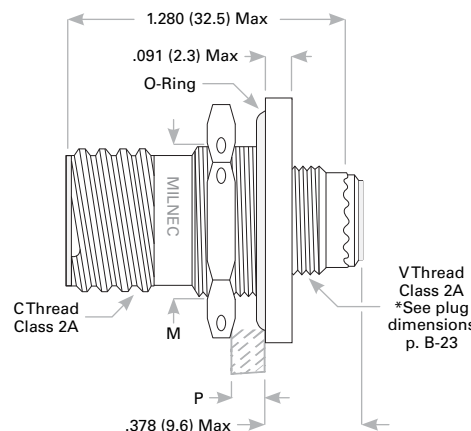
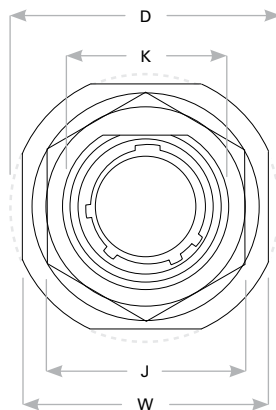
TX07 Cross-Reference & Compatibility

| Compatible Brands | Equivalents | Mates |
|--------------------------|--------------|----------------------------|
| MIL-DTL-38999 Series III | D38999/24 | D38999/26 |
| Aero / Conesys | AE324 | AE326 |
| Amphenol | TV07, TVPS07 | TV06, TVS06, CTV06, CTVS06 |
| Deutsch | DTS24 | DTS26 |
| ITT Cannon | KJA7 | KJA6 |
| Souriau | 8D7 | 8D5, 8DS06G |

Receptacle Dimensions

| Shell Size | Military Shell Size | W | D | K | J | C Thread Class 2A | M | P Max Rear Panel† | H | A |
|------------|---------------------|--------------|--------------|--------------|--------------|---------------------|--------------|-------------------|--------------|--------------|
| 9 | A | 1.062 (27.0) | 1.199 (30.5) | .697 (17.7) | .875 (22.2) | .6250-0.1P-0.3L-TS | .669 (17.0) | .125 (3.2) | .700 (17.8) | .670 (17.0) |
| 11 | B | 1.250 (31.8) | 1.386 (35.2) | .822 (20.9) | 1.000 (25.4) | .7500-0.1P-0.3L-TS | .769 (19.5) | .125 (3.2) | .825 (21.0) | .771 (19.6) |
| 13 | C | 1.375 (34.9) | 1.511 (38.4) | 1.007 (25.6) | 1.188 (30.2) | .8750-0.1P-0.3L-TS | .955 (24.3) | .125 (3.2) | 1.010 (25.7) | .955 (24.3) |
| 15 | D | 1.500 (38.1) | 1.636 (41.6) | 1.134 (28.8) | 1.312 (33.3) | 1.0000-0.1P-0.3L-TS | 1.084 (27.5) | .125 (3.2) | 1.135 (28.8) | 1.085 (27.6) |
| 17 | E | 1.625 (41.3) | 1.761 (44.7) | 1.259 (32.0) | 1.438 (39.5) | 1.1875-0.1P-0.3L-TS | 1.208 (30.7) | .125 (3.2) | 1.260 (32.0) | 1.210 (30.7) |
| 19 | F | 1.812 (46.0) | 1.949 (49.5) | 1.384 (35.2) | 1.562 (39.7) | 1.2500-0.1P-0.3L-TS | 1.333 (33.9) | .125 (3.2) | 1.385 (35.2) | 1.335 (33.9) |
| 21 | G | 1.938 (49.2) | 2.073 (52.7) | 1.507 (38.3) | 1.688 (42.9) | 1.3750-0.1P-0.3L-TS | 1.459 (37.1) | .125 (3.2) | 1.510 (38.4) | 1.460 (37.1) |
| 23 | H | 2.062 (52.4) | 2.199 (55.9) | 1.634 (41.5) | 1.812 (46.0) | 1.5000-0.1P-0.3L-TS | 1.575 (40.0) | .125 (3.2) | 1.635 (41.5) | 1.585 (40.3) |
| 25 | J | 2.188 (55.6) | 2.323 (59.0) | 1.759 (44.7) | 2.000 (50.8) | 1.6250-0.1P-0.3L-TS | 1.709 (43.4) | .125 (3.2) | 1.760 (44.7) | 1.710 (43.4) |

Dimensions are in inches (mm). † Max panel thickness will ensure proper coupling clearance.



Panel Cutout

TX07 K 13-35 S N - R2(015) - 02

- 1 **BASIC PART NUMBER**
TX07 Jam nut receptacle
- 2 **MATERIAL & FINISH**
K Stainless steel, passivated (firewall)
KS Stainless steel, electrodeposited nickel (firewall)
L Stainless steel, electrodeposited nickel
- 3 **SHELL SIZE & INSERT ARRANGEMENT**
See Insert Arrangement Selection table, p. B-19
- 4 **CONTACT STYLE**
P Pin
S Socket
- 5 **ALTERNATE KEYING**
N NORMAL or A, B, C, D, E
- 6 **OPTIONAL BACKSHELL KIT (OMIT FOR NONE)**
B2 Straight strain relief (self-locking), p. B-33
R2() Straight EMI/RFI environmental, p. B-35
(Add dash number for appropriate shell size, see p. B-35)
K2 Boot adapter, p. B-47, & straight shrink boot, p. B-45
- 7 **OPTIONAL ACCESSORY KIT (OMIT FOR NONE)**
02 Protective cover

Note: See part builder in TX Series catalog (p. B-17) for more kit options.

Rev. 1301.1