

## TXAS K 23-35 P N - 02

- 1 **BASIC PART NUMBER**  
TXAS Connector saver
- 2 **MATERIAL & FINISH**  
K Stainless steel, passivated (firewall)  
KS Stainless steel, electrodeposited nickel (firewall)  
L Stainless steel, electrodeposited nickel
- 3 **SHELL SIZE & INSERT ARRANGEMNT**  
See Insert Arrangement Selection table, p. B-19
- 4 **CONTACT STYLE**  
P Pins on plug side (sockets on recept. side)  
S Sockets on plug side (pins on recept. side)
- 5 **ALTERNATE KEYING**  
N NORMAL or A, B, C, D, E
- 6 **OPTIONAL ACCESSORY KIT (OMIT FOR NONE)**  
02 Protective covers (2x)



### TXAS Compatibility

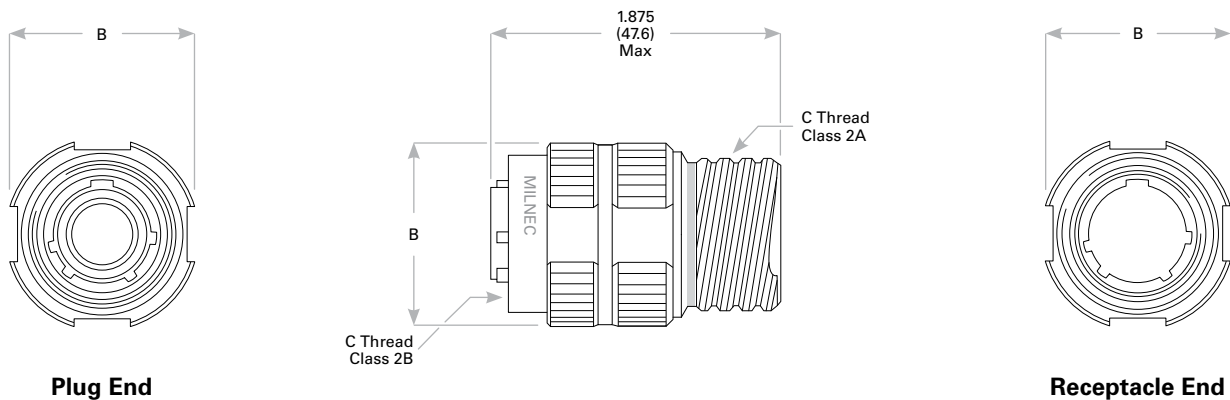
| Compatible Brands        | Plug Side Mates              | Receptacle Side Mates      |
|--------------------------|------------------------------|----------------------------|
| MIL-DTL-38999 Series III | D38999/20, D38999/24         | D38999/26                  |
| Aero / Conesys           | AE320, AE324                 | AE326                      |
| Amphenol                 | TVP00, TVPS00, TVP07, TVPS07 | TV06, TVS06, CTV06, CTVS06 |
| Deutsch                  | DTS20, DTS24                 | DTS26                      |
| ITT Cannon               | KJA0, KJA7                   | KJA6                       |
| Souriau                  | 8D0, 8D1, 8D7                | 8D5, 8DS06G                |

**Note:** See part builder in TX Series catalog (p. B-17) for more kit options.

### Connector Saver Dimensions

| Shell Size | Military Shell Size | C Thread Class 2A/B   | B            |
|------------|---------------------|-----------------------|--------------|
| 9          | A                   | .6250-0.1P-0.3L-TS-2  | .859 (21.8)  |
| 11         | B                   | .7500-0.1P-0.3L-TS-2  | .969 (24.6)  |
| 13         | C                   | .8750-0.1P-0.3L-TS-2  | 1.141 (29.0) |
| 15         | D                   | 1.0000-0.1P-0.3L-TS-2 | 1.266 (32.2) |
| 17         | E                   | 1.1875-0.1P-0.3L-TS-2 | 1.391 (35.3) |
| 19         | F                   | 1.2500-0.1P-0.3L-TS-2 | 1.500 (38.1) |
| 21         | G                   | 1.3750-0.1P-0.3L-TS-2 | 1.625 (41.3) |
| 23         | H                   | 1.5000-0.1P-0.3L-TS-2 | 1.750 (44.5) |
| 25         | J                   | 1.6250-0.1P-0.3L-TS-2 | 1.875 (47.6) |

Dimensions are in inches (mm).



Rev. 1301.1