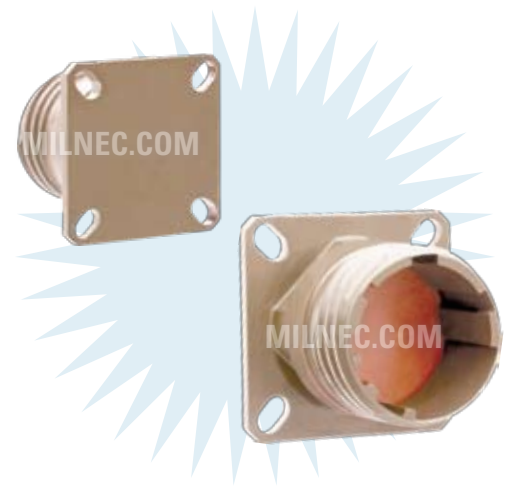


Stowage Receptacle

TX Series • MIL-DTL-38999 Series III Style Connectors

TXCD - 15 K - 03

- 1 **BASIC PART NUMBER**
TXCD Stowage receptacle
- 2 **SHELL SIZE**
See Stowage Receptacle Dimensions table below
- 3 **MATERIAL & FINISH**
K Stainless steel, passivated (firewall)
L Stainless steel, electrodeposited nickel
- 4 **OPTIONAL ACCESSORY KIT (OMIT FOR NONE)**
02 Protective cover + mounting gasket
03 02 kit + mounting bracket + sealing screws



Note: See part builder in TX Series catalog (p. B-17) for more kit options.

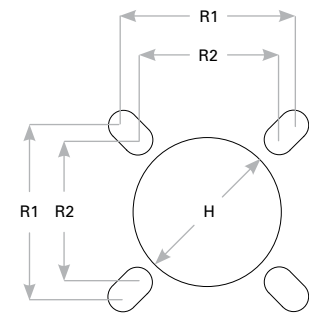
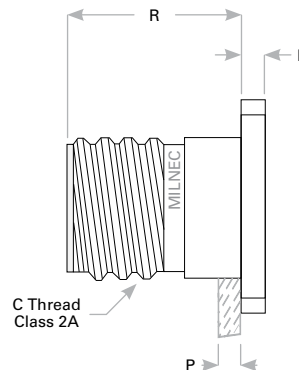
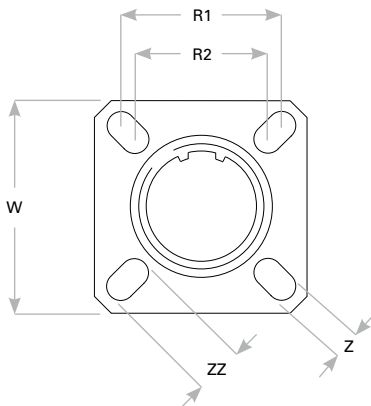
TXCD Compatibility

Compatible Brands	Plugs
MIL-DTL-38999 Series III	D38999/26
Aero / Conesys	AE326
Amphenol	TV06, TVS06, CTV06, CTVS06
Deutsch	DTS26
ITT Cannon	KJA6
Souriau	8D5, 8DS06G

Stowage Receptacle Dimensions

Shell Size	Military Shell Size	W	ZZ	Z	C Thread Class 2A	R	F	P Max Rear Panel [†]	R1	R2	H
9	A	.938 (23.8)	.216 (5.5)	.128 (3.3)	.6250-0.1P-0.3L-TS	.822 (20.9)	.098 (2.5)	.234 (5.9)	.719 (18.3)	.594 (15.1)	.656 (16.7)
11	B	1.031 (26.2)	.194 (4.9)	.128 (3.3)	.7500-0.1P-0.3L-TS	.822 (20.9)	.098 (2.5)	.234 (5.9)	.812 (20.6)	.719 (18.3)	.796 (20.2)
13	C	1.125 (28.6)	.194 (4.9)	.128 (3.3)	.8750-0.1P-0.3L-TS	.822 (20.9)	.098 (2.5)	.234 (5.9)	.906 (23.0)	.812 (20.6)	.922 (23.4)
15	D	1.219 (31.0)	.173 (4.4)	.128 (3.3)	1.0000-0.1P-0.3L-TS	.822 (20.9)	.098 (2.5)	.234 (5.9)	.969 (24.6)	.906 (23.0)	1.047 (26.6)
17	E	1.312 (33.3)	.194 (4.9)	.128 (3.3)	1.1875-0.1P-0.3L-TS	.822 (20.9)	.098 (2.5)	.234 (5.9)	1.062 (27.0)	.969 (24.6)	1.219 (31.0)
19	F	1.438 (36.5)	.194 (4.9)	.128 (3.3)	1.2500-0.1P-0.3L-TS	.822 (20.9)	.098 (2.5)	.234 (5.9)	1.156 (29.4)	1.062 (27.0)	1.297 (32.9)
21	G	1.562 (39.7)	.194 (4.9)	.128 (3.3)	1.3750-0.1P-0.3L-TS	.791 (20.1)	.125 (3.2)	.234 (5.2)	1.250 (31.8)	1.156 (29.4)	1.422 (36.1)
23	H	1.688 (42.9)	.242 (6.1)	.154 (3.9)	1.5000-0.1P-0.3L-TS	.791 (20.1)	.125 (3.2)	.234 (5.2)	1.375 (34.9)	1.250 (31.8)	1.547 (39.3)
25	J	1.812 (46.0)	.242 (6.1)	.154 (3.9)	1.6250-0.1P-0.3L-TS	.791 (20.1)	.125 (3.2)	.234 (5.2)	1.500 (38.1)	1.375 (34.9)	1.672 (42.5)

Dimensions are in inches (mm). [†] Max panel thickness applies only to rear mount applications to ensure proper coupling clearance.



Panel Cutout

Kits with 03 accessory option will use R1 mounting hole positions.

Rev. 1301.1

TX