

# Thru-Bulkhead Receptacle

TX Series • MIL-DTL-38999 Series III Style Connectors



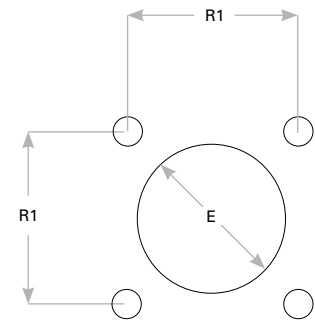
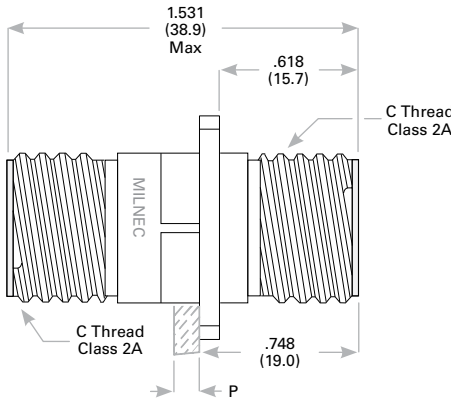
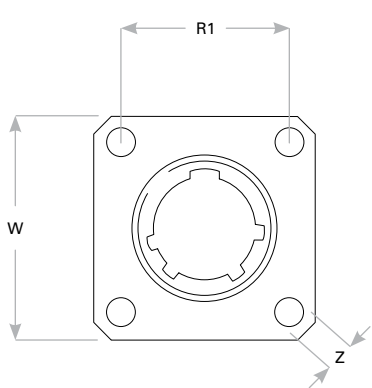
## TX22 Compatibility

Compatible Brands	Mates
MIL-DTL-38999 Series III	D38999/26
Aero / Conesys	AE326
Amphenol	TV06, TVS06, CTV06, CTVS06
Deutsch	DTS26
ITT Cannon	KJA6
Souriau	8D5, 8DS06G

## Receptacle Dimensions

Shell Size	Military Shell Size	C Thread Class 2A	W	Z	R1	E Feed-Thru Mount	P Max Rear Panel*
9	A	.6250-0.1 P-0.3L-2A	.938 (23.8)	.128 (3.3)	.719 (18.3)	.656 (16.7)	See Option 5 for Panel Range
11	B	.7500-0.1 P-0.3L-2A	1.031 (26.2)	.128 (3.3)	.812 (20.6)	.796 (20.2)	
13	C	.8750-0.1 P-0.3L-2A	1.125 (28.6)	.128 (3.3)	.906 (23.0)	.922 (23.4)	
15	D	1.0000-0.1 P-0.3L-2A	1.219 (31.0)	.128 (3.3)	.969 (24.6)	1.047 (26.6)	
17	E	1.1875-0.1 P-0.3L-2A	1.312 (33.3)	.128 (3.3)	1.062 (27.0)	1.219 (31.0)	
19	F	1.2500-0.1 P-0.3L-2A	1.438 (36.5)	.128 (3.3)	1.156 (29.4)	1.297 (32.9)	
21	G	1.3750-0.1 P-0.3L-2A	1.562 (39.7)	.128 (3.3)	1.250 (31.8)	1.422 (36.1)	
23	H	1.5000-0.1 P-0.3L-2A	1.688 (42.9)	.156 (4.0)	1.375 (34.9)	1.547 (39.3)	
25	J	1.6250-0.1 P-0.3L-2A	1.812 (46.0)	.156 (4.0)	1.500 (38.1)	1.672 (42.5)	

Dimensions are in inches (mm). † Max panel thickness will ensure proper coupling clearance.



### Panel Cutout

Kits with 03 accessory option will use R1 mounting hole positions.

## TX22 K 15-35 S 1 N - 03

- 1 **BASIC PART NUMBER**  
TX22 Thru-bulkhead receptacle
- 2 **MATERIAL & FINISH**  
K Stainless steel, passivated (firewall)  
KS Stainless steel, electrodeposited nickel (firewall)  
L Stainless steel, electrodeposited nickel
- 3 **SHELL SIZE & INSERT ARRANGEMENT**  
See Insert Arrangement Selection table, p. B-19
- 4 **CONTACT STYLE**  
P Pins on flange side, sockets opposite  
S Sockets on flange side, pins opposite
- 5 **PANEL RANGE**  
1 .063 (1.6) Min — .125 (3.2) Max  
2 .063 (1.6) Min — .250 (6.4) Max  
3 .063 (1.6) Min — .500 (12.7) Max
- 6 **ALTERNATE KEYING**  
N NORMAL or A, B, C, D, E
- 7 **OPTIONAL ACCESSORY KIT (OMIT FOR NONE)**  
02 Protective cover (2x)  
03 02 kit + mounting bracket + sealing screws

Note: See part builder in TX Series catalog (p. B-17) for more kit options.

TX