

MS3100 Connector Type Datasheet

PM Series • MIL-DTL-5015 Solder Type Connectors



PM00 F 16S-1 S N - 02

- 1 **BASIC PART NUMBER**
PM00 Wall mount recept. w/ integrated backshell
- 2 **MATERIAL & FINISH**
F Aluminum, olive drab cadmium
- 3 **SHELL SIZE & INSERT ARRANGEMENT**
See Insert Arrangement Selection table, p. G-11
- 4 **CONTACT STYLE**
P Pin
S Socket
- 5 **INSERT ROTATION**
N Normal or W, X, Y, Z, see p. G-11 for availability
- 6 **OPTIONAL ACCESSORY KIT (OMIT FOR NONE)**
02 Protective cover + mounting gasket + cable bushing
03 02 kit + mounting bracket + sealing screws

PM00 Cross Reference & Compatibility

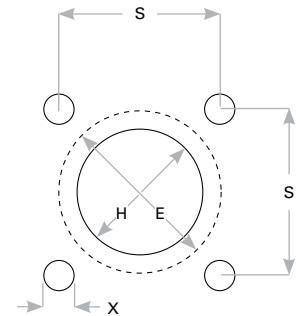
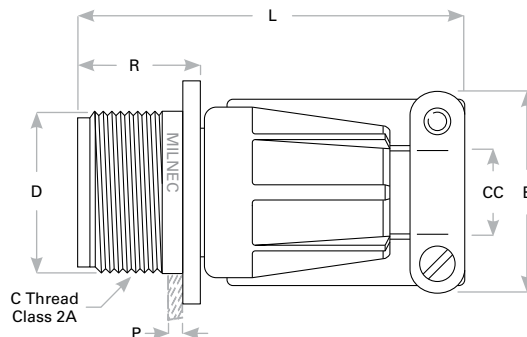
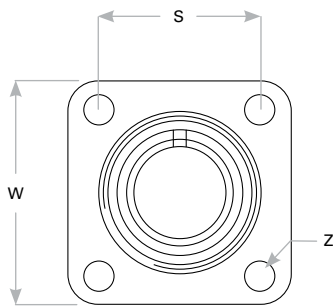
Compatible Brands	Equivalent	Mates
MIL-DTL-5015	MS3100	MS3106, MS3108
Amphenol	97-3100	97-3106, 97-3108
Array	AC3100	AC3106, AC3108
DDK	DMS3100	DMS3106, DMS3108
ITT Cannon	CA3100	CA3106, CA3108

Note: See part builder (p. G-10) for additional kit options.

Receptacle Dimensions

Size Shell	W	Z	C Thread Class 2A	L	R	D	B	CC Cable Clearance	P Max Rear Panel*	S	X	H Front Mount	E Rear Mount
10SL	1.000 (25.4)	.120 (3.0)	.6250-24 UNEF	2.129 (54.1)	.672 (17.1)	.625 (15.9)	.896 (22.8)	.281 (7.1)	.187 (4.8)	.719 (18.3)	.134 (3.4)	.646 (16.4)	.728 (18.5)
12S	1.094 (27.8)	.120 (3.0)	.7500-20UNEF	2.129 (54.1)	.672 (17.1)	.750 (19.1)	.896 (22.8)	.281 (7.1)	.187 (4.8)	.812 (20.6)	.134 (3.4)	.646 (16.4)	.854 (21.7)
14S	1.188 (30.2)	.120 (3.0)	.8750-20 UNEF	2.201 (55.9)	.672 (17.1)	.875 (22.2)	1.021 (25.9)	.406 (10.3)	.187 (4.8)	.906 (23.0)	.134 (3.4)	.776 (19.7)	.980 (24.9)
16S	1.281 (32.5)	.120 (3.0)	1.0000-20 UNEF	2.201 (55.9)	.672 (17.1)	1.000 (25.4)	1.151 (29.2)	.500 (12.7)	.187 (4.8)	.969 (24.6)	.134 (3.4)	.902 (22.9)	1.091 (27.7)
16	1.281 (32.5)	.120 (3.0)	1.0000-20 UNEF	2.524 (64.1)	.860 (21.8)	1.000 (25.4)	1.151 (29.2)	.500 (12.7)	.125 (3.2)	.969 (24.6)	.134 (3.4)	.902 (22.9)	1.091 (27.7)
18	1.375 (34.9)	.120 (3.0)	1.1250-18 UNEF	2.596 (65.9)	.891 (22.6)	1.125 (28.6)	1.242 (31.5)	.531 (13.5)	.125 (3.2)	1.063 (27.0)	.134 (3.4)	1.028 (26.1)	1.224 (31.1)
20	1.500 (38.1)	.120 (3.0)	1.2500-18 UNEF	2.654 (67.4)	.891 (22.6)	1.250 (31.8)	1.499 (38.1)	.656 (16.7)	.125 (3.2)	1.156 (29.4)	.134 (3.4)	1.161 (29.5)	1.358 (34.5)
22	1.625 (41.3)	.120 (3.0)	1.3750-18 UNEF	2.654 (67.4)	.891 (22.6)	1.375 (34.9)	1.499 (38.1)	.740 (18.8)	.125 (3.2)	1.250 (31.8)	.134 (3.4)	1.287 (32.7)	1.488 (37.8)
24	1.750 (44.5)	.147 (3.7)	1.5000-18 UNEF	2.885 (73.2)	.953 (24.2)	1.500 (38.1)	1.781 (45.2)	.781 (19.8)	.187 (4.8)	1.375 (34.9)	.154 (3.9)	1.417 (36.0)	1.626 (41.3)
28	2.000 (50.8)	.147 (3.7)	1.7500-18 UNS	2.885 (73.2)	.953 (24.2)	1.750 (44.5)	1.781 (45.2)	.922 (23.4)	.187 (4.8)	1.562 (39.7)	.154 (3.9)	1.654 (42.0)	1.854 (47.1)
32	2.250 (57.2)	.173 (4.4)	2.0000-18 UNS	2.943 (74.8)	1.031 (26.2)	2.000 (50.8)	2.087 (53.0)	1.156 (29.4)	.250 (6.4)	1.750 (44.5)	.177 (4.5)	1.902 (48.3)	2.118 (53.8)
36	2.500 (63.5)	.173 (4.4)	2.2500-16 UN	2.943 (74.8)	1.031 (26.2)	2.250 (57.2)	2.281 (57.9)	1.250 (31.8)	.250 (6.4)	1.938 (49.2)	.177 (4.5)	2.150 (54.6)	2.362 (60.0)

Dimensions are in inches (mm). * Max panel thickness applies only to rear mount applications to ensure proper coupling clearance.



Panel Cutout

Rev. 1944