

# MS3101 Connector Type Datasheet

PM Series • MIL-DTL-5015 Solder Type Connectors



## PM01 F 16S-1 S N - 02

- 1 **BASIC PART NUMBER**  
PM01 Cable mount recept. w/ integrated backshell
- 2 **MATERIAL & FINISH**  
F Aluminum, olive drab cadmium
- 3 **SHELL SIZE & INSERT ARRANGEMENT**  
See Insert Arrangement Selection table, p. G-11
- 4 **CONTACT STYLE**  
P Pin  
S Socket
- 5 **INSERT ROTATION**  
N Normal or W, X, Y, Z, see p. G-11 for availability
- 6 **OPTIONAL ACCESSORY KIT (OMIT FOR NONE)**  
02 Protective cover + cable bushing

### PM01 Cross Reference & Compatibility

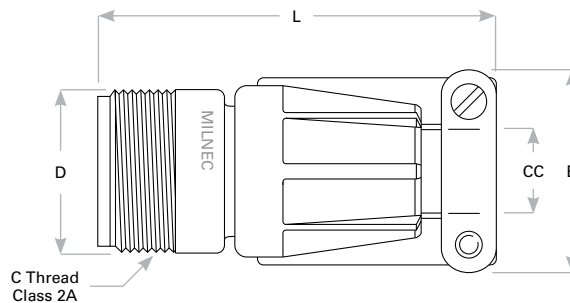
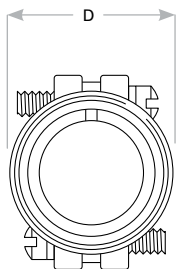
Compatible Brands	Equivalent	Mates
MIL-DTL-5015	MS3101	MS3106, MS3108
Amphenol	97-3101	97-3106, 97-3108
Array	AC3101	AC3106, AC3108
DDK	DMS3101	DMS3106, DMS3108
ITT Cannon	CA3101	CA3106, CA3108

Note: See part builder (p. G-10) for additional kit options.

### Receptacle Dimensions

Shell Size	D	C Thread Class 2A	L	B	CC Cable Clearance
10SL	.625 (15.9)	.6250-24 UNEF	2.129 (54.1)	.896 (22.8)	.281 (7.1)
12S	.750 (19.1)	.7500-20 UNEF	2.129 (54.1)	.896 (22.8)	.281 (7.1)
14S	.875 (22.2)	.8750-20 UNEF	2.201 (55.9)	1.021 (25.9)	.406 (10.3)
16S	1.000 (25.4)	1.0000-20 UNEF	2.201 (55.9)	1.151 (29.2)	.500 (12.7)
16	1.000 (25.4)	1.0000-20 UNEF	2.524 (64.1)	1.151 (29.2)	.500 (12.7)
18	1.125 (28.6)	1.1250-18 UNEF	2.596 (65.9)	1.242 (31.5)	.531 (13.5)
20	1.375 (34.9)	1.2500-18 UNEF	2.654 (67.4)	1.499 (38.1)	.656 (16.7)
22	1.500 (38.1)	1.3750-18 UNEF	2.654 (67.4)	1.499 (38.1)	.740 (18.8)
24	1.750 (44.5)	1.5000-18 UNEF	2.885 (73.3)	1.781 (45.2)	.781 (19.8)
28	2.000 (50.8)	1.7500-18 UNS	2.885 (73.3)	1.781 (45.2)	.922 (23.4)
32	2.250 (57.2)	2.0000-18 UNS	2.943 (74.8)	2.087 (53.0)	1.156 (29.4)
36	2.500 (63.5)	2.2500-16 UN	2.943 (74.8)	2.281 (57.9)	1.250 (31.8)

Dimensions are in inches (mm).



Rev. 1825