

# MS3106 Connector Type Datasheet

PM Series • MIL-DTL-5015 Solder Type Connectors



## PM06 F 16S-1 P N - 01

- 1 **BASIC PART NUMBER**  
PM06 Straight plug w/ integrated backshell
- 2 **MATERIAL & FINISH**  
F Aluminum, olive drab cadmium
- 3 **SHELL SIZE & INSERT ARRANGEMENT**  
See Insert Arrangement Selection table, p. G-11
- 4 **CONTACT STYLE**  
P Pin  
S Socket
- 5 **INSERT ROTATION**  
N Normal or W, X, Y, Z, see p. G-11 for availability
- 6 **OPTIONAL ACCESSORY KIT (OMIT FOR NONE)**  
01 Protective cover + cable bushing

### PM06 Cross Reference & Compatibility

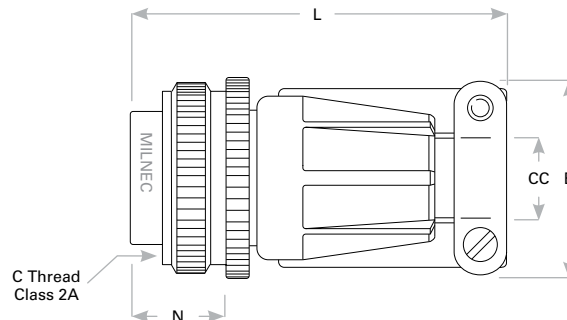
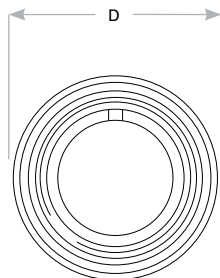
Compatible Brands	Equivalent	Mates
MIL-DTL-5015	MS3106	MS3100, MS3101, MS3102
Amphenol	97-3106	97-3100, 97-3101, 97-3102
Array	AC3106	AC3100, AC3101, AC3102
DDK	DMS3106	DMS3100, DMS3101, DMS3102
ITT Cannon	CA3106	CA3100, CA3101, CA3102

Note: See part builder (p. G-10) for additional kit options.

### Plug Dimensions

Shell Size	D	C Thread Class 2A	L	N	B	CC Cable Clearance
10SL	.946 (24.0)	.6250-24 UNEF	2.129 (54.1)	.531 (13.5)	.896 (22.8)	.281 (7.1)
12S	.995 (25.3)	.7500-20 UNEF	2.129 (54.1)	.531 (13.5)	.896 (22.8)	.281 (7.1)
14S	1.123 (28.5)	.8750-20 UNEF	2.201 (55.9)	.531 (13.5)	1.021 (25.9)	.406 (10.3)
16S	1.250 (31.8)	1.0000-20 UNEF	2.201 (55.9)	.531 (13.5)	1.151 (29.2)	.500 (12.7)
16	1.250 (31.8)	1.0000-20 UNEF	2.524 (64.1)	.719 (18.3)	1.151 (29.2)	.500 (12.7)
18	1.333 (33.9)	1.1250-18 UNEF	2.596 (65.9)	.719 (18.3)	1.242 (31.5)	.531 (13.5)
20	1.461 (37.1)	1.2500-18 UNEF	2.654 (67.4)	.719 (18.3)	1.499 (38.1)	.656 (16.7)
22	1.588 (40.3)	1.3750-18 UNEF	2.654 (67.4)	.719 (18.3)	1.499 (38.1)	.740 (18.8)
24	1.715 (43.6)	1.5000-18 UNEF	2.885 (73.3)	.719 (18.3)	1.781 (45.2)	.781 (19.8)
28	1.968 (50.0)	1.7500-18 UNS	2.885 (73.3)	.719 (18.3)	1.781 (45.2)	.922 (23.4)
32	2.209 (56.1)	2.0000-18 UNS	2.943 (74.8)	.719 (18.3)	2.087 (53.0)	1.156 (29.4)
36	2.463 (62.6)	2.2500-16 UN	2.943 (74.8)	.719 (18.3)	2.281 (57.9)	1.250 (31.8)

Dimensions are in inches (mm).



Rev. 1825