

MS3409DJ Type Connector & Backshell

TF Series • MIL-DTL-5015 Crimp Type Connectors

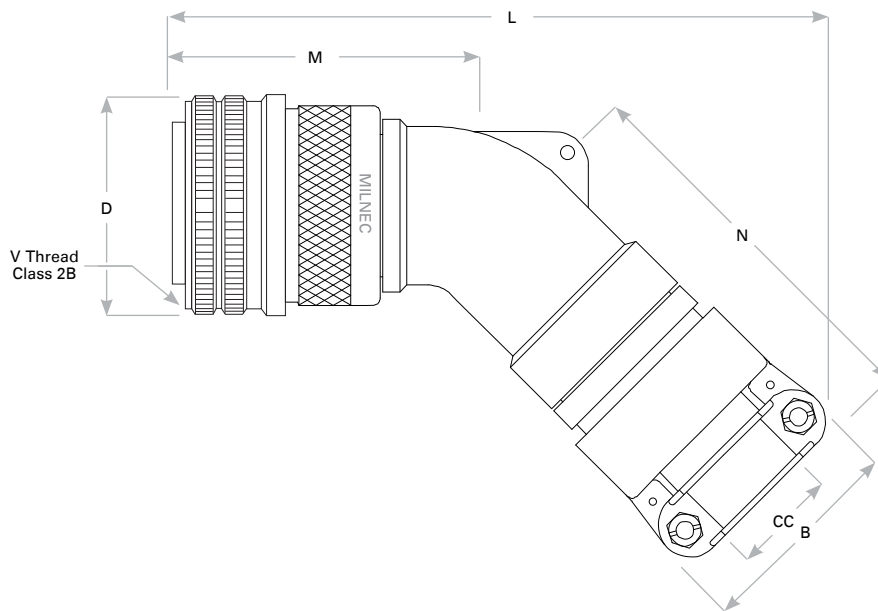


TF09 Compatibility

Compatible Brands	Connectors
MIL-DTL-5015 Crimp	MS3400, MS3401, MS3404, MS3406, MS3496

TF09 DJ 28-12 P N - E3(055) - 01

- 1 **BASIC PART NUMBER**
TF09 Plug with 45° backshell
- 2 **MATERIAL & FINISH**
DJ Aluminum, cadmium over nickel
- 3 **SHELL SIZE & INSERT ARRANGEMENT**
See Insert Arrangement Selection table, p. X-12
- 4 **CONTACT STYLE**
P Pin
S Socket
D Pin (wire reducing, size #16 & #12 only)
F Socket (wire reducing, size #16 & #12 only)
- 5 **INSERT ROTATION**
N Normal or W, X, Y, Z, see p. X-12 for availability
- 6 **BACKSHELL KIT (OMIT FOR NONE)**
E3() 45° environmental
(Add dash number from table below)
- 7 **OPTIONAL ACCESSORY KIT (OMIT FOR NONE)**
01 Protective cover



Dimensions

Assembly No.	Milnec Part No.	V Thread Class 2B	D Max	B Max	L* Max	M Max	N Max	CC Cable Clearance	
								Min	Max
MS3409DJ 10Axx	TF09DJ10Sxx-E3(004)	.625-24 UNEF	.969 (24.6)	.957 (24.3)	4.875 (12.8)	2.438 (61.9)	3.062 (77.8)	.125 (3.2)	.312 (7.9)
MS3409DJ 10Bxx	TF09DJ10Sxx-E3(049)	.625-24 UNEF	.969 (24.6)	1.145 (29.1)	5.812 (147.6)	3.250 (82.6)	3.062 (77.8)	.250 (6.4)	.437 (11.1)
MS3409DJ 10Dxx	TF09DJ10Sxx-E3(005)	.625-24 UNEF	.969 (24.6)	1.145 (29.1)	4.562 (115.9)	2.438 (61.9)	2.438 (61.9)	.250 (6.4)	.375 (9.5)
MS3409DJ 11Axx	TF09DJ10SLxx-E3(004)	.625-24 UNEF	.969 (24.6)	.957 (24.3)	4.875 (12.8)	2.438 (61.9)	3.062 (77.8)	.125 (3.2)	.312 (7.9)
MS3409DJ 11Bxx	TF09DJ10SLxx-E3(049)	.625-24 UNEF	.969 (24.6)	1.145 (29.1)	5.812 (147.6)	3.250 (82.6)	3.062 (77.8)	.250 (6.4)	.437 (11.1)
MS3409DJ 11Dxx	TF09DJ10SLxx-E3(005)	.625-24 UNEF	.969 (24.6)	1.145 (29.1)	4.562 (115.9)	2.438 (61.9)	2.438 (61.9)	.250 (6.4)	.375 (9.5)
MS3409DJ 12Axx	TF09DJ12xx-E3(006)	.750-20 UNEF	1.062 (27.0)	.957 (24.3)	5.000 (127.0)	2.500 (63.5)	3.062 (77.8)	.125 (3.2)	.312 (7.9)
MS3409DJ 12Bxx	TF09DJ12xx-E3(071)	.750-20 UNEF	1.062 (27.0)	1.332 (33.8)	6.188 (157.2)	3.375 (85.7)	2.938 (74.6)	.350 (8.9)	.625 (15.9)

Dimensions are in inches (mm). * Add .375 (9.5) when using contact sizes 8, 4, & 0.

(Continued on next page)

Rev. 2242

MS3409DJ Type Connector & Backshell

TF Series • MIL-DTL-5015 Crimp Type Connectors

Dimensions (Continued from previous page)

Assembly No.	Milnec Part No.	V Thread Class 2B	D Max	B Max	L* Max	M Max	N Max	CC Cable Clearance	
								Min	Max
MS3409DJ 12Dxx	TF09DJ12xx-E3(008)	.750-20 UNEF	1.062 (27.0)	1.332 (33.8)	5.125 (130.2)	2.500 (63.5)	3.062 (77.8)	.350 (8.9)	.500 (12.7)
MS3409DJ 12Exx	TF09DJ12xx-E3(007)	.750-20 UNEF	1.062 (27.0)	1.145 (29.1)	5.062 (128.6)	2.500 (63.5)	3.062 (77.8)	.250 (6.4)	.437 (11.1)
MS3409DJ 13Axx	TF09DJ12Sxx-E3(006)	.750-20 UNEF	1.062 (27.0)	.957 (24.3)	5.000 (127.0)	2.500 (63.5)	3.062 (77.8)	.125 (3.2)	.312 (7.9)
MS3409DJ 13Bxx	TF09DJ12Sxx-E3(071)	.750-20 UNEF	1.062 (27.0)	1.332 (33.8)	6.188 (157.2)	3.375 (85.7)	2.938 (74.6)	.350 (8.9)	.625 (15.9)
MS3409DJ 13Dxx	TF09DJ12Sxx-E3(008)	.750-20 UNEF	1.062 (27.0)	1.332 (33.8)	5.125 (130.2)	2.500 (63.5)	3.062 (77.8)	.350 (8.9)	.500 (12.7)
MS3409DJ 13Exx	TF09DJ12Sxx-E3(007)	.750-20 UNEF	1.062 (27.0)	1.145 (29.1)	5.062 (128.6)	2.500 (63.5)	3.062 (77.8)	.250 (6.4)	.437 (11.1)
MS3409DJ 14Axx	TF09DJ14xx-E3(009)	.875-20 UNEF	1.156 (29.4)	1.145 (29.1)	5.188 (131.8)	2.562 (65.1)	3.188 (81.0)	.250 (6.4)	.437 (11.1)
MS3409DJ 14Bxx	TF09DJ14xx-E3(050)	.875-20 UNEF	1.156 (29.4)	1.551 (39.4)	6.625 (168.3)	3.625 (92.1)	3.500 (88.9)	.500 (12.7)	.750 (19.1)
MS3409DJ 14Dxx	TF09DJ14xx-E3(010)	.875-20 UNEF	1.156 (29.4)	1.332 (33.8)	5.000 (127.0)	2.562 (65.1)	2.812 (71.4)	.350 (8.9)	.575 (14.6)
MS3409DJ 14Exx	TF09DJ14xx-E3(074)	.875-20 UNEF	1.156 (29.4)	.957 (24.3)	5.125 (130.2)	2.562 (65.1)	3.188 (81.0)	.125 (3.2)	.312 (7.9)
MS3409DJ 15Axx	TF09DJ14Sxx-E3(009)	.875-20 UNEF	1.156 (29.4)	1.145 (29.1)	5.188 (131.8)	2.562 (65.1)	3.188 (81.0)	.250 (6.4)	.437 (11.1)
MS3409DJ 15Bxx	TF09DJ14Sxx-E3(050)	.875-20 UNEF	1.156 (29.4)	1.551 (39.4)	6.625 (168.3)	3.625 (92.1)	3.500 (88.9)	.500 (12.7)	.750 (19.1)
MS3409DJ 15Dxx	TF09DJ14Sxx-E3(010)	.875-20 UNEF	1.156 (29.4)	1.332 (33.8)	5.000 (127.0)	2.562 (65.1)	2.812 (71.4)	.350 (8.9)	.575 (14.6)
MS3409DJ 15Exx	TF09DJ14Sxx-E3(074)	.875-20 UNEF	1.156 (29.4)	.957 (24.3)	5.125 (130.2)	2.562 (65.1)	3.188 (81.0)	.125 (3.2)	.312 (7.9)
MS3409DJ 16Axx	TF09DJ16xx-E3(012)	1.000-20 UNEF	1.250 (31.8)	1.551 (39.4)	5.312 (134.9)	2.625 (66.7)	2.938 (74.6)	.500 (12.7)	.700 (17.8)
MS3409DJ 16Bxx	TF09DJ16xx-E3(051)	1.000-20 UNEF	1.250 (31.8)	1.770 (45.0)	6.938 (176.2)	3.688 (93.7)	3.750 (95.3)	.625 (15.9)	.937 (23.8)
MS3409DJ 16Dxx	TF09DJ16xx-E3(011)	1.000-20 UNEF	1.250 (31.8)	1.145 (29.1)	5.375 (136.5)	2.625 (66.7)	3.312 (84.1)	.250 (6.4)	.437 (11.1)
MS3409DJ 16Exx	TF09DJ16xx-E3(040)	1.000-20 UNEF	1.250 (31.8)	1.332 (33.8)	5.438 (138.1)	2.625 (66.7)	3.312 (84.1)	.350 (8.9)	.625 (15.9)
MS3409DJ 17Axx	TF09DJ16Sxx-E3(012)	1.000-20 UNEF	1.250 (31.8)	1.551 (39.4)	5.312 (134.9)	2.625 (66.7)	2.938 (74.6)	.500 (12.7)	.700 (17.8)
MS3409DJ 17Bxx	TF09DJ16Sxx-E3(051)	1.000-20 UNEF	1.250 (31.8)	1.770 (45.0)	6.938 (176.2)	3.688 (93.7)	3.750 (95.3)	.625 (15.9)	.937 (23.8)
MS3409DJ 17Dxx	TF09DJ16Sxx-E3(011)	1.000-20 UNEF	1.250 (31.8)	1.145 (29.1)	5.375 (136.5)	2.625 (66.7)	3.312 (84.1)	.250 (6.4)	.437 (11.1)
MS3409DJ 17Exx	TF09DJ16Sxx-E3(040)	1.000-20 UNEF	1.250 (31.8)	1.332 (33.8)	5.438 (138.1)	2.625 (66.7)	3.312 (84.1)	.350 (8.9)	.625 (15.9)
MS3409DJ 18Axx	TF09DJ18xx-E3(013)	1.000-20 UNEF	1.344 (34.1)	1.332 (33.8)	5.750 (146.1)	2.812 (71.4)	3.500 (88.9)	.350 (8.9)	.625 (15.9)
MS3409DJ 18Bxx	TF09DJ18xx-E3(052)	1.000-20 UNEF	1.344 (34.1)	1.551 (39.4)	5.875 (149.2)	2.812 (71.4)	3.500 (88.9)	.500 (12.7)	.750 (19.1)
MS3409DJ 18Exx	TF09DJ18xx-E3(041)	1.062-18 UNEF	1.344 (34.1)	.957 (24.3)	5.625 (142.9)	2.812 (71.4)	3.500 (88.9)	.125 (3.2)	.312 (7.9)
MS3409DJ 18Fxx	TF09DJ18xx-E3(042)	1.062-18 UNEF	1.344 (34.1)	1.145 (29.1)	5.688 (144.5)	2.812 (71.4)	3.500 (88.9)	.250 (6.4)	.437 (11.1)
MS3409DJ 20Axx	TF09DJ20xx-E3(015)	1.062-18 UNEF	1.469 (37.3)	1.332 (33.8)	5.750 (146.1)	2.812 (71.4)	3.500 (88.9)	.350 (8.9)	.625 (15.9)
MS3409DJ 20Bxx	TF09DJ20xx-E3(054)	1.062-18 UNEF	1.469 (37.3)	1.551 (39.4)	5.875 (149.2)	2.812 (71.4)	3.500 (88.9)	.500 (12.7)	.750 (19.1)
MS3409DJ 20Exx	TF09DJ20xx-E3(055)	1.062-18 UNEF	1.469 (37.3)	2.113 (53.7)	7.375 (187.3)	2.812 (71.4)	4.000 (101.6)	.875 (22.2)	1.250 (31.8)
MS3409DJ 20Fxx	TF09DJ20xx-E3(043)	1.062-18 UNEF	1.469 (37.3)	1.145 (29.1)	5.688 (144.5)	2.812 (71.4)	3.500 (88.9)	.250 (6.4)	.437 (11.1)
MS3409DJ 20Gxx	TF09DJ20xx-E3(016)	1.062-18 UNEF	1.469 (37.3)	1.770 (45.0)	5.750 (146.1)	2.812 (71.4)	3.250 (82.6)	.625 (15.9)	.904 (23.0)
MS3409DJ 22Axx	TF09DJ22xx-E3(056)	1.062-18 UNEF	1.594 (40.5)	1.332 (33.8)	5.938 (150.8)	2.938 (74.6)	3.625 (92.1)	.350 (8.9)	.625 (15.9)
MS3409DJ 22Bxx	TF09DJ22xx-E3(017)	1.062-18 UNEF	1.594 (40.5)	1.551 (39.4)	6.062 (154.0)	2.938 (74.6)	3.688 (93.7)	.500 (12.7)	.750 (19.1)
MS3409DJ 22Dxx	TF09DJ22xx-E3(057)	1.062-18 UNEF	1.594 (40.5)	1.770 (45.0)	6.188 (157.2)	2.938 (74.6)	3.750 (95.3)	.625 (15.9)	.937 (23.8)
MS3409DJ 22Exx	TF09DJ22xx-E3(058)	1.188-18 UNEF	1.594 (40.5)	2.113 (53.7)	7.375 (187.3)	3.812 (96.8)	4.000 (101.6)	.875 (22.2)	1.250 (31.8)
MS3409DJ 22Fxx	TF09DJ22xx-E3(044)	1.188-18 UNEF	1.594 (40.5)	.957 (24.3)	5.812 (147.6)	2.938 (74.6)	3.625 (92.1)	.125 (3.2)	.312 (7.9)
MS3409DJ 22Gxx	TF09DJ22xx-E3(045)	1.188-18 UNEF	1.594 (40.5)	1.145 (29.1)	5.875 (149.2)	2.938 (74.6)	3.625 (92.1)	.250 (6.4)	.437 (11.1)
MS3409DJ 22Hxx	TF09DJ22xx-E3(018)	1.188-18 UNEF	1.594 (40.5)	2.113 (53.7)	6.250 (158.8)	2.938 (74.6)	3.625 (92.1)	.875 (22.2)	1.029 (26.1)
MS3409DJ 24Axx	TF09DJ24xx-E3(019)	1.188-18 UNEF	1.719 (43.7)	1.551 (39.4)	6.062 (154.0)	2.938 (74.6)	3.688 (93.7)	.500 (12.7)	.750 (19.1)
MS3409DJ 24Dxx	TF09DJ24xx-E3(059)	1.188-18 UNEF	1.719 (43.7)	1.770 (45.0)	6.188 (157.2)	2.938 (74.6)	3.750 (95.3)	.625 (15.9)	.937 (23.8)
MS3409DJ 24Exx	TF09DJ24xx-E3(073)	1.188-18 UNEF	1.719 (43.7)	2.113 (53.7)	7.375 (187.3)	3.812 (96.8)	4.000 (101.6)	.875 (22.2)	1.250 (31.8)
MS3409DJ 24Fxx	TF09DJ24xx-E3(046)	1.188-18 UNEF	1.719 (43.7)	1.332 (33.8)	5.938 (150.8)	2.938 (74.6)	3.625 (92.1)	.350 (8.9)	.625 (15.9)
MS3409DJ 24Gxx	TF09DJ24xx-E3(020)	1.188-18 UNEF	1.719 (43.7)	2.113 (53.7)	6.250 (158.8)	2.938 (74.6)	3.625 (92.1)	.875 (22.2)	1.144 (29.1)
MS3409DJ 28Axx	TF09DJ28xx-E3(060)	1.188-18 UNEF	1.969 (50.0)	1.551 (39.4)	6.250 (158.8)	3.062 (77.8)	3.688 (93.7)	.500 (12.7)	.750 (19.1)
MS3409DJ 28Bxx	TF09DJ28xx-E3(021)	1.188-18 UNEF	1.969 (50.0)	1.770 (45.0)	6.375 (161.9)	3.062 (77.8)	3.812 (96.8)	.625 (15.9)	.937 (23.8)
MS3409DJ 28Dxx	TF09DJ28xx-E3(061)	1.313-18 UNEF	1.969 (50.0)	2.113 (53.7)	6.625 (168.3)	3.062 (77.8)	4.000 (101.6)	.875 (22.2)	1.250 (31.8)
MS3409DJ 28Exx	TF09DJ28xx-E3(022)	1.313-18 UNEF	1.969 (50.0)	2.363 (60.0)	6.562 (166.7)	3.062 (77.8)	3.812 (96.8)	1.000 (25.4)	1.375 (34.9)

Dimensions are in inches (mm). * Add .375 (9.5) when using contact sizes 8, 4, & 0.

Rev. 2242

MS3409DJ Type Connector & Backshell

TF Series • MIL-DTL-5015 Crimp Type Connectors

Dimensions (Continued from previous page)

Assembly No.	Milnec Part No.	V Thread Class 2B	D Max	B Max	L* Max	M Max	N Max	CC Cable Clearance	
								Min	Max
MS3409DJ 32Axx	TF09DJ32xx-E3(023)	1.313-18 UNEF	2.219 (56.4)	1.770 (45.0)	6.500 (165.1)	3.125 (79.4)	3.938 (100.0)	.625 (15.9)	.937 (23.8)
MS3409DJ 32Bxx	TF09DJ32xx-E3(024)	1.313-18 UNEF	2.219 (56.4)	2.113 (53.7)	6.750 (171.5)	3.125 (79.4)	4.125 (104.8)	.875 (22.2)	1.250 (31.8)
MS3409DJ 32Dxx	TF09DJ32xx-E3(062)	1.313-18 UNEF	2.219 (56.4)	2.363 (60.0)	6.938 (176.2)	3.125 (79.4)	4.250 (108.0)	1.000 (25.4)	1.375 (34.9)
MS3409DJ 32Exx	TF09DJ32xx-E3(025)	1.313-18 UNEF	2.219 (56.4)	2.770 (70.4)	7.062 (179.4)	3.125 (79.4)	4.188 (106.4)	1.250 (31.8)	1.625 (41.3)
MS3409DJ 36Axx	TF09DJ36xx-E3(063)	1.313-18 UNEF	2.469 (62.7)	2.113 (53.7)	6.875 (174.6)	3.125 (79.4)	4.250 (108.0)	.875 (22.2)	1.250 (31.8)
MS3409DJ 36Bxx	TF09DJ36xx-E3(027)	1.313-18 UNEF	2.469 (62.7)	2.363 (60.0)	7.062 (179.4)	3.125 (79.4)	4.375 (111.1)	1.000 (25.4)	1.375 (34.9)
MS3409DJ 36Dxx	TF09DJ36xx-E3(064)	1.313-18 UNEF	2.469 (62.7)	2.770 (70.4)	7.375 (187.3)	3.125 (79.4)	4.625 (117.5)	1.250 (31.8)	1.625 (41.3)
MS3409DJ 36Exx	TF09DJ36xx-E3(028)	.875-20 UNEF	2.469 (62.7)	3.020 (76.7)	7.250 (184.2)	3.125 (79.4)	4.312 (109.5)	1.437 (36.5)	1.840 (46.7)
MS3408DJ 36Fxx	TF09DJ36xx-E3(047)	.875-20 UNEF	2.469 (62.7)	1.551 (39.4)	6.438 (163.5)	3.125 (79.4)	3.875 (98.4)	.500 (12.7)	.750 (19.1)
MS3409DJ 36Gxx	TF09DJ36xx-E3(026)	.875-20 UNEF	2.469 (62.7)	2.770 (70.4)	6.625 (168.3)	3.125 (79.4)	4.000 (101.6)	.625 (15.9)	.937 (19.1)

Dimensions are in inches (mm). * Add .375 (9.5) when using contact sizes 8, 4, & 0.

TF

Rev. 2242