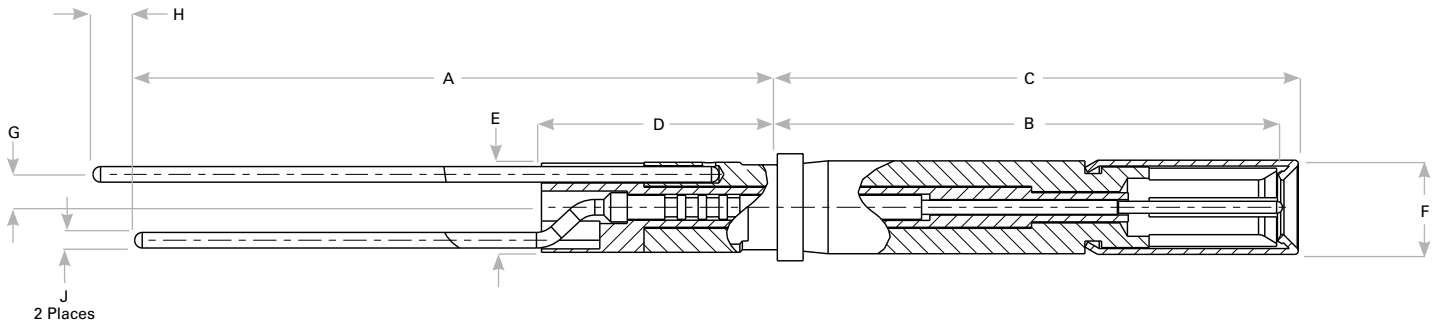
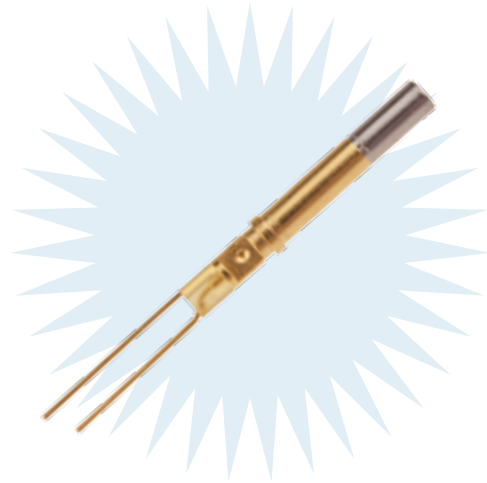


#16 PC Tail Socket Coax Contact

TX Series • MIL-DTL-38999 Series III Style Connectors

TXSX16 - 202

- 1 **BASIC PART NUMBER**
TXSX16 TX Series #16 PC tail coax socket contact
(D38999 Series III compatible)
- 2 **DASH NUMBER**
202 Dash number dimensions below



Size #16 PC Tail Coax Socket Contact Dimensions

Part Number	A	B	C	D	E Max	F	G	H	J
TXSX16-202	.771 (19.6)	.606 (15.4)	.625 (15.9)	.283 (7.2)	.120 (3.1)	.113 (2.9)	.040 (1.0)	.050 (1.3)	.019 (.5)

Dimensions are in inches (mm). *Stickout Tolerance ± 0.02 (0.5mm)

Typical Electrical Performance

- Contact Resistance:** Center @ 1 Amp, 55 millivolts max. voltage drop @ 25°C
Outer @ 1 Amp, 55 millivolts max. voltage drop @ 25°C
- Operating Frequency:** 0–500 MHz
- Dielectric Withstanding Voltage:** Center to Outer 500 VAC Rms @ Sea Level
- Insulation Resistance:** 1,000 megohms minimum @ 25°C