

D38999/20 Connector Type Datasheet

TX Series • MIL-DTL-38999 Series III Style Connectors

TX00 N 13-35 S N - R2(015) - 03

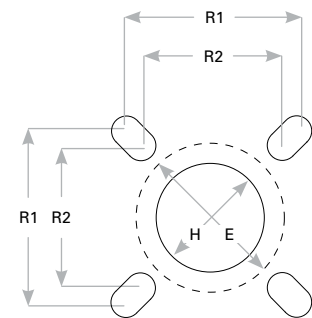
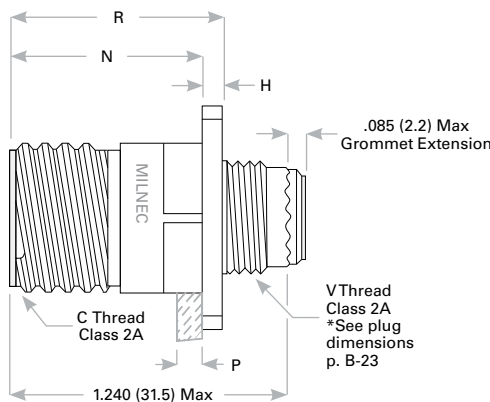
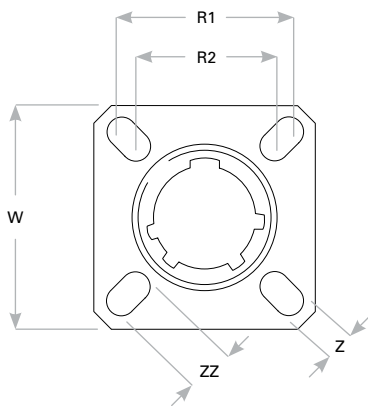
- 1 **BASIC PART NUMBER**
TX00 Wall mount receptacle
- 2 **MATERIAL & FINISH**
N Aluminum, electroless nickel
W Aluminum, olive drab cadmium
K Stainless steel, passivated (firewall)
- 3 **SHELL SIZE & INSERT ARRANGEMENT**
See Insert Arrangement Selection table, p. B-19
- 4 **CONTACT STYLE**
P Pin
S Socket
- 5 **ALTERNATE KEYING**
N NORMAL or A, B, C, D, E
- 6 **OPTIONAL BACKSHELL KIT (OMIT FOR NONE)**
B2 Straight strain relief (self-locking), p. B-35
R2() Straight EMI/RFI environmental, p. B-37
(Add dash number for appropriate shell size, see p. B-37)
K2 Boot adapter, p. B-49, & straight shrink boot, p. B-47
- 7 **OPTIONAL ACCESSORY KIT (OMIT FOR NONE)**
02 Protective cover + mounting gasket
03 02 kit + mounting bracket + sealing screws

Note: See part builder (p. B-17) for additional kit options.

Receptacle Dimensions

Shell Size	Military Shell Size	W ±.012 (0.3)	ZZ ±.008 (0.2)	Z ±.008 (0.2)	R Max	N Max	H Max	C Thread Class 2A	P Max Rear Panel†	R1	R2	H Front Mount	E Rear Mount
9	A	.948 (24.1)	.220 (5.5)	.130 (3.3)	.918 (23.3)	.820 (20.8)	.098 (2.5)	.6250-0.1P-0.3L-TS	.234 (5.9)	.719 (18.3)	.594 (15.1)	.516 (13.1)	.656 (16.7)
11	B	1.043 (26.5)	.190 (4.9)	.130 (3.3)	.918 (23.3)	.820 (20.8)	.098 (2.5)	.7500-0.1P-0.3L-TS	.234 (5.9)	.812 (20.6)	.719 (18.3)	.625 (15.9)	.796 (20.2)
13	C	1.137 (28.9)	.190 (4.9)	.130 (3.3)	.918 (23.3)	.820 (20.8)	.098 (2.5)	.8750-0.1P-0.3L-TS	.234 (5.9)	.906 (23.0)	.812 (20.6)	.750 (19.1)	.922 (23.4)
15	D	1.232 (31.3)	.190 (4.9)	.130 (3.3)	.918 (23.3)	.820 (20.8)	.098 (2.5)	1.0000-0.1P-0.3L-TS	.234 (5.9)	.969 (24.6)	.906 (23.0)	.906 (23.0)	1.047 (26.6)
17	E	1.323 (33.6)	.190 (4.9)	.130 (3.3)	.918 (23.3)	.820 (20.8)	.098 (2.5)	1.1875-0.1P-0.3L-TS	.234 (5.9)	1.062 (27.0)	.969 (24.6)	1.016 (25.8)	1.219 (31.0)
19	F	1.449 (36.8)	.190 (4.9)	.130 (3.3)	.918 (23.3)	.820 (20.8)	.098 (2.5)	1.2500-0.1P-0.3L-TS	.234 (5.9)	1.156 (29.4)	1.062 (27.0)	1.141 (29.0)	1.297 (32.9)
21	G	1.575 (40.0)	.190 (4.9)	.130 (3.3)	.918 (23.3)	.790 (20.1)	.126 (32.0)	1.3750-0.1P-0.3L-TS	.234 (5.9)	1.250 (31.8)	1.156 (29.4)	1.266 (32.2)	1.422 (36.1)
23	H	1.701 (43.2)	.240 (6.1)	.150 (3.8)	.918 (23.3)	.790 (20.1)	.126 (32.0)	1.5000-0.1P-0.3L-TS	.234 (5.9)	1.375 (34.9)	1.250 (31.8)	1.375 (34.9)	1.547 (39.3)
25	J	1.823 (46.3)	.240 (6.1)	.150 (3.8)	.918 (23.3)	.790 (20.1)	.126 (32.0)	1.6250-0.1P-0.3L-TS	.234 (5.9)	1.500 (38.1)	1.375 (34.9)	1.484 (37.7)	1.672 (42.5)

Dimensions are in inches (mm). † Max panel thickness applies only to rear mount applications to ensure proper coupling clearance.



Panel Cutout

Kits with 03 accessory option will use R1 mounting hole positions.

TX00 Cross-Reference & Compatibility

Compatible Brands	Equivalents	Mates
MIL-DTL-38999 Series III	D38999/20	D38999/26
Aero / Conesys	AE320	AE326
Amphenol	TV00, TVPS00	TV06, TVS06, CTV06, CTVS06
Deutsch	DTS20	DTS26
ITT Cannon	KJA0	KJA6
Souriau	8D0	8D5, 8DS06G