

Wall Mount Filtered Receptacle

TX Series • MIL-DTL-38999 Series III Style Connectors

TXF0 N 13-35 Y N - P Z

- 1 **BASIC PART NUMBER**
TXF0 Wall mount filtered receptacle
- 2 **MATERIAL & FINISH**
N Aluminum, electroless nickel
W Aluminum, olive drab cadmium
- 3 **SHELL SIZE & INSERT ARRANGEMENT**
See Insert Arrangement Selection table, p. B-19
- 4 **CONTACT STYLE**
X PC tail pin
Y PC tail socket
- 5 **ALTERNATE KEYING**
N NORMAL or A, B, C, D, E
- 6 **FILTER TYPE**
P Pi circuit
C C circuit
- 7 **CAPACITANCE RANGE CODE**
See Capacitance Range table



Capacitance Range

Code	Pi Circuit (pF)	C Circuit (pF)
X	160,000 - 240,000	80,000 - 120,000
Y	80,000 - 120,000	40,000 - 60,000
Z	60,000 - 90,000	30,000 - 45,000
A	38,000 - 56,000	19,000 - 28,000
B	32,000 - 45,000	16,000 - 22,500
C	18,000 - 33,000	9,000 - 16,500
D	8,000 - 12,000	4,000 - 6,000
E	3,300 - 5,000	1,650 - 2,500

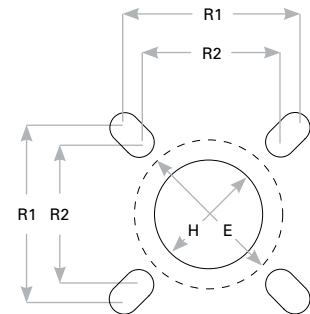
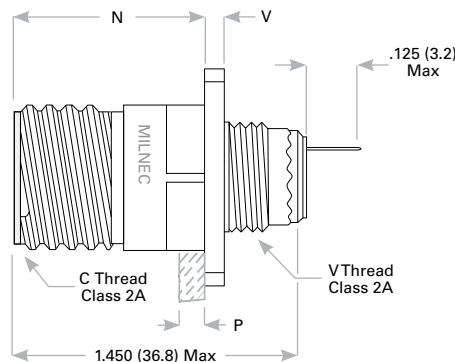
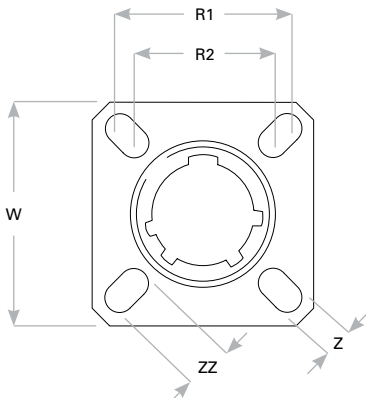
Above are most popular ranges. Consult distributor for additional filter types and special configurations.

Consult your local distributor for additional filter types, PC tail lengths, and other configurations.

Receptacle Dimensions

Shell Size	Military Shell Size	W Max	ZZ	Z	V Max	N Max	C Thread Class 2A	V Thread Class 2A	P Max Rear Panel*	R1	R2	H Front Mount	E Rear Mount
9	A	.948 (24.1)	.216 (5.5)	.128 (3.3)	.144 (3.7)	.820 (20.8)	.6250-0.1P-0.3L-TS	M12X1-6g	.234 (5.9)	.719 (18.3)	.594 (15.1)	.516 (13.1)	.656 (16.7)
11	B	1.043 (26.5)	.194 (4.9)	.128 (3.3)	.144 (3.7)	.820 (20.8)	.7500-0.1P-0.3L-TS	M15X1-6g	.234 (5.9)	.812 (20.6)	.719 (18.3)	.625 (15.9)	.796 (20.2)
13	C	1.137 (28.9)	.194 (4.9)	.128 (3.3)	.144 (3.7)	.820 (20.8)	.8750-0.1P-0.3L-TS	M18X1-6g	.234 (5.9)	.906 (23.0)	.812 (20.6)	.750 (19.1)	.922 (23.4)
15	D	1.232 (31.3)	.173 (4.3)	.128 (3.3)	.144 (3.7)	.820 (20.8)	1.0000-0.1P-0.3L-TS	M22X1-6g	.234 (5.9)	.969 (24.6)	.906 (23.0)	.906 (23.0)	1.047 (26.6)
17	E	1.323 (33.6)	.194 (4.9)	.128 (3.3)	.144 (3.7)	.820 (20.8)	1.1875-0.1P-0.3L-TS	M25X1-6g	.234 (5.9)	1.062 (27.0)	.969 (24.6)	1.016 (25.8)	1.219 (31.0)
19	F	1.449 (36.8)	.194 (4.9)	.128 (3.3)	.144 (3.7)	.820 (20.8)	1.2500-0.1P-0.3L-TS	M28X1-6g	.234 (5.9)	1.156 (29.4)	1.062 (27.0)	1.141 (29.0)	1.297 (32.9)
21	G	1.575 (40.0)	.194 (4.9)	.128 (3.3)	.171 (4.3)	.790 (20.1)	1.3750-0.1P-0.3L-TS	M31X1-6g	.234 (5.9)	1.250 (31.8)	1.156 (29.4)	1.266 (32.2)	1.422 (36.1)
23	H	1.701 (43.2)	.242 (6.1)	.154 (3.9)	.171 (4.3)	.790 (20.1)	1.5000-0.1P-0.3L-TS	M34X1-6g	.234 (5.9)	1.375 (34.9)	1.250 (31.8)	1.375 (34.9)	1.547 (39.3)
25	J	1.823 (46.3)	.242 (6.1)	.154 (3.9)	.171 (4.3)	.790 (20.1)	1.6250-0.1P-0.3L-TS	M37X1-6g	.234 (5.9)	1.500 (38.1)	1.375 (34.9)	1.484 (37.7)	1.672 (42.5)

Dimensions are in inches (mm). * Max panel thickness applies only to rear mount applications to ensure proper coupling clearance.



Panel Cutout

Rev. 1932