

D38999/24 Connector Type Datasheet

TX Series • MIL-DTL-38999 Series III Style Connectors



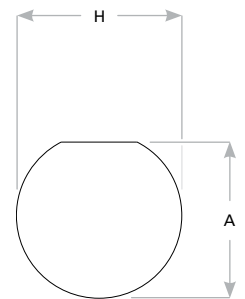
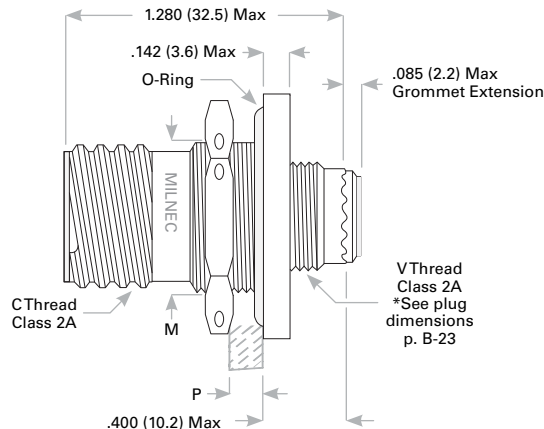
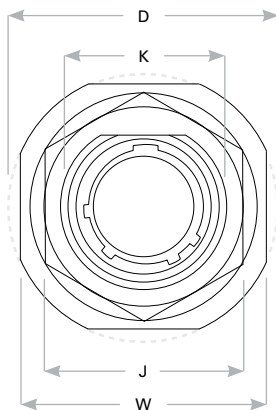
TX07 Cross-Reference & Compatibility

Compatible Brands	Equivalents	Mates
MIL-DTL-38999 Series III	D38999/24	D38999/26
Aero / Conesys	AE324	AE326
Amphenol	TV07, TVPS07	TV06, TVS06, CTV06, CTVS06
Deutsch	DTS24	DTS26
ITT Cannon	KJA7	KJA6
Souriau	8D7	8D5, 8DS06G

Receptacle Dimensions

Shell Size	Military Shell Size	W ±.016 (0.4)	D	K	J ±.017 (0.4)	C Thread Class 2A	M	P Max Rear Panel†	H	A
9	A	1.062 (27.0)	1.199 (30.5)	.697 (17.7)	.875 (22.2)	.6250-0.1P-0.3L-TS	.669 (17.0)	.125 (3.2)	.700 (17.8)	.670 (17.0)
11	B	1.250 (31.8)	1.386 (35.2)	.822 (20.9)	1.000 (25.4)	.7500-0.1P-0.3L-TS	.769 (19.5)	.125 (3.2)	.825 (21.0)	.771 (19.6)
13	C	1.375 (34.9)	1.511 (38.4)	1.007 (25.6)	1.188 (30.2)	.8750-0.1P-0.3L-TS	.955 (24.3)	.125 (3.2)	1.010 (25.7)	.955 (24.3)
15	D	1.500 (38.1)	1.636 (41.6)	1.134 (28.8)	1.312 (33.3)	1.0000-0.1P-0.3L-TS	1.084 (27.5)	.125 (3.2)	1.135 (28.8)	1.085 (27.6)
17	E	1.625 (41.3)	1.761 (44.7)	1.259 (32.0)	1.438 (36.5)	1.1875-0.1P-0.3L-TS	1.208 (30.7)	.125 (3.2)	1.260 (32.0)	1.210 (30.7)
19	F	1.812 (46.0)	1.949 (49.5)	1.384 (35.2)	1.562 (39.7)	1.2500-0.1P-0.3L-TS	1.333 (33.9)	.125 (3.2)	1.385 (35.2)	1.335 (33.9)
21	G	1.938 (49.2)	2.073 (52.7)	1.507 (38.3)	1.688 (42.9)	1.3750-0.1P-0.3L-TS	1.459 (37.1)	.125 (3.2)	1.510 (38.4)	1.460 (37.1)
23	H	2.062 (52.4)	2.199 (55.9)	1.634 (41.5)	1.812 (46.0)	1.5000-0.1P-0.3L-TS	1.575 (40.0)	.125 (3.2)	1.635 (41.5)	1.585 (40.3)
25	J	2.188 (55.6)	2.323 (59.0)	1.759 (44.7)	2.000 (50.8)	1.6250-0.1P-0.3L-TS	1.709 (43.4)	.125 (3.2)	1.760 (44.7)	1.710 (43.4)

Dimensions are in inches (mm). † Max panel thickness will ensure proper coupling clearance.



Panel Cutout

TX07 N 13-35 S N - R2(015) - 02

- 1 **BASIC PART NUMBER**
TX07 Jam nut receptacle
- 2 **MATERIAL & FINISH**
N Aluminum, electroless nickel
W Aluminum, olive drab cadmium
K Stainless steel, passivated (firewall)
- 3 **SHELL SIZE & INSERT ARRANGEMENT**
See Insert Arrangement Selection table, p. B-19
- 4 **CONTACT STYLE**
P Pin
S Socket
- 5 **ALTERNATE KEYING**
N NORMAL or A, B, C, D, E
- 6 **OPTIONAL BACKSHELL KIT (OMIT FOR NONE)**
B2 Straight strain relief (self-locking), p. B-35
R2() Straight EMI/RFI environmental, p. B-37
(Add dash number for appropriate shell size, see p. B-37)
K2 Boot adapter, p. B-49, & straight shrink boot, p. B-47
- 7 **OPTIONAL ACCESSORY KIT (OMIT FOR NONE)**
02 Protective cover

Note: See part builder (p. B-17) for additional kit options.

TX