

Lanyard Release Plug

TX Series • MIL-DTL-38999 Series III Style Connectors



TX36 Cross-Reference & Compatibility

Compatible Brands	Equivalents	Mates
MIL-DTL-38999 Series III	D38999/29, D38999/30	D38999/20, D38999/24
Amphenol	88-5565, 91-5565 T3W-16A	TVP00, TVPS00, TVP07, TVPS07
Deutsch	-	DTS20, DTS24
ITT Cannon	-	KJA0, KJA7
Souriau	8D8, 8D9	8D0, 8D1, 8D7, 8DS00, 8DS07

TX36 N 13-35 P C N - L4 - 01

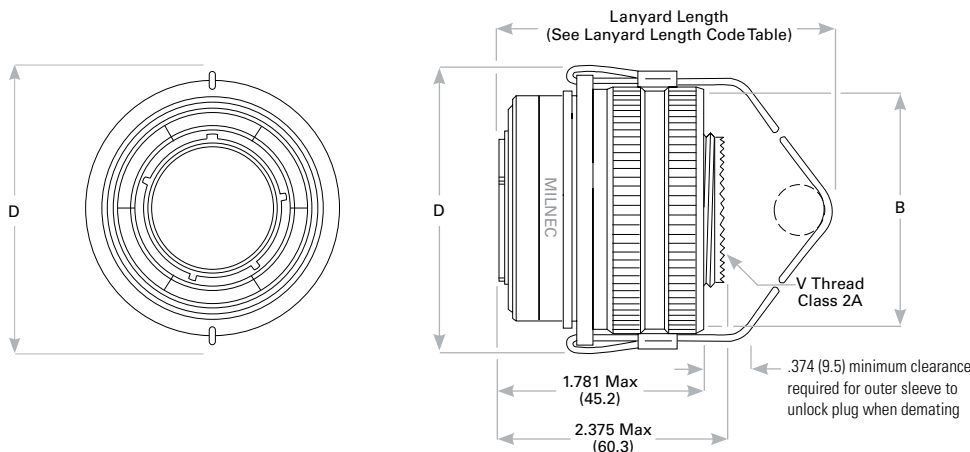
- 1 **BASIC PART NUMBER**
TX36 Lanyard release plug
- 2 **MATERIAL & FINISH**
N Aluminum, electroless nickel
W Aluminum, olive drab cadmium
K Stainless steel, passivated (firewall)
- 3 **SHELL SIZE & INSERT ARRANGEMENT**
See Insert Arrangement Selection table, p. B-19
- 4 **CONTACT STYLE**
P Pin – D38999/29 type
S Socket – D38999/30 type
- 5 **LANYARD LENGTH**
See Lanyard Length Code table
- 6 **ALTERNATE KEYING**
N NORMAL or A, B, C, D, E
- 7 **OPTIONAL BACKSHELL KIT (OMIT FOR NONE)**
L4 90° low profile backshell
- 8 **OPTIONAL ACCESSORY KIT (OMIT FOR NONE)**
01 Protective cover

Note: See part builder (p. B-17) for additional kit options.

Plug Dimensions

Shell Size	Military Shell Size	D Max	B Max Accessory Dia	V Thread Class 2A
9	A	1.720 (43.7)	.977 (24.8)	M12X1-6g
11	B	1.846 (46.9)	1.109 (28.2)	M15X1-6g
13	C	1.972 (50.1)	1.250 (31.8)	M18X1-6g
15	D	2.079 (52.8)	1.375 (34.9)	M22X1-6g
17	E	2.205 (56.0)	1.500 (38.1)	M25X1-6g
19	F	2.301 (58.5)	1.625 (41.3)	M28X1-6g
21	G	2.472 (62.8)	1.750 (44.5)	M31X1-6g
23	H	2.594 (65.9)	1.875 (47.6)	M34X1-6g
25	J	2.705 (68.7)	2.000 (50.8)	M37X1-6g

Dimensions are in inches (mm).



Lanyard Length Code

Lanyard Length Code	Approximate Lanyard Length
A	4.016 (102.0)
B	4.528 (115.0)
C	5.000 (127.0)
D	5.512 (140.0)
E	6.024 (153.0)
F	6.535 (166.0)
G	7.008 (178.0)
H	7.520 (191.0)
I	7.992 (203.0)
J	8.504 (216.0)
K	9.016 (229.0)
L	9.528 (242.0)
M	10.000 (254.0)
N	10.512 (267.0)
P	11.024 (280.0)
R	11.535 (293.0)
S	12.008 (305.0)
T	12.520 (318.0)
U	13.031 (331.0)
V	14.016 (356.0)
W	15.000 (381.0)
X	16.024 (407.0)
Y	17.008 (432.0)
Z	18.031 (458.0)

Dimensions are in inches (mm).