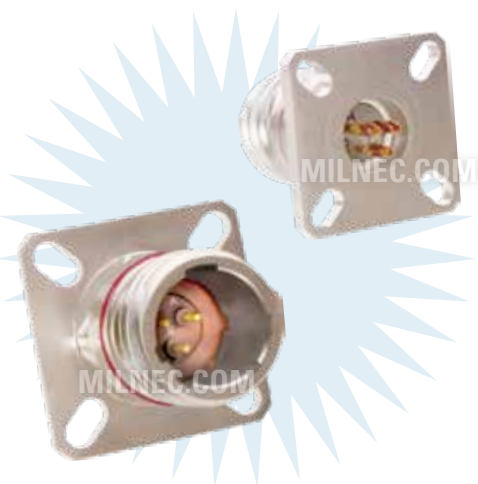


Box Mount Receptacle (Hermetic)

TX Series • MIL-DTL-38999 Series III Style Connectors



TX12 HA 9-98 P N - 03

- 1 **BASIC PART NUMBER**
TX12 Hermetic box mount receptacle
 Helium leakage <math> < 1.0 \times 10^{-7}</math> cc³/sec at 15 psi (1.1 kg/cm²). Insert rated to 14,000 psi (984 kg/cm²) when precision welded or soldered.
- 2 **MATERIAL & FINISH**
H Carbon steel, tin plating over nickel
HA 316L type stainless steel, passivated
HB 316L type stainless steel, electrodeposited nickel
HG Same as HB, for space-grade applications
- 3 **SHELL SIZE & INSERT ARRANGEMENT**
 See Insert Arrangement Selection table, p. B-19
 (Verify hermetic availability on table)
- 4 **CONTACT STYLE**
P Pin only, gold plated, solder cup termination
H* Socket, gold plated, solder cup termination
(PC tail contacts available, contact your authorized distributor)
- 5 **ALTERNATE KEYING**
N NORMAL or A, B, C, D, E
- 6 **OPTIONAL ACCESSORY KIT (OMIT FOR NONE)**
02 Protective cover + mounting gasket
03 02 kit + mounting bracket + sealing screws

* Please consult an authorized distributor for lead time and minimum quantity requirements.

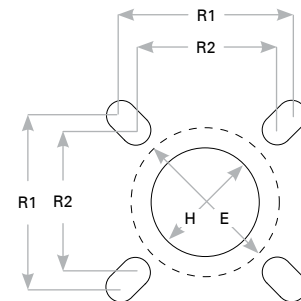
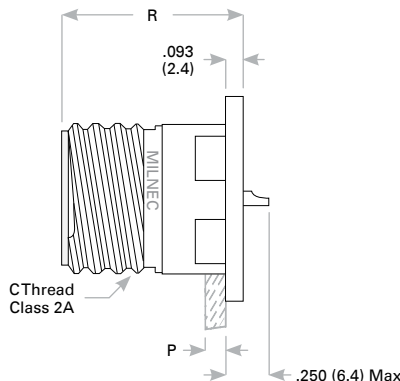
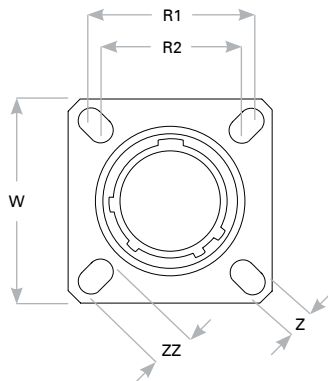
TX12 Compatibility

Compatible Brands	Mates
MIL-DTL-38999 Series III	D38999/26
Aero / Conesys	AE326
Amphenol	TV06, TVS06, CTV06, CTVS06
Deutsch	DTS26
ITT Cannon	KJA6
Souriau	8D5, 8DS06G

Receptacle Dimensions

Shell Size	Military Shell Size	W	ZZ	Z	R	C Thread Class 2A	P Max Rear Panel†	R1	R2	H Front Mount	E Rear Mount
9	A	.938 (23.8)	.216 (5.5)	.128 (3.3)	.913 (23.2)	.6250-0.1P-0.3L-TS	.234 (5.9)	.719 (18.3)	.594 (15.1)	.510 (13.0)	.650 (16.5)
11	B	1.031 (26.2)	.194 (4.9)	.128 (3.3)	.913 (23.2)	.7500-0.1P-0.3L-TS	.234 (5.9)	.812 (20.6)	.719 (18.3)	.620 (15.7)	.800 (20.3)
13	C	1.125 (28.6)	.194 (4.9)	.128 (3.3)	.913 (23.2)	.8750-0.1P-0.3L-TS	.234 (5.9)	.906 (23.0)	.812 (20.6)	.740 (18.8)	.910 (23.1)
15	D	1.219 (31.0)	.173 (4.3)	.128 (3.3)	.913 (23.2)	1.0000-0.1P-0.3L-TS	.234 (5.9)	.969 (24.6)	.906 (23.0)	.900 (22.9)	1.040 (26.4)
17	E	1.312 (33.3)	.194 (4.9)	.128 (3.3)	.913 (23.2)	1.1875-0.1P-0.3L-TS	.234 (5.9)	1.062 (27.0)	.969 (24.6)	1.010 (25.7)	1.210 (30.7)
19	F	1.438 (36.5)	.194 (4.9)	.128 (3.3)	.913 (23.2)	1.2500-0.1P-0.3L-TS	.234 (5.9)	1.156 (29.4)	1.062 (27.0)	1.130 (28.7)	1.280 (32.5)
21	G	1.562 (39.7)	.194 (4.9)	.128 (3.3)	.913 (23.2)	1.3750-0.1P-0.3L-TS	.234 (5.9)	1.250 (31.8)	1.156 (29.4)	1.250 (31.8)	1.410 (35.8)
23	H	1.688 (42.9)	.242 (6.1)	.154 (3.9)	.913 (23.2)	1.5000-0.1P-0.3L-TS	.234 (5.9)	1.375 (34.9)	1.250 (31.8)	1.360 (34.5)	1.530 (38.9)
25	J	1.812 (46.0)	.242 (6.1)	.154 (3.9)	.913 (23.2)	1.6250-0.1P-0.3L-TS	.234 (5.9)	1.500 (38.1)	1.375 (34.9)	1.470 (37.3)	1.660 (42.2)

Dimensions are in inches (mm). † Max panel thickness applies only to rear mount applications to ensure proper coupling clearance.



Panel Cutout

Kits with 03 accessory option will use R1 mounting hole positions.

Rev. 2211