

Jam Nut Receptacle (Hermetic)

TX Series • MIL-DTL-38999 Series III Style Connectors

TX13 HA 13-4 P N - 02



- 1
- 2
- 3
- 4
- 5
- 6

- 1 **BASIC PART NUMBER**
TX13 Hermetic jam nut receptacle
 Helium leakage <math> < 1.0 \times 10^{-6}</math> cc³/sec at
 15 psi (1.1 kg/cm²). Insert rated to 14,000 psi
 (984 kg/cm²) when precision welded or soldered.
- 2 **MATERIAL & FINISH**
H Carbon steel, tin plating over nickel
HA 316L type stainless steel, passivated
HB 316L type stainless steel, electrodeposited nickel
HG Same as HB, for space-grade applications
- 3 **SHELL SIZE & INSERT ARRANGEMENT**
 See Insert Arrangement Selection table, p. B-19
 (Verify hermetic availability on table)
- 4 **CONTACT STYLE**
P Pin only, gold plated
H* Socket, gold plated
(PC tail contacts available, contact your authorized distributor)
- 5 **ALTERNATE KEYING**
N NORMAL or A, B, C, D, E
- 6 **OPTIONAL ACCESSORY KIT (OMIT FOR NONE)**
02 Protective cover

* Please consult an authorized distributor for lead time and minimum quantity requirements.

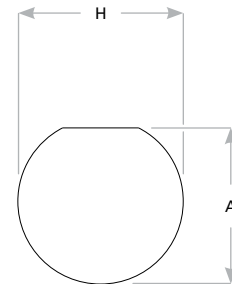
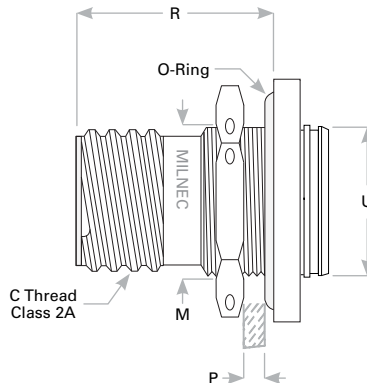
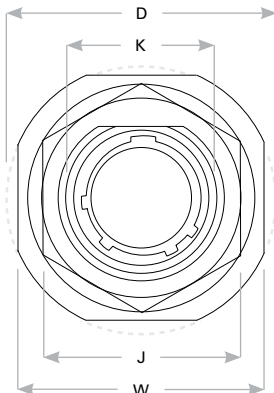
TX13 Compatibility

Compatible Brands	Mates
MIL-DTL-38999 Series III	D38999/26
Aero / Conesys	AE326
Amphenol	TV06, TVS06, CTV06, CTVS06
Deutsch	DTS26
ITT Cannon	KJA6
Souriau	8D5, 8DS06G

Receptacle Dimensions

Shell Size	Military Shell Size	W	D	K	J	R	M	U	C Thread Class 2A	P Max Rear Panel†	H	A
9	A	1.062 (27.0)	1.199 (30.5)	.697 (17.7)	.875 (22.2)	.871 (22.1)	.669 (17.0)	.642 (16.3)	.6250-0.1P-0.3L-TS	.125 (3.2)	.700 (17.8)	.670 (17.0)
11	B	1.250 (31.8)	1.386 (35.2)	.822 (20.9)	1.000 (25.4)	.871 (22.1)	.769 (19.5)	.766 (19.5)	.7500-0.1P-0.3L-TS	.125 (3.2)	.825 (21.0)	.771 (19.6)
13	C	1.375 (34.9)	1.511 (38.4)	1.007 (25.6)	1.188 (30.2)	.878 (22.3)	.955 (24.3)	.892 (22.7)	.8750-0.1P-0.3L-TS	.125 (3.2)	1.010 (25.7)	.955 (24.3)
15	D	1.500 (38.1)	1.636 (41.6)	1.134 (28.8)	1.312 (33.3)	.878 (22.3)	1.084 (27.5)	1.018 (25.9)	1.0000-0.1P-0.3L-TS	.125 (3.2)	1.135 (28.8)	1.085 (27.6)
17	E	1.625 (41.3)	1.761 (44.7)	1.259 (32.0)	1.438 (36.5)	.878 (22.3)	1.208 (30.7)	1.142 (29.0)	1.1875-0.1P-0.3L-TS	.125 (3.2)	1.260 (32.0)	1.210 (30.7)
19	F	1.182 (30.0)	1.949 (49.5)	1.384 (35.2)	1.562 (39.7)	.878 (22.3)	1.333 (33.9)	1.268 (32.2)	1.2500-0.1P-0.3L-TS	.125 (3.2)	1.385 (35.2)	1.335 (33.9)
21	G	1.938 (49.2)	2.073 (52.7)	1.507 (38.3)	1.688 (42.9)	.878 (22.3)	1.459 (37.1)	1.392 (35.4)	1.3750-0.1P-0.3L-TS	.125 (3.2)	1.510 (38.4)	1.460 (37.1)
23	H	2.062 (52.4)	2.199 (55.9)	1.634 (41.5)	1.812 (46.0)	.878 (22.3)	1.575 (40.0)	1.518 (38.6)	1.5000-0.1P-0.3L-TS	.125 (3.2)	1.635 (41.5)	1.585 (40.3)
25	J	2.188 (55.6)	2.323 (59.0)	1.759 (44.7)	2.000 (50.8)	.878 (22.3)	1.709 (43.4)	1.642 (41.7)	1.6250-0.1P-0.3L-TS	.125 (3.2)	1.760 (44.7)	1.710 (43.4)

Dimensions are in inches (mm). † Max panel thickness will ensure proper coupling clearance.



Panel Cutout

Rev. 1949