

Solder Mount Receptacle (Hermetic)

TX Series • MIL-DTL-38999 Series III Style Connectors



TX19 HA 11-99 P N - 02



- 1 **BASIC PART NUMBER**
TX19 Hermetic solder mount receptacle
 Helium leakage <math> < 1.0 \times 10^{-6}</math> cc³/sec at 15 psi (1.1 kg/cm²). Insert rated to 14,000 psi (984 kg/cm²) when precision welded or soldered.
- 2 **MATERIAL & FINISH**
H Carbon steel, tin plating over nickel
HA 316L type stainless steel, passivated
HB 316L type stainless steel, electrodeposited nickel
HG Same as HB, for space-grade applications
- 3 **SHELL SIZE & INSERT ARRANGEMENT**
 See Insert Arrangement Selection table, p. B-19
 (Verify hermetic availability on table)
- 4 **CONTACT STYLE**
P Pin only, gold plated
H* Socket, gold plated
(PC tail contacts available, contact your authorized distributor)
- 5 **ALTERNATE KEYING**
N NORMAL or A, B, C, D, E
- 6 **OPTIONAL ACCESSORY KIT (OMIT FOR NONE)**
02 Protective cover

* Please consult an authorized distributor for lead time and minimum quantity requirements.

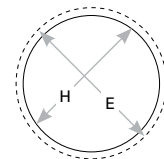
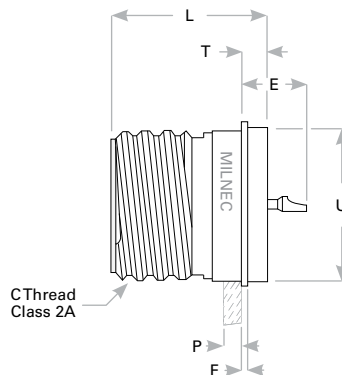
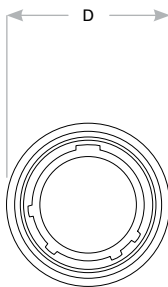
TX19 Compatibility

| Compatible Brands | Mates |
|--------------------------|----------------------------|
| MIL-DTL-38999 Series III | D38999/26 |
| Aero / Conesys | AE326 |
| Amphenol | TV06, TVS06, CTV06, CTVS06 |
| Deutsch | DTS26 |
| ITT Cannon | KJA6 |
| Souriau | 8D5, 8DS06G |

Receptacle Dimensions

| Shell Size | Military Shell Size | D | C Thread Class 2A | L | F | T | E | U | P Max Rear Panel† | H Front Mount | E Rear Mount |
|------------|---------------------|--------------|---------------------|-------------|------------|------------|------------|--------------|-------------------|---------------|--------------|
| 9 | A | .750 (19.1) | .6250-0.1P-0.3L-TS | .806 (20.5) | .031 (0.8) | .125 (3.2) | .375 (9.5) | .672 (17.1) | .234 (5.9) | .702 (17.8) | .650 (16.5) |
| 11 | B | .844 (21.4) | .7500-0.1P-0.3L-TS | .806 (20.5) | .031 (0.8) | .125 (3.2) | .375 (9.5) | .781 (19.8) | .234 (5.9) | .811 (20.6) | .800 (20.3) |
| 13 | C | .969 (24.6) | .8750-0.1P-0.3L-TS | .806 (20.5) | .031 (0.8) | .125 (3.2) | .375 (9.5) | .906 (23.0) | .234 (5.9) | .936 (23.8) | .910 (23.1) |
| 15 | D | 1.094 (27.8) | 1.0000-0.1P-0.3L-TS | .806 (20.5) | .031 (0.8) | .125 (3.2) | .375 (9.5) | 1.031 (26.2) | .234 (5.9) | 1.061 (27.0) | 1.040 (26.4) |
| 17 | E | 1.218 (30.9) | 1.1875-0.1P-0.3L-TS | .806 (20.5) | .031 (0.8) | .125 (3.2) | .375 (9.5) | 1.156 (29.4) | .234 (5.9) | 1.186 (30.1) | 1.210 (30.7) |
| 19 | F | 1.312 (33.3) | 1.2500-0.1P-0.3L-TS | .806 (20.5) | .031 (0.8) | .125 (3.2) | .375 (9.5) | 1.250 (31.8) | .234 (5.9) | 1.280 (32.5) | 1.280 (32.5) |
| 21 | G | 1.438 (36.5) | 1.3750-0.1P-0.3L-TS | .806 (20.5) | .031 (0.8) | .125 (3.2) | .375 (9.5) | 1.375 (34.9) | .234 (5.9) | 1.405 (35.7) | 1.410 (35.8) |
| 23 | H | 1.563 (39.7) | 1.5000-0.1P-0.3L-TS | .838 (21.3) | .031 (0.8) | .156 (4.0) | .375 (9.5) | 1.500 (38.1) | .234 (5.9) | 1.530 (38.9) | 1.530 (38.9) |
| 25 | J | 1.688 (42.9) | 1.6250-0.1P-0.3L-TS | .838 (21.3) | .031 (0.8) | .156 (4.0) | .375 (9.5) | 1.625 (41.3) | .234 (5.9) | 1.655 (42.0) | 1.660 (42.2) |

Dimensions are in inches (mm). † Max panel thickness applies only to rear mount applications to ensure proper coupling clearance.



Panel Cutout

Rev. 1949