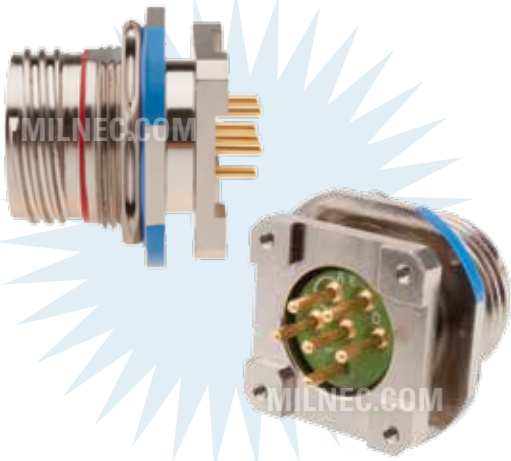


Jam Nut Recept. W/ PCB Standoff

TX Series • MIL-DTL-38999 Series III Style Connectors



TX37 N 13-35 X 1 U N - 02

- 1 **BASIC PART NUMBER**
TX37 Jam nut receptacle with PCB standoff flange
- 2 **MATERIAL & FINISH**
N Aluminum, electroless nickel
W Aluminum, olive drab cadmium
K Stainless steel, passivated (firewall)
- 3 **SHELL SIZE & INSERT ARRANGEMENT**
See Insert Arrangement Selection table, p. B-19
- 4 **CONTACT STYLE**
X Pin
Y Socket
- 5 **PC TAIL LENGTH (CUSTOM LENGTHS AVAILABLE)**
1 0.098 (2.5) 4 0.236 (6.0)
2 0.177 (4.5) 5 0.472 (12.0)
3 0.217 (5.5) 6 0.707 (18.0)
- 6 **THREAD TYPE**
U 4-40 UNC threads
M M3 metric threads
- 7 **ALTERNATE KEYING**
N NORMAL or A, B, C, D, E
- 8 **OPTIONAL ACCESSORY KIT (OMIT FOR NONE)**
02 Protective cover

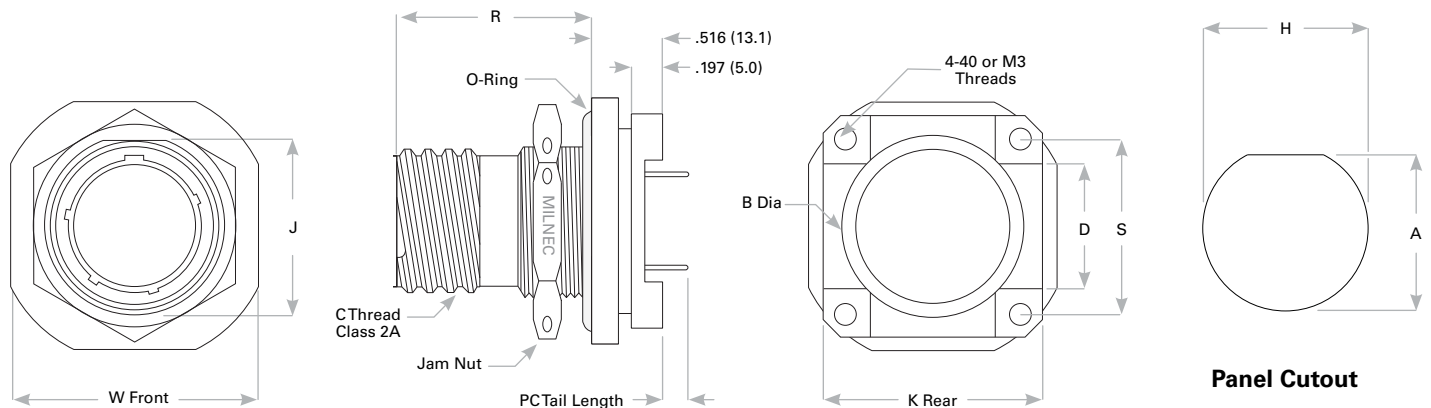
TX37 Compatibility

Compatible Brands	Mates
MIL-DTL-38999 Series III	D38999/26
Aero / Conesys	AE326
Amphenol	TV06, TVS06, CTV06, CTVS06
Deutsch	DTS26
ITT Cannon	KJA6
Souriau	8D5, 8DS06G

Receptacle Dimensions

Shell Size	Military Shell Size	W Front	J	K Rear	D	C Thread Class 2A	S	R	B Dia	H	A
9	A	1.063 (27.0)	.651 (16.5)	.938 (23.6)	.315 (8.0)	.6250-0.1P-0.3L-TS	.630 (16.0)	.871 (22.1)	.520 (13.2)	.700 (17.8)	.670 (17.0)
11	B	1.252 (31.8)	.751 (19.1)	1.031 (26.2)	.394 (10.0)	.7500-0.1P-0.3L-TS	.719 (18.3)	.871 (22.1)	.661 (16.8)	.825 (21.0)	.771 (19.6)
13	C	1.374 (34.9)	.938 (23.8)	1.125 (28.6)	.512 (13.0)	.8750-0.1P-0.3L-TS	.812 (20.6)	.878 (22.3)	.795 (20.2)	1.010 (25.7)	.955 (24.3)
15	D	1.500 (38.1)	1.062 (30.0)	1.219 (31.0)	.591 (15.0)	1.0000-0.1P-0.3L-TS	.906 (23.0)	.878 (22.3)	.937 (23.8)	1.135 (28.8)	1.085 (27.6)
17	E	1.626 (41.3)	1.187 (30.2)	1.312 (33.3)	.669 (17.0)	1.1875-0.1P-0.3L-TS	1.028 (26.1)	.878 (22.3)	1.024 (26.0)	1.260 (32.0)	1.210 (30.7)
19	F	1.811 (46.0)	1.312 (33.3)	1.438 (36.5)	.748 (19.0)	1.2500-0.1P-0.3L-TS	1.072 (27.2)	.878 (22.3)	1.161 (29.5)	1.385 (35.2)	1.335 (33.9)
21	G	1.937 (49.2)	1.437 (36.5)	1.562 (39.7)	.827 (21.0)	1.3750-0.1P-0.3L-TS	1.156 (29.4)	.878 (22.3)	1.268 (32.2)	1.510 (38.4)	1.460 (37.1)
23	H	2.063 (52.4)	1.562 (39.7)	1.688 (42.9)	.945 (24.0)	1.5000-0.1P-0.3L-TS	1.250 (31.8)	.878 (22.3)	1.398 (35.5)	1.635 (41.5)	1.585 (40.3)
25	J	2.189 (55.6)	1.687 (42.9)	1.812 (46.0)	1.024 (26.0)	1.6250-0.1P-0.3L-TS	1.375 (35.0)	.878 (22.3)	1.520 (38.6)	1.760 (44.7)	1.710 (43.4)

Dimensions are in inches (mm).



Rev. 1338.1