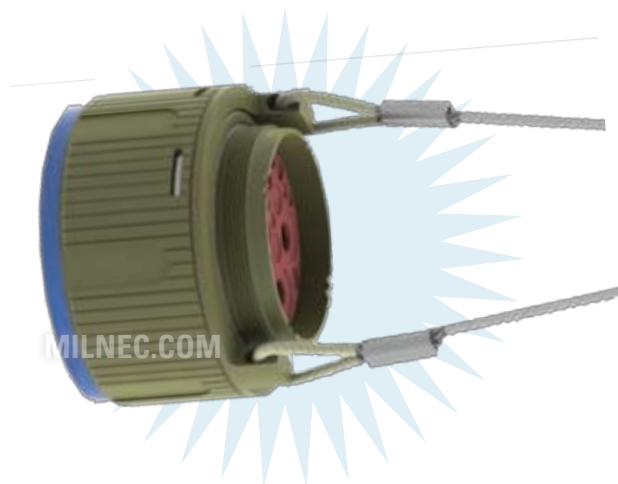


# Lanyard Release Plug

TX Series • MIL-DTL-38999 Series III Style Connectors

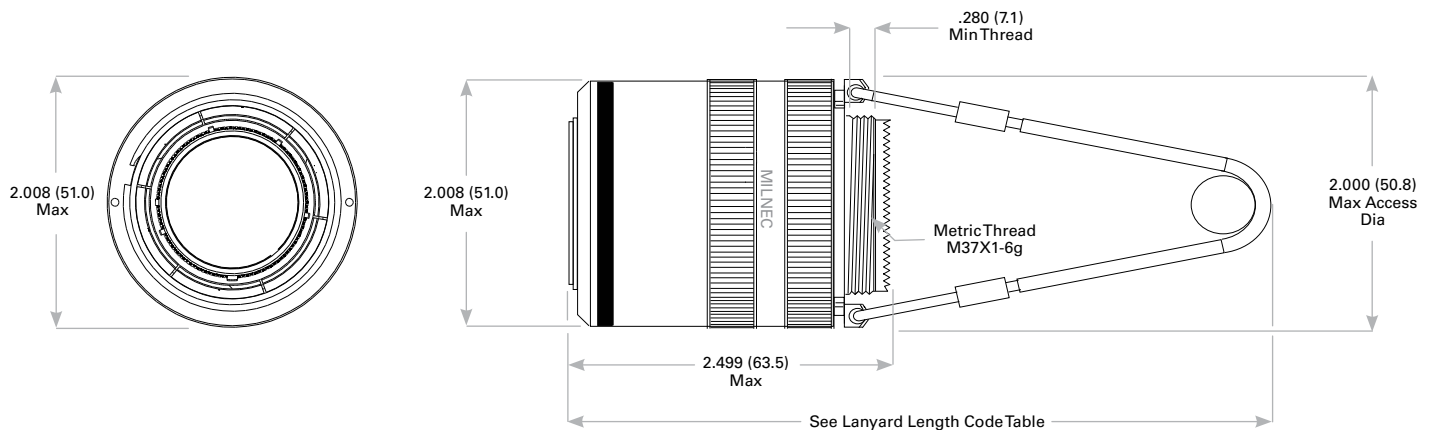


## TX31 W 25-20 H P N - L4 - 01

- 1 **BASIC PART NUMBER**  
TX31 Lanyard release plug, D38999/31 type 1 shell  
Per MIL-DTL-38999, MIL-STD-1760
- 2 **MATERIAL & FINISH**  
N Aluminum, electroless nickel  
W Aluminum, olive drab cadmium  
K Stainless steel, passivated (firewall)
- 3 **SHELL SIZE & INSERT ARRANGEMENT**  
25-20 10 x #20, 13 x #16, 4 x #12 coax, 3 x #8 twinax  
25-11 2 x #20, 9 x #10
- 4 **LANYARD LENGTH CODE**  
H See Lanyard Length Code table
- 5 **CONTACT STYLE**  
P Pin contacts only
- 6 **ALTERNATE KEYING**  
N NORMAL or A, B, C, D, E
- 7 **OPTIONAL BACKSHELL KIT (OMIT FOR NONE)**  
L4 90° low profile backshell
- 8 **OPTIONAL ACCESSORY KIT (OMIT FOR NONE)**  
01 Protective cover

### TX31 Cross-Reference & Compatibility

Compatible Brands	Equivalents	Mates
MIL-DTL-38999 Series III	D38999/31 Type 1	D38999/20, D38999/24
Amphenol	T3W-16B25	TVP00, TVPS00, TVP07, TVPS07
Deutsch	-	DTS20, DTS24
ITT Cannon	-	KJA0, KJA7
Souriau	8D36	8D0, 8D1, 8D7, 8DS00, 8DS07



### Pin Contact Data

Insert Arrangement	Service Rating	Total Contacts	Contact				
			#20	#16	#12 (Coax)	#10	#8 (Twinax)
25-20	N	30	10	13	4	-	3
25-11	N	11	2	-	-	9	-

### Lanyard Separation Forces

Shell Size	Straight Pull	15 Degree Pull
25	90 lbs. Max	100 lbs. Max

### Lanyard Length Code

Lanyard Length Code	Approximate Lanyard Length
E	6.024 (153.0)
F	6.535 (166.0)
G	7.008 (178.0)
H	7.520 (191.0)
I	7.992 (203.0)
J	8.504 (216.0)
K	9.016 (229.0)
L	9.528 (242.0)

Dimensions are in inches (mm).

Rev. 1718