

# MS17348 Connector Type Datasheet

QS Series • MIL-DTL-22992 QWLD Type Connectors

## QS08 C 22-2 S W - 02

- 1 **BASIC PART NUMBER**  
**QS08** Solder jam nut box mount receptacle  
**QC08** Crimp jam nut box mount receptacle
- 2 **MATERIAL & FINISH**  
**C** Aluminum, conductive (environmental)  
**CP** Aluminum, conductive (pressurized)  
**N** Aluminum, non-conductive (environmental)
- 3 **SHELL SIZE & INSERT PATTERN**  
 See Insert Arrangement Selection table, p. W-10
- 4 **CONTACT STYLE**  
**P** Pin  
**S** Socket
- 5 **ALTERNATE ROTATION**  
**N** NORMAL or W, X, Y, Z
- 6 **OPTIONAL ACCESSORY KIT (OMIT FOR NONE)**  
**02** Protective cover

**Note:** See part builder (p. W-9) for additional kit options.



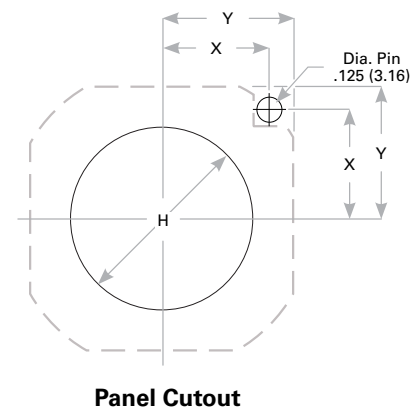
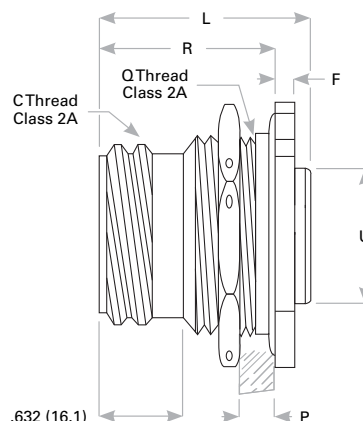
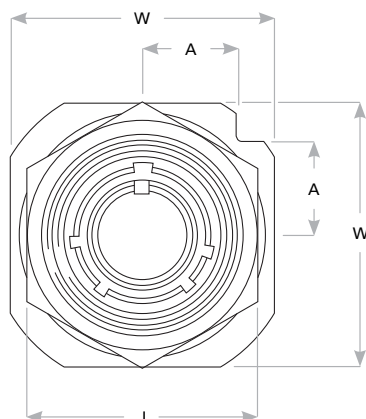
### QS08 Cross-Reference & Compatibility

Compatible Brands	Equivalents	Mates
<b>MIL-DTL-22992 QWLD</b>	MS17348	MS17344
<b>Amphenol</b>	10-1949, 88-1949	10-1946, 88-1946
<b>ITT Cannon</b>	CWLD08	CWLD06

### Receptacle Dimensions

Shell Size	W	A	J Hex	C Thread Class 2A	L	R	F	U	P Max Rear Panel	Y	X	H
12	1.375 (34.9)	.486 (12.3)	1.250 (31.8)	.8750-0.1P-0.2L-DS	1.578 (40.1)	1.235 (31.4)	.125 (3.2)	.640 (16.3)	.188 (4.8)	.688 (17.5)	.562 (14.3)	1.005 (25.5)
14	1.500 (38.1)	.530 (13.5)	1.312 (33.3)	1.0000-0.1P-0.2L-DS	1.578 (40.1)	1.235 (31.4)	.125 (3.2)	.765 (19.4)	.188 (4.8)	.750 (19.1)	.606 (15.4)	1.130 (28.7)
16	1.750 (44.5)	.623 (15.8)	1.500 (38.1)	1.1250-0.1P-0.2L-DS	1.578 (40.1)	1.235 (31.4)	.188 (4.8)	.890 (22.6)	.188 (4.8)	.875 (22.2)	.699 (17.8)	1.255 (31.9)
18	1.875 (47.6)	.663 (16.8)	1.562 (39.7)	1.2500-0.1P-0.2L-DS	1.578 (40.1)	1.203 (30.6)	.188 (4.8)	1.015 (25.8)	.203 (5.2)	.938 (23.8)	.739 (18.8)	1.380 (35.1)
20	2.000 (50.8)	.707 (18.0)	1.750 (44.5)	1.3750-0.1P-0.2L-DS	1.578 (40.1)	1.203 (30.6)	.188 (4.8)	1.171 (29.7)	.203 (5.2)	1.000 (25.4)	.783 (19.9)	1.505 (38.2)
22	2.125 (54.0)	.751 (19.1)	1.875 (47.6)	1.5000-0.1P-0.2L-DS	1.578 (40.1)	1.203 (30.6)	.188 (4.8)	1.296 (32.9)	.203 (5.2)	1.062 (27.0)	.830 (21.1)	1.630 (41.4)
24	2.375 (60.3)	.840 (21.3)	2.125 (54.0)	1.7500-0.1P-0.2L-DS	1.641 (41.7)	1.266 (32.2)	.188 (4.8)	1.421 (36.1)	.265 (6.7)	1.188 (30.2)	.919 (23.3)	1.880 (47.8)
28	2.625 (66.7)	.928 (23.6)	2.375 (60.3)	2.0000-0.1P-0.2L-DS	1.641 (41.7)	1.329 (33.8)	.219 (5.6)	1.625 (41.3)	.277 (7.0)	1.312 (33.3)	1.007 (25.6)	2.130 (54.1)
32	2.875 (73.0)	1.017 (25.8)	2.625 (66.7)	2.2500-0.1P-0.2L-DS	1.641 (41.7)	1.329 (33.8)	.219 (5.6)	1.891 (48.0)	.215 (5.5)	1.438 (36.5)	1.096 (27.8)	2.380 (60.5)
36	3.125 (79.4)	1.104 (28.0)	2.875 (73.0)	2.5000-0.1P-0.2L-DS	1.641 (41.7)	1.329 (33.8)	.219 (5.6)	2.078 (52.8)	.215 (5.5)	1.562 (39.7)	1.183 (30.1)	2.630 (66.8)

Dimensions are in inches (mm).



Rev. 1923

SD