

90° Environmental Backshell

TM Series • MIL-DTL-5015 Crimp Type Connectors



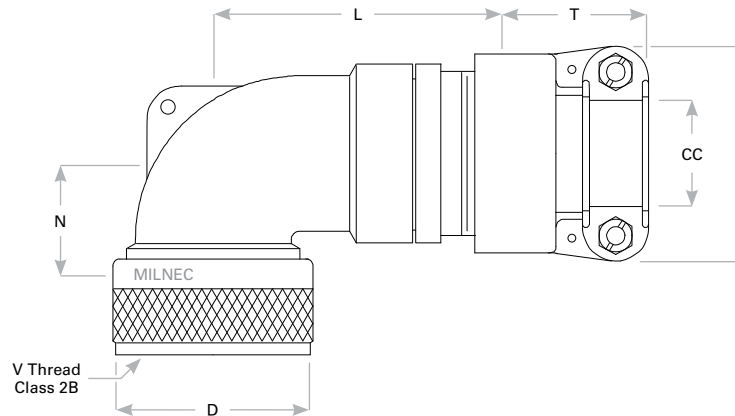
TME4 - 009 N

- 1 **BASIC PART NUMBER**
TME4 90° environmental backshell
- 2 **DASH NO.**
See Backshell Dimensions table below
- 3 **MATERIAL & FINISH**
N Aluminum, electroless nickel
W Aluminum, olive drab cadmium

Note: See part builder (p. K-11) for additional kit options.

TME4 Compatibility

Compatible Brands	Connectors
MIL-DTL-5015 Crimp	MS3450, MS3451, MS3454, MS3456, MS3459
Aero Electric	AE550, AE551, AE554, AE556, AE559
Amphenol / Matrix	9440, 9441, 9444, 9446, 9816
J-Tech / Conesys	DC60, DC61, DC62, DC63
ITT Cannon	CV3450, CV3451, CV3454, CV3456, CV3459



Backshell Dimensions

Dash No.	Shell Size	V Thread Class 2B	N	T	D	B	L	CC Cable Clearance	
								Min	Max
004	10	.625-24 UNEF	.761 (19.3)	1.027 (26.1)	.734 (18.6)	.957 (24.3)	1.982 (50.3)	.125 (3.2)	.312 (7.9)
005	10	.625-24 UNEF	.761 (19.3)	1.027 (26.1)	.734 (18.6)	1.145 (29.1)	1.382 (35.1)	.250 (6.4)	.375 (9.5)
049	10	.625-24 UNEF	1.516 (38.5)	1.027 (26.1)	.734 (18.6)	1.145 (29.1)	2.002 (50.9)	.250 (6.4)	.437 (11.1)
006	12	.750-20 UNEF	.766 (19.5)	1.027 (26.1)	.858 (21.8)	.957 (24.3)	2.002 (50.9)	.125 (3.2)	.312 (7.9)
007	12	.750-20 UNEF	.766 (19.5)	1.027 (26.1)	.858 (21.8)	1.145 (29.1)	2.002 (50.9)	.250 (6.4)	.437 (11.1)
008	12	.750-20 UNEF	.766 (19.5)	1.027 (26.1)	.858 (21.8)	1.332 (33.8)	1.397 (35.5)	.350 (8.9)	.500 (12.7)
071	12	.750-20 UNEF	1.811 (46.0)	1.027 (26.1)	.858 (21.8)	1.332 (33.8)	2.162 (54.9)	.350 (8.9)	.625 (15.9)
074	14	.875-20 UNEF	.866 (22.0)	1.027 (26.1)	.984 (25.0)	.957 (24.3)	2.072 (52.6)	.125 (3.2)	.312 (7.9)
009	14	.875-20 UNEF	.866 (22.0)	1.027 (26.1)	.984 (25.0)	1.145 (29.1)	2.072 (52.6)	.250 (6.4)	.437 (11.1)
010	14	.875-20 UNEF	.866 (22.0)	1.027 (26.1)	.984 (25.0)	1.332 (33.8)	1.717 (43.6)	.350 (8.9)	.575 (14.6)
050	14	.875-20 UNEF	1.891 (48.0)	1.059 (26.9)	.984 (25.0)	1.551 (39.4)	2.332 (59.2)	.500 (12.7)	.750 (19.1)

Dimensions are in inches (mm).

(Continued on next page)

Rev. 1806

Backshell Dimensions (Continued from previous page)

Dash No.	Shell Size	V Thread Class 2B	N	T	D	B	L	CC Cable Clearance	
								Min	Max
075	16	1.000-20 UNEF	1.051 (26.7)	1.027 (26.1)	1.112 (28.2)	.957 (24.3)	2.162 (54.9)	.125 (3.2)	.312 (7.9)
011	16	1.000-20 UNEF	1.051 (26.7)	1.027 (26.1)	1.112 (28.2)	1.145 (29.1)	2.162 (54.9)	.250 (6.4)	.437 (11.1)
040	16	1.000-20 UNEF	1.051 (26.7)	1.027 (26.1)	1.112 (28.2)	1.332 (33.8)	2.162 (54.9)	.350 (8.9)	.625 (15.9)
012	16	1.000-20 UNEF	1.051 (26.7)	1.059 (26.9)	1.112 (28.2)	1.551 (39.4)	1.807 (45.9)	.500 (12.7)	.700 (17.8)
051	16	1.000-20 UNEF	2.041 (51.8)	1.156 (29.4)	1.112 (28.2)	1.770 (45.0)	2.442 (62.0)	.625 (15.9)	.937 (23.8)
041	18	1.062-18 UNEF	1.141 (29.0)	1.027 (26.1)	1.218 (30.9)	.957 (24.3)	2.332 (59.2)	.125 (3.2)	.312 (7.9)
042	18	1.062-18 UNEF	1.141 (29.0)	1.027 (26.1)	1.218 (30.9)	1.145 (29.1)	2.332 (59.2)	.250 (6.4)	.437 (11.1)
013	18	1.062-18 UNEF	1.141 (29.0)	1.027 (26.1)	1.218 (30.9)	1.332 (33.8)	2.332 (59.2)	.350 (8.9)	.625 (15.9)
052	18	1.062-18 UNEF	1.141 (29.0)	1.059 (26.9)	1.218 (30.9)	1.551 (39.4)	2.332 (59.2)	.500 (12.7)	.750 (19.1)
014	18	1.062-18 UNEF	1.141 (29.0)	1.156 (29.4)	1.218 (30.9)	1.770 (45.0)	1.982 (50.3)	.625 (15.9)	.779 (19.8)
072	18	1.062-18 UNEF	2.051 (52.1)	1.156 (29.4)	1.218 (30.9)	1.770 (45.0)	2.442 (62.0)	.625 (15.9)	.937 (23.8)
043	20	1.188-18 UNEF	1.141 (29.0)	1.027 (26.1)	1.345 (34.2)	1.145 (29.1)	2.332 (59.2)	.250 (6.4)	.437 (11.1)
015	20	1.188-18 UNEF	1.141 (29.0)	1.027 (26.1)	1.345 (34.2)	1.332 (33.8)	2.332 (59.2)	.350 (8.9)	.625 (15.9)
054	20	1.188-18 UNEF	1.141 (29.0)	1.059 (26.9)	1.345 (34.2)	1.551 (39.4)	2.332 (59.2)	.500 (12.7)	.750 (19.1)
016	20	1.188-18 UNEF	1.141 (29.0)	1.156 (29.4)	1.345 (34.2)	1.770 (45.0)	1.982 (50.3)	.625 (15.9)	.904 (23.0)
055	20	1.188-18 UNEF	2.141 (54.4)	1.375 (34.9)	1.345 (34.2)	2.113 (53.7)	2.612 (66.3)	.875 (22.2)	1.250 (31.8)
044	22	1.313-18 UNEF	1.291 (32.8)	1.027 (26.1)	1.468 (37.3)	.957 (24.3)	2.442 (62.0)	.125 (3.2)	.312 (7.9)
045	22	1.313-18 UNEF	1.291 (32.8)	1.027 (26.1)	1.468 (37.3)	1.145 (29.1)	2.442 (62.0)	.250 (6.4)	.437 (11.1)
056	22	1.313-18 UNEF	1.291 (32.8)	1.027 (26.1)	1.468 (37.3)	1.332 (33.8)	2.442 (62.0)	.350 (8.9)	.625 (15.9)
017	22	1.313-18 UNEF	1.291 (32.8)	1.059 (26.9)	1.468 (37.3)	1.551 (39.4)	2.442 (62.0)	.500 (12.7)	.750 (19.1)
057	22	1.313-18 UNEF	1.291 (32.8)	1.156 (29.4)	1.468 (37.3)	1.770 (45.0)	2.442 (62.0)	.625 (15.9)	.937 (23.8)
018	22	1.313-18 UNEF	1.291 (32.8)	1.375 (34.9)	1.468 (37.3)	2.113 (53.7)	2.087 (53.0)	.875 (22.2)	1.029 (26.1)
058	22	1.313-18 UNEF	2.141 (54.4)	1.375 (34.9)	1.468 (37.3)	2.113 (53.7)	2.612 (66.3)	.875 (22.2)	1.250 (31.8)
046	24	1.438-18 UNEF	1.291 (32.8)	1.027 (26.1)	1.593 (40.5)	1.332 (33.8)	2.442 (62.0)	.350 (8.9)	.625 (15.9)
019	24	1.438-18 UNEF	1.291 (32.8)	1.059 (26.9)	1.593 (40.5)	1.551 (39.4)	2.442 (62.0)	.500 (12.7)	.750 (19.1)
059	24	1.438-18 UNEF	1.291 (32.8)	1.156 (29.4)	1.593 (40.5)	1.770 (45.0)	2.442 (62.0)	.625 (15.9)	.937 (23.8)
020	24	1.438-18 UNEF	1.291 (32.8)	1.375 (34.9)	1.593 (40.5)	2.113 (53.7)	2.087 (53.0)	.875 (22.2)	1.114 (28.3)
073	24	1.438-18 UNEF	2.151 (54.6)	1.375 (34.9)	1.593 (40.5)	2.116 (53.7)	2.612 (66.3)	.875 (22.2)	1.250 (31.8)
060	28	1.750-18 UNS	1.391 (35.3)	1.059 (26.9)	1.969 (50.0)	1.551 (39.4)	2.612 (66.3)	.500 (12.7)	.750 (19.1)
021	28	1.750-18 UNS	1.391 (35.3)	1.156 (29.4)	1.969 (50.0)	1.770 (45.0)	2.612 (66.3)	.625 (15.9)	.937 (23.8)
061	28	1.750-18 UNS	1.391 (35.3)	1.375 (34.9)	1.969 (50.0)	2.113 (53.7)	2.612 (66.3)	.875 (22.2)	1.250 (31.8)
022	28	1.750-18 UNS	1.391 (35.3)	1.500 (38.1)	1.969 (50.0)	2.363 (60.0)	2.257 (57.3)	1.000 (25.4)	1.375 (34.9)
023	32	2.000-18 UNS	1.741 (44.2)	1.156 (29.4)	2.219 (56.4)	1.770 (45.0)	2.862 (72.7)	.625 (15.9)	.937 (23.8)
024	32	2.000-18 UNS	1.741 (44.2)	1.375 (34.9)	2.219 (56.4)	2.113 (53.7)	2.862 (72.7)	.875 (22.2)	1.250 (31.8)
062	32	2.000-18 UNS	1.741 (44.2)	1.500 (38.1)	2.219 (56.4)	2.363 (60.0)	2.862 (72.7)	1.000 (25.4)	1.375 (34.9)
025	32	2.000-18 UNS	1.741 (44.2)	1.781 (45.2)	2.219 (56.4)	2.770 (70.4)	2.507 (63.7)	1.250 (31.8)	1.625 (41.3)
047	36	2.250-16 UN	1.941 (49.3)	1.059 (26.9)	2.469 (62.7)	1.551 (39.4)	2.832 (71.9)	.500 (12.7)	.750 (19.1)
026	36	2.250-16 UN	1.941 (49.3)	1.156 (29.4)	2.469 (62.7)	1.770 (45.0)	2.832 (71.9)	.625 (15.9)	.937 (23.8)
063	36	2.250-16 UN	1.941 (49.3)	1.375 (34.9)	2.469 (62.7)	2.113 (53.7)	2.832 (71.9)	.875 (22.2)	1.250 (31.8)
027	36	2.250-16 UN	1.941 (49.3)	1.500 (38.1)	2.469 (62.7)	2.363 (60.0)	2.832 (71.9)	1.000 (25.4)	1.375 (34.9)
064	36	2.250-16 UN	1.941 (49.3)	1.781 (45.2)	2.469 (62.7)	2.770 (70.4)	2.832 (71.9)	1.250 (31.8)	1.625 (41.3)
028	36	2.250-16 UN	1.941 (49.3)	1.830 (46.5)	2.469 (62.7)	3.020 (76.7)	2.477 (62.9)	1.437 (36.5)	1.840 (46.7)

Dimensions are in inches (mm).