

EMI/RFI Banding Boot Adapter

TM Series • MIL-DTL-5015 Crimp Type Connectors

TMD2 - 16 N - K2

- 1 **BASIC PART NUMBER**
 - TMD2** Straight EMI/RFI banding boot adapter
 - TMD3** 45° EMI/RFI banding boot adapter
 - TMD4** 90° EMI/RFI banding boot adapter
(Includes shield termination band TB250, p. K-58)
- 2 **SHELL SIZE**
 - See Backshell Dimensions table below
- 3 **MATERIAL & FINISH**
 - N** Aluminum, electroless nickel
 - W** Aluminum, olive drab cadmium
- 4 **OPTIONAL BOOT KIT (OMIT FOR NONE)**
 - K2** Includes recommended straight shrink boot in standard material 100, p. K-47



TMD2 Compatibility

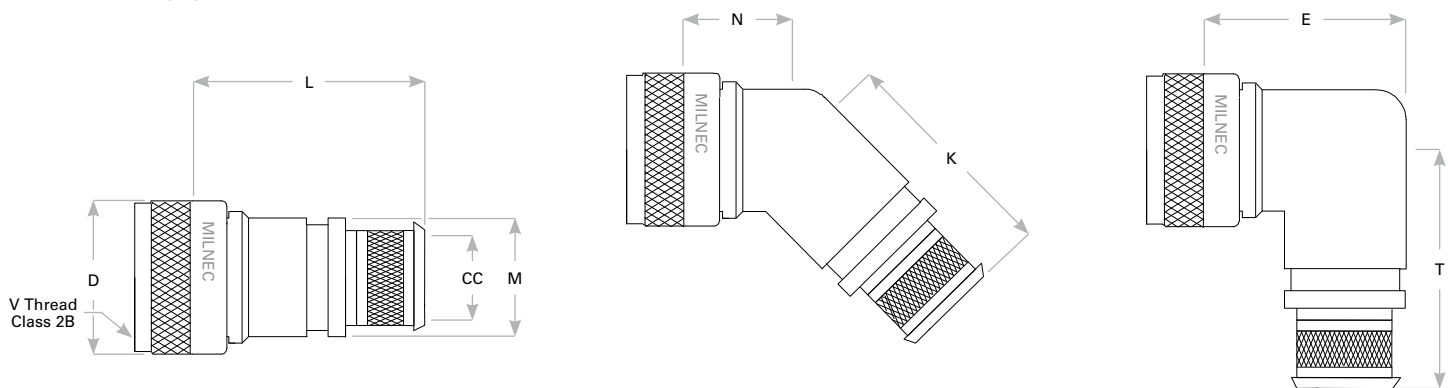
Compatible Brands	Connectors
MIL-DTL-5015 Crimp	MS3450, MS3451, MS3454, MS3456, MS3459
Aero Electric	AE550, AE551, AE554, AE556, AE559
Amphenol / Matrix	9440, 9441, 9444, 9446, 9816
J-Tech / Conesys	DC60, DC61, DC62, DC63
ITT Cannon	CV3450, CV3451, CV3454, CV3456, CV3459

Note: Designed for use with straight shrink boot (TMK2, p. K-47). See part builder (p. K-11) for additional kit options.

Backshell Dimensions

Shell Size	CC Cable Clearance	M	D	L	N	K	E	T	V Thread Class 2B
10	.312 (7.9)	.500 (12.7)	1.010 (25.7)	1.350 (34.3)	.890 (22.6)	1.180 (30.0)	1.281 (32.5)	1.480 (37.6)	.625-24 UNEF
12	.438 (11.1)	.624 (15.8)	1.130 (28.7)	1.350 (34.3)	.920 (23.4)	1.200 (30.5)	1.406 (35.7)	1.542 (39.2)	.750-20 UNEF
14	.562 (14.3)	.750 (19.1)	1.260 (32.0)	1.350 (34.3)	.940 (23.9)	1.220 (31.0)	1.531 (38.9)	1.605 (40.8)	.875-20 UNEF
16	.625 (15.9)	.812 (20.6)	1.380 (35.1)	1.350 (34.3)	.960 (24.4)	1.250 (31.8)	1.656 (42.1)	1.667 (42.3)	1.000-20 UNEF
18	.750 (19.1)	.937 (23.8)	1.510 (38.4)	1.350 (34.3)	.980 (24.9)	1.260 (32.0)	1.718 (43.6)	1.730 (43.9)	1.062-18 UNEF
20	.812 (20.6)	1.000 (25.4)	1.630 (41.4)	1.350 (34.3)	1.000 (25.4)	1.290 (32.8)	1.844 (46.8)	1.792 (45.5)	1.188-18 UNEF
22	.938 (23.8)	1.124 (28.5)	1.760 (44.7)	1.350 (34.3)	1.030 (26.2)	1.310 (33.3)	1.938 (49.2)	1.850 (47.0)	1.313-18 UNEF
24	1.000 (25.4)	1.187 (30.1)	1.880 (47.8)	1.350 (34.3)	1.050 (26.7)	1.340 (34.0)	2.093 (53.2)	1.917 (48.7)	1.438-18 UNEF
28	1.125 (28.6)	1.312 (33.3)	2.130 (54.1)	1.350 (34.3)	1.100 (27.9)	1.380 (35.1)	2.531 (64.3)	2.042 (51.9)	1.750-18 UNS
32	1.250 (31.8)	1.437 (36.5)	2.220 (56.4)	1.375 (34.8)	1.092 (27.7)	1.620 (41.1)	1.593 (40.5)	1.651 (41.9)	2.000-18 UNS
36	1.375 (34.9)	1.562 (39.7)	2.470 (62.7)	1.500 (38.1)	1.136 (28.9)	1.750 (44.5)	1.718 (43.6)	1.781 (45.2)	2.250-16 UN

Dimensions are in inches (mm).



Rev. 1318.1