

# Straight Strain Relief Backshell

TM Series • MIL-DTL-5015 Crimp Type Connectors



## TMB2 - S - 16 N

- 1 **BASIC PART NUMBER**  
TMB2 Straight strain relief backshell
- 2 **COUPLING STYLE**  
N Non-self-locking coupling  
S Self-locking coupling
- 3 **SHELL SIZE**  
See Strain Relief Dimensions table below
- 4 **MATERIAL & FINISH**  
N Aluminum, electroless nickel  
W Aluminum, olive drab cadmium

**Note:** See part builder (p. K-11) for additional kit options.

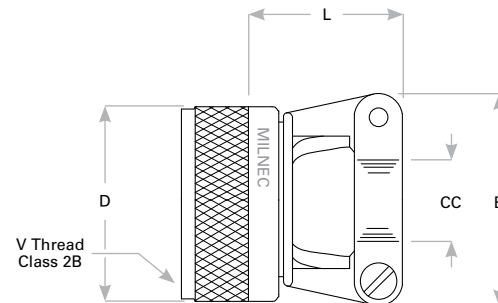
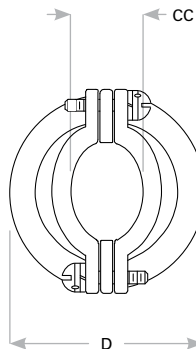
### TMB2 Compatibility

Compatible Brands	Connectors
MIL-DTL-5015 Crimp	MS3450, MS3451, MS3454, MS3456, MS3459
Aero Electric	AE550, AE551, AE554, AE556, AE559
Amphenol / Matrix	9440, 9441, 9444, 9446, 9816
J-Tech / Conesys	DC60, DC61, DC62, DC63
ITT Cannon	CV3450, CV3451, CV3454, CV3456, CV3459

### Strain Relief Dimensions

Shell Size	D	V Thread Class 2B	L	B	CC Cable Clearance	
					Min	Max
10	1.010 (25.7)	.625-24 UNEF	.850 (21.6)	.812 (20.6)	.187 (4.7)	.286 (7.3)
12	1.135 (28.8)	.750-20 UNEF	.980 (24.9)	.968 (24.6)	.291 (7.4)	.416 (10.6)
14	1.260 (32.0)	.875-20 UNEF	.980 (24.9)	1.026 (26.1)	.351 (8.9)	.476 (12.1)
16	1.385 (35.2)	1.000-20 UNEF	1.100 (27.9)	1.299 (33.0)	.501 (12.7)	.626 (15.9)
18	1.510 (38.4)	1.062-18 UNEF	1.350 (34.3)	1.431 (36.3)	.518 (13.2)	.706 (17.9)
20	1.635 (41.5)	1.188-18 UNEF	1.480 (37.6)	1.537 (39.0)	.581 (14.8)	.831 (21.1)
22	1.760 (44.7)	1.313-18 UNEF	1.600 (40.6)	1.633 (41.5)	.644 (16.4)	.956 (24.3)
24	1.885 (47.9)	1.438-18 UNEF	1.730 (43.9)	1.755 (44.6)	.706 (17.9)	1.081 (27.5)
28	2.135 (54.2)	1.750-18 UNS	1.880 (47.8)	2.000 (50.8)	.750 (19.1)	1.187 (30.1)
32	2.395 (60.8)	2.000-18 UNS	2.130 (54.1)	2.366 (60.1)	.875 (22.2)	1.250 (31.8)
36	2.635 (66.9)	2.250-16 UN	2.440 (62.0)	2.476 (62.9)	.938 (23.8)	1.375 (34.9)

Dimensions are in inches (mm).



Rev. 1306.1