

USB 2.0 Wall Mount Receptacle

TX Series • MIL-DTL-38999 Series III Style Connectors

TX00U - N - K2 - 03

- 1 **BASIC PART NUMBER**
TX00U Wall mount receptacle with USB-A 2.0 feed-thru insert with data rate up to 480 Mbps for high-speed USB IP67 rated (when mated or sealed)
- 2 **MATERIAL & FINISH**
N Aluminum, electroless nickel
 48 hr salt spray rating, RoHS compliant
W Aluminum, olive drab cadmium
 500 hr salt spray rating
- 3 **OPTIONAL BACKSHELL KIT** (OMIT FOR NONE)
B2 Straight strain relief (self-locking), p. B-33
K2 Boot adapter, p. B-47, & straight shrink boot, p. B-45
- 4 **OPTIONAL ACCESSORY KIT** (OMIT FOR NONE)
02 Protective cover + mounting gasket
03 02 kit + mounting bracket + sealing screws



IP67 Rated USB-A 2.0 Ruggedized Receptacle

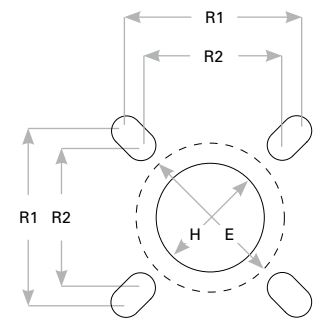
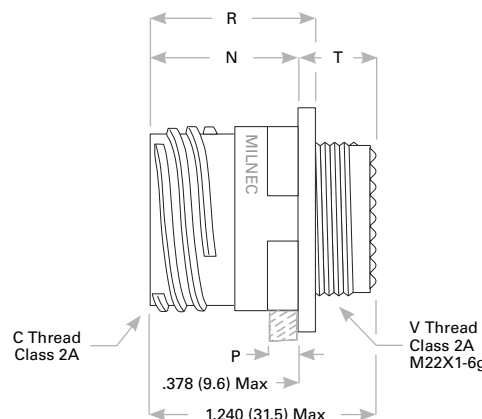
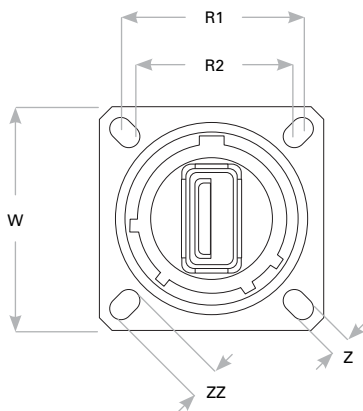
Transform a standard USB-A cord into a ruggedized USB 2.0 receptacle. When mated with matching TX06U plug, or when covered with matched cover (TXCR-15NE), receptacle is environmentally rated to IP67 against moisture, dust, and debris. Receptacle may be kitted with matching cover, gasket, and mounting bracket as well as improved strain relief, or environmentally sealed shrink boots for harsh environments.

Note: No special tooling required for assembly.
 See TX Series catalog for optional backshells and accessories.

Receptacle Dimensions

Shell Size	Military Shell Size	W	ZZ	Z	R	N	T	C Thread Class 2A	P Max Rear Panel*	R1	R2	H Front Mount	E Rear Mount
15	D	1.232 (31.3)	.173 (4.3)	.128 (3.3)	.905 (23.0)	.820 (20.8)	.469 (11.9)	1.0000-0.1P-0.3L-TS	.234 (5.9)	.969 (24.6)	.906 (23.0)	.906 (23.0)	1.047 (26.6)

Dimensions are in inches (mm). * Max panel thickness applies only to rear mount applications to ensure proper coupling clearance.



Panel Cutout

Kits with 03 accessory option will use R1 mounting hole positions.

Matching Accessories

- Protective Cover:** TXCR-15WE (olive drab cadmium)
 TXCR-15NE (electroless nickel)
- Mounting Gasket:** TXGE-15-R1
- Mounting Bracket:** TXMB-15-R1
 TXMB-15-R1-A (with 4x sealing screws)

Specifications

- Fire Retardant/Low Smoke:** UL94 V0 & NF F 16 101 & 16 102
- Coupling Cycles:** 500 (min)
- Humidity:** 21 Days, 109°F (43°C), 98% Humidity
- Temperature Range:** 185°F (85°C) — -40°F (-40°C)
- Shock & Vibration Resistant:** Yes

Rev. 1346.1