

MS27291 Type Strain Relief Backshell

Ry85049 Series • M85049 Type Backshells



Photo for example only

RY27291 - 301

- 1 **BASIC PART NUMBER**
RY27291
MS27291 type
Non-self-locking-strain relief backshell
- 2 **DASH NO.**
See Dimensions table below

RY27291 Compatibility

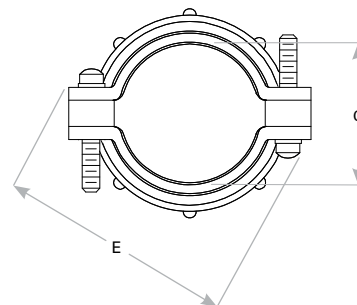
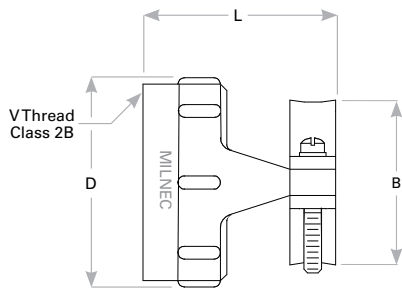
Compatible Connector Series

MIL-DTL-26500

Backshell Dimensions

Dash No.		Shell Size	V Thread Class 2B	D Max	L	E Max	C
Class R & F	Class G						
1	101	10	0.562 - 24 UNEF	0.731 (18.6)	0.935 (23.7)	0.914 (23.2)	0.270 (6.9)
2	201	12	0.750 - 20 UNEF	0.919 (23.3)	0.935 (23.7)	1.026 (26.1)	0.400 (10.2)
3	301	14	0.812 - 20 UNEF	0.981 (24.9)	1.170 (29.7)	1.090 (27.7)	0.460 (11.7)
4	401	16	0.938 - 20 UNEF	1.106 (28.1)	1.170 (29.7)	1.250 (31.8)	0.610 (15.5)
5	501	18	1.062 - 18 UNEF	1.231 (31.3)	1.170 (29.7)	1.358 (34.5)	0.690 (17.5)
6	601	22	1.312 - 18 UNEF	1.481 (37.6)	1.170 (29.7)	1.604 (40.7)	0.940 (23.9)
13	701	8	0.438 - 28 UNEF	0.606 (15.4)	0.935 (23.7)	0.789 (20.0)	0.186 (4.7)
14	801	20	1.188 - 18 UNEF	1.356 (34.4)	1.170 (29.7)	1.481 (37.6)	0.816 (20.7)
15	901	24	1.438 - 18 UNEF	1.606 (40.8)	1.170 (29.7)	1.729 (43.9)	1.066 (27.1)

Dimensions are in inches (mm).



Rev. 1825