

MS27501 Type Protective Plug Cover

Ry85049 Series • M85049 Type Backshells



Photo for example only

Ry27501 Compatibility

Compatible Connector Series

MIL-DTL-38999, Series I

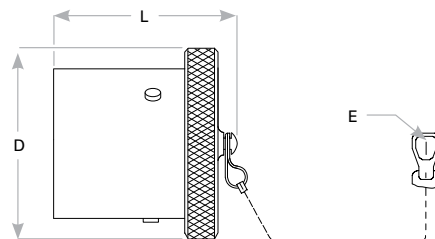
Ry27501 F 15 C L

- 1 **BASIC PART NUMBER**
Ry27501
 MS27051 type
 Protective plug cover
 (supersedes MS20048)
- 2 **MATERIAL & FINISH**
A Aluminum, gold iridite over cadmium over nickel
B Aluminum, olive drab cadmium
C Aluminum, anodize
F Aluminum, electroless nickel
T Aluminum, nickel fluorocarbon polymer
Z Aluminum, black zinc-nickel
- 3 **SHELL SIZE**
 See Dimensions table below
- 4 **ATTACHMENT OPTION**
A No attachment
C Chain
- 5 **LENGTH (OMIT FOR STANDARD)**
L 5.000 (127.0)
M 6.000 (152.4)
N 7.000 (177.8)

Protective Cover Dimensions

Shell Size	L	D	E
9	.902 (22.9)	.820 (20.8)	.167 (4.2)
11	.902 (22.9)	.940 (23.9)	.167 (4.2)
13	.902 (22.9)	1.070 (27.2)	.167 (4.2)
15	.902 (22.9)	1.190 (30.2)	.167 (4.2)
17	.902 (22.9)	1.320 (33.5)	.167 (4.2)
19	.902 (22.9)	1.440 (36.6)	.167 (4.2)
21	.902 (22.9)	1.570 (39.9)	.167 (4.2)
23	.902 (22.9)	1.690 (42.9)	.167 (4.2)
25	.902 (22.9)	1.820 (46.2)	.167 (4.2)

Dimensions are in inches (mm).



Rev. 1825

MS27502 Type Protective Receptacle Cover

Ry85049 Series • M85049 Type Backshells

Ry27502 F 15 C L

- ① **BASIC PART NUMBER**
RY27502
MS27052 type
Protective receptacle cover
(supersedes MS20047)
- ② **MATERIAL & FINISH**
 - A Aluminum, gold iridite over cadmium over nickel
 - B Aluminum, olive drab cadmium
 - C Aluminum, anodize
 - F Aluminum, electroless nickel
 - T Aluminum, nickel fluorocarbon polymer
 - Z Aluminum, black zinc-nickel
- ③ **SHELL SIZE**
See Dimensions table below
- ④ **ATTACHMENT OPTION**
 - A No attachment
 - C Chain
 - N Chain with ring
- ⑤ **LENGTH (OMIT FOR STANDARD)**
L 5.000 (127.0)



Photo for example only

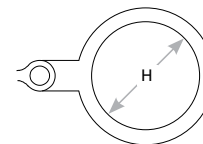
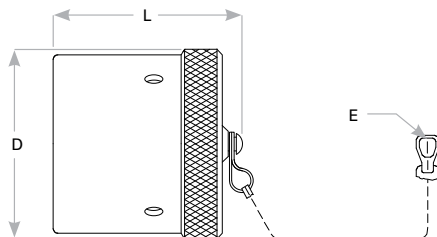
Ry27502 Compatibility

Compatible Connector Series
MIL-DTL-38999, Series I

Protective Cover Dimensions

Shell Size	L	D	H	E
9	.819 (20.8)	.819 (20.8)	.701 (17.8)	.167 (4.2)
11	.819 (20.8)	.941 (23.9)	.839 (21.3)	.167 (4.2)
13	.819 (20.8)	1.098 (27.9)	1.012 (25.7)	.167 (4.2)
15	.819 (20.8)	1.220 (31.0)	1.142 (29.0)	.167 (4.2)
17	.819 (20.8)	1.339 (34.0)	1.260 (32.0)	.167 (4.2)
19	.819 (20.8)	1.461 (37.1)	1.390 (35.3)	.167 (4.2)
21	.819 (20.8)	1.579 (40.1)	1.512 (38.4)	.167 (4.2)
23	.819 (20.8)	1.701 (43.2)	1.645 (41.7)	.167 (4.2)
25	.819 (20.8)	1.831 (46.5)	1.760 (44.7)	.167 (4.2)

Dimensions are in inches (mm).



Jam Nut Ring Attachment

Rev. 1825

MS27510 Type Protective Plug Cover

Ry85049 Series • M85049 Type Backshells



Photo for example only

Ry27510 Compatibility

Compatible Connector Series

MIL-DTL-38999, Series II

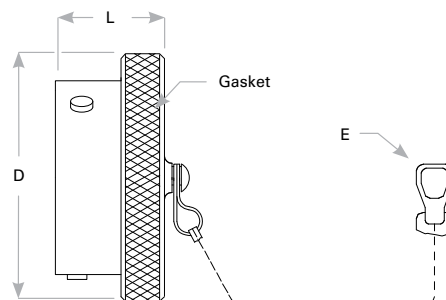
Ry27510 F 15 C L

- 1 **BASIC PART NUMBER**
RY27510
 MS27510 type
 Protective plug cover
 (supersedes MS27352)
- 2 **MATERIAL & FINISH**
A Aluminum, gold iridite over cadmium over nickel
B Aluminum, olive drab cadmium
C Aluminum, anodize
F Aluminum, electroless nickel
- 3 **SHELL SIZE**
 See Dimensions table below
- 4 **ATTACHMENT OPTION**
A No attachment
C Chain
- 5 **LENGTH (OMIT FOR STANDARD)**
L 5.000 (127.0)
M 6.000 (152.4)
N 7.000 (177.8)

Protective Cover Dimensions

Shell Size	L	D	E
8	.570 (14.5)	.720 (18.3)	.167 (4.2)
10	.570 (14.5)	.850 (21.6)	.167 (4.2)
12	.570 (14.5)	1.000 (25.4)	.167 (4.2)
14	.570 (14.5)	1.130 (28.7)	.167 (4.2)
16	.570 (14.5)	1.250 (31.8)	.167 (4.2)
18	.570 (14.5)	1.380 (35.1)	.167 (4.2)
20	.570 (14.5)	1.500 (38.1)	.167 (4.2)
22	.570 (14.5)	1.630 (41.4)	.167 (4.2)
24	.570 (14.5)	1.750 (44.5)	.167 (4.2)

Dimensions are in inches (mm).



Rev. 1825

MS27511 Type Protective Receptacle Cover

Ry85049 Series • M85049 Type Backshells

Ry27511 F 14 C L

- 1
- 2
- 3
- 4
- 5

1 BASIC PART NUMBER

Ry27511

MS27511 type
Protective receptacle cover
(supersedes MS27353)

2 MATERIAL & FINISH

- A** Aluminum, gold iridite over cadmium over nickel
- B** Aluminum, olive drab cadmium
- C** Aluminum, anodize
- F** Aluminum, electroless nickel

3 SHELL SIZE

See Dimensions table below

4 ATTACHMENT OPTION

- A** No attachment
- C** Chain
- N** Chain with ring
- R** Rope

5 LENGTH (OMIT FOR STANDARD)

- L** 5.000 (127.0)



Photo for example only

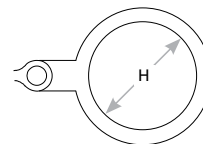
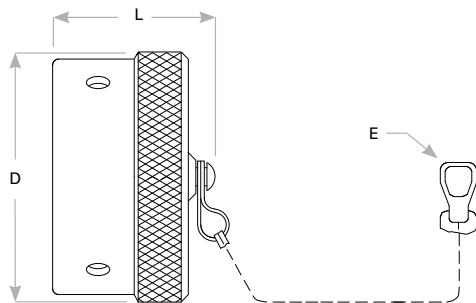
Ry27511 Compatibility

Compatible Connector Series
MIL-DTL-38999, Series II

Protective Cover Dimensions

Shell Size	E	L	D	H
8	.167 (4.2)	.781 (19.8)	.630 (16.0)	.890 (22.6)
10	.167 (4.2)	.781 (19.8)	.761 (19.3)	1.010 (25.7)
12	.167 (4.2)	.781 (19.8)	.936 (23.8)	1.140 (29.0)
14	.167 (4.2)	.781 (19.8)	1.074 (27.3)	1.260 (32.2)
16	.167 (4.2)	.781 (19.8)	1.172 (29.8)	1.390 (35.3)
18	.167 (4.2)	.781 (19.8)	1.304 (33.1)	1.510 (38.4)
20	.167 (4.2)	.781 (19.8)	1.435 (36.4)	1.640 (41.7)
22	.167 (4.2)	.781 (19.8)	1.560 (39.6)	1.760 (44.7)
24	.167 (4.2)	.781 (19.8)	1.688 (42.9)	1.890 (48.0)

Dimensions are in inches (mm).

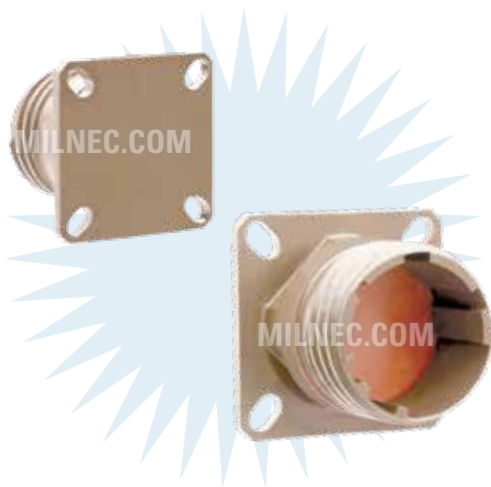


Jam Nut Ring Attachment

Rev. 1825

D38999/22 Type Protective Plug Cover

RY85049 Series • M85049 Type Backshells



RY38999/22 D J

- 1 **BASIC PART NUMBER**
RY38999/22
MS27510 type
Protective plug cover
- 2 **SHELL SIZE CODE**
See Dimensions table below
- 3 **MATERIAL & FINISH**
 - C Aluminum, anodize
 - F Aluminum, electroless nickel
 - H Stainless steel, passivated (space-grade)
 - J Composite, olive drab cadmium
 - K Corrosion-resistant steel passivate
 - J Composite, electroless nickel
 - N Stainless steel, electrodeposited nickel
 - Y Stainless steel, passivated

RY27510 Compatibility

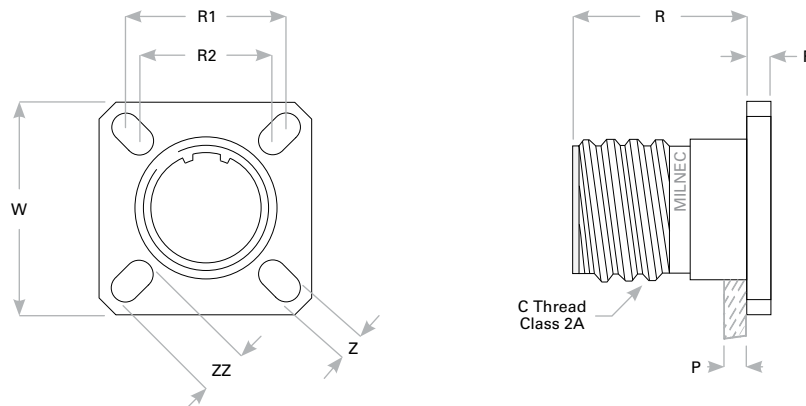
Compatible Connector Series

MIL-DTL-38999, Series III

Stowage Receptacle Dimensions

Shell Size Code	Shell Size	W	ZZ	Z	C Thread Class 2A	R	F	P Max Rear Panel†	R1	R2
A *	9	.938 (23.8)	.216 (5.5)	.128 (3.3)	.6250-0.1P-0.3L-TS	.822 (20.9)	.098 (2.5)	.234 (5.9)	.719 (18.3)	.594 (15.1)
AA †	9	.938 (23.8)	.216 (5.5)	.128 (3.3)	.6250-0.1P-0.3L-TS	.822 (20.9)	.098 (2.5)	.234 (5.9)	.719 (18.3)	.594 (15.1)
B	11	1.031 (26.2)	.194 (4.9)	.128 (3.3)	.7500-0.1P-0.3L-TS	.822 (20.9)	.098 (2.5)	.234 (5.9)	.812 (20.6)	.719 (18.3)
C	13	1.125 (28.6)	.194 (4.9)	.128 (3.3)	.8750-0.1P-0.3L-TS	.822 (20.9)	.098 (2.5)	.234 (5.9)	.906 (23.0)	.812 (20.6)
D	15	1.219 (31.0)	.173 (4.4)	.128 (3.3)	1.0000-0.1P-0.3L-TS	.822 (20.9)	.098 (2.5)	.234 (5.9)	.969 (24.6)	.906 (23.0)
E	17	1.312 (33.3)	.194 (4.9)	.128 (3.3)	1.1875-0.1P-0.3L-TS	.822 (20.9)	.098 (2.5)	.234 (5.9)	1.062 (27.0)	.969 (24.6)
F	19	1.438 (36.5)	.194 (4.9)	.128 (3.3)	1.2500-0.1P-0.3L-TS	.822 (20.9)	.098 (2.5)	.234 (5.9)	1.156 (29.4)	1.062 (27.0)
G	21	1.562 (39.7)	.194 (4.9)	.128 (3.3)	1.3750-0.1P-0.3L-TS	.791 (20.1)	.125 (3.2)	.234 (5.9)	1.250 (31.8)	1.156 (29.4)
H	23	1.688 (42.9)	.242 (6.1)	.154 (3.9)	1.5000-0.1P-0.3L-TS	.791 (20.1)	.125 (3.2)	.234 (5.9)	1.375 (34.9)	1.250 (31.8)
J	25	1.812 (46.0)	.242 (6.1)	.154 (3.9)	1.6250-0.1P-0.3L-TS	.791 (20.1)	.125 (3.2)	.234 (5.9)	1.500 (38.1)	1.375 (34.9)

Dimensions are in inches (mm). * Shell size code A is for polarization C, E, and N only. † Shell size code AA is for polarization A, B, and D only.



Rev. 1825

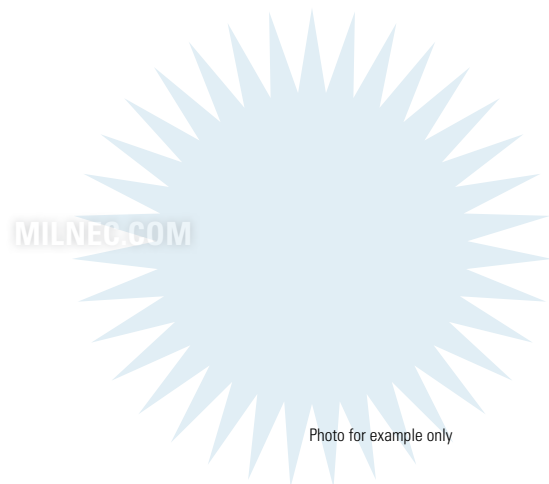
D38999/28 Type Jam Nut

Ry85049 Series • M85049 Type Backshells

RY38999/28 - 11 W



- 1 BASIC PART NUMBER**
RY38999/28
D38999/28 type
Jam nut
- 2 DASH NO.**
See Dimensions table below
- 3 MATERIAL & FINISH**
 - C** Aluminum, anodize
 - F** Aluminum, electroless nickel
 - K** Corrosion-resistant steel passivate
 - W** Aluminum, olive drab cadmium



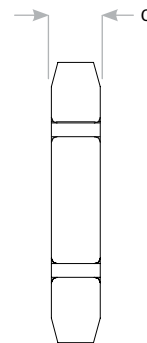
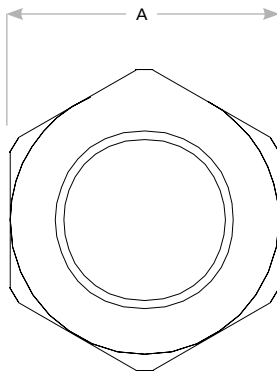
RY38999/28 Compatibility

Compatible Connector Series
MIL-DTL-38999, Series III

Protective Cover Dimensions

Dash No.	Shell Size		B Thread Class 2B	A Max	C
	Series III	Series IV			
1	9	—	M17 X 1 - 6H	.945 (24.0)	.125 (3.2)
2	11	—	M20 X 1 - 6H	1.063 (27.0)	.125 (3.2)
3	13	11	M25 X 1 - 6H	1.260 (32.0)	.125 (3.2)
4	15	13	M28 X 1 - 6H	1.417 (36.0)	.125 (3.2)
5	—	15	M31 X 1 - 6H	1.614 (41.0)	.125 (3.2)
6	17	—	M32 X 1 - 6H	1.457 (37.0)	.125 (3.2)
7	—	17	M34 X 1 - 6H	1.614 (41.0)	.125 (3.2)
8	19	—	M35 X 1 - 6H	1.614 (41.0)	.125 (3.2)
9	21	19	M38 X 1 - 6H	1.811 (46.0)	.125 (3.2)
10	23	21	M41 X 1 - 6H	1.969 (50.0)	.125 (3.2)
11	25	23	M44 X 1 - 6H	2.017 (51.2)	.125 (3.2)
12	—	25	M47 X 1 - 6H	2.165 (55.0)	.125 (3.2)

Dimensions are in inches (mm).



Rev. 1825

D38999/32 Type Protective Plug Cover

RY85049 Series • M85049 Type Backshells



RY38999/32 Compatibility

Compatible Connector Series

MIL-DTL-38999, Series III

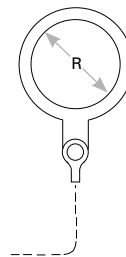
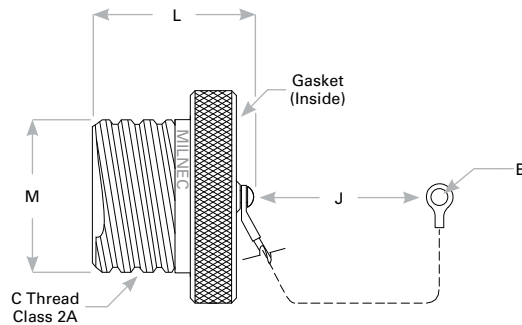
RY38999/32 F 15 R

- 1 **BASIC PART NUMBER**
RY38999/32
D38999/32 type
Protective plug cover
- 2 **MATERIAL & FINISH**
C Aluminum, anodize
F Aluminum, electroless nickel
H Stainless steel, passivated (space-grade)
J Composite, olive drab cadmium
K Corrosion-resistant steel passivate
J Composite, olive drab cadmium
M Composite, electroless nickel
N Stainless steel, electrodeposited nickel
T Aluminum, nickel fluorocarbon polymer
W Aluminum, olive drab cadmium
Z Aluminum, black zinc nickel
- 3 **SHELL SIZE**
See Dimensions table below
- 4 **ATTACHMENT OPTION**
R Rope with eyelet
N Rope with ring

Protective Cover Dimensions

Shell Size	Military Shell Size	C Thread Class 2A	L ¹	M	R Min	E	J Chain Length
9	A	.6250-0.1P-0.3L-TS	1.180 (30.0)	.906 (23.0)	.512 (13.0)	.167 (4.2)	5.000 (127.0)
11	B	.7500-0.1P-0.3L-TS	1.180 (30.0)	1.024 (26.0)	.709 (18.0)	.167 (4.2)	5.000 (127.0)
13	C	.8750-0.1P-0.3L-TS	1.180 (30.0)	1.220 (31.0)	.787 (20.0)	.167 (4.2)	5.000 (127.0)
15	D	1.0000-0.1P-0.3L-TS	1.180 (30.0)	1.300 (33.0)	.906 (23.0)	.167 (4.2)	5.000 (127.0)
17	E	1.1875-0.1P-0.3L-TS	1.180 (30.0)	1.457 (37.0)	1.024 (26.0)	.167 (4.2)	5.000 (127.0)
19	F	1.2500-0.1P-0.3L-TS	1.180 (30.0)	1.575 (40.0)	1.142 (29.0)	.167 (4.2)	5.000 (127.0)
21	G	1.3750-0.1P-0.3L-TS	1.180 (30.0)	1.732 (44.0)	1.260 (32.0)	.167 (4.2)	5.000 (127.0)
23	H	1.5000-0.1P-0.3L-TS	1.180 (30.0)	1.811 (46.0)	1.339 (34.0)	.167 (4.2)	5.000 (127.0)
25	J	1.6250-0.1P-0.3L-TS	1.180 (30.0)	1.969 (50.0)	1.535 (39.0)	.167 (4.2)	5.000 (127.0)

Dimensions are in inches (mm).



Jam Nut Ring Attachment

Rev. 1825

D38999/32 Type Protective Receptacle Cover

RY85049 Series • M85049 Type Backshells

RY38999/32 F 15 R

- 1 **BASIC PART NUMBER**
RY38999/32
D38999/32 type
Protective plug cover
- 2 **MATERIAL & FINISH**
 - C Aluminum, anodize
 - F Aluminum, electroless nickel
 - H Stainless steel, passivated (space-grade)
 - J Composite, olive drab cadmium
 - K Corrosion-resistant steel passivate
 - J Composite, olive drab cadmium
 - M Composite, electroless nickel
 - N Stainless steel, electrodeposited nickel
 - T Aluminum, nickel fluorocarbon polymer
 - W Aluminum, olive drab cadmium
 - Z Aluminum, black zinc nickel
- 3 **SHELL SIZE**
See Dimensions table below
- 4 **ATTACHMENT OPTION**
 - R Rope with eyelet
 - N Rope with ring



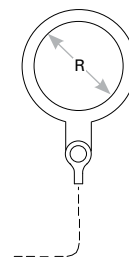
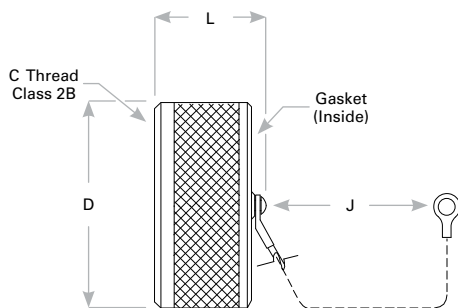
RY38999/32 Compatibility

Compatible Connector Series
MIL-DTL-38999, Series III

Protective Cover Dimensions

Shell Size	Military Shell Size	C Thread Class 2B	L	D	R	J Chain Length
9	A	.6250-0.1P-0.3L-TS	.906 (23.0)	.906 (23.0)	.694 (17.6)	5.000 (127.0)
11	B	.7500-0.1P-0.3L-TS	.906 (23.0)	1.102 (28.0)	.865 (22.0)	5.000 (127.0)
13	C	.8750-0.1P-0.3L-TS	.906 (23.0)	1.220 (31.0)	.989 (25.1)	5.000 (127.0)
15	D	1.0000-0.1P-0.3L-TS	.906 (23.0)	1.260 (32.0)	1.178 (29.9)	5.000 (127.0)
17	E	1.1875-0.1P-0.3L-TS	.906 (23.0)	1.457 (37.0)	1.260 (32.0)	5.000 (127.0)
19	F	1.2500-0.1P-0.3L-TS	.906 (23.0)	1.535 (39.0)	1.428 (36.3)	5.000 (127.0)
21	G	1.3750-0.1P-0.3L-TS	.906 (23.0)	1.654 (42.0)	1.506 (38.3)	5.000 (127.0)
23	H	1.5000-0.1P-0.3L-TS	.906 (23.0)	1.772 (45.0)	1.678 (42.6)	5.000 (127.0)
25	J	1.6250-0.1P-0.3L-TS	.906 (23.0)	1.929 (49.0)	1.750 (44.5)	5.000 (127.0)

Dimensions are in inches (mm).

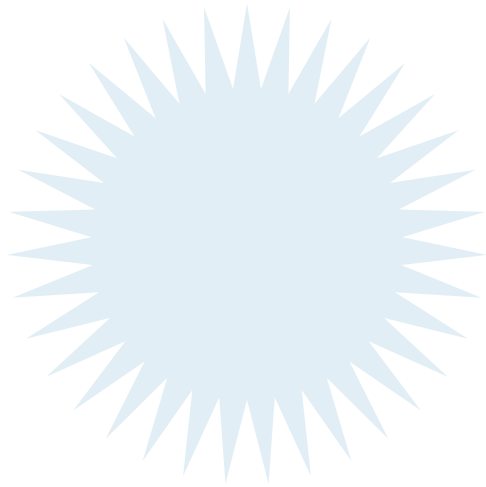


Jam Nut Ring Attachment

Rev. 1825

D38999/32 Type Protective Plug Cover

RY85049 Series • M85049 Type Backshells



RY38999/50 15 W

- 1 **BASIC PART NUMBER**
RY38999/50
D38999/50 type
Dummy stowage receptacle
- 2 **SHELL SIZE CODE**
See Dimensions table below
- 3 **MATERIAL & FINISH**
W Aluminum, olive drab cadmium

RY38999/50 Compatibility

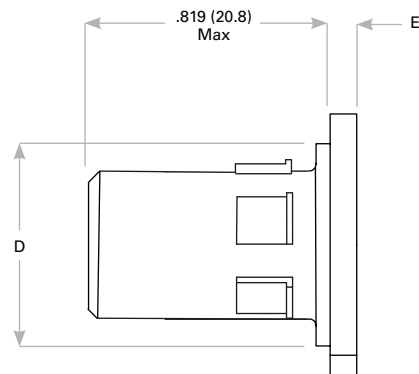
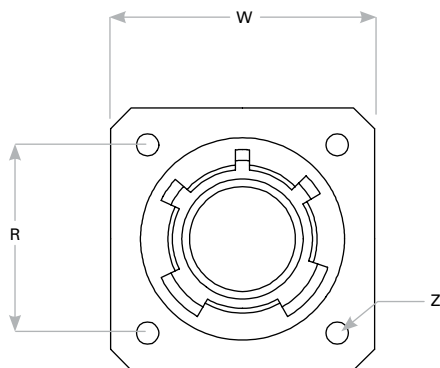
Compatible Connector Series

MIL-DTL-38999, Series IV

Protective Cover Dimensions

Shell Size Code	Shell Size	W	R	D	E	Z
B	11	1.030 (26.2)	.812 (20.6)	.793 (20.2)	.093 (2.4)	.130 (3.3)
C	13	1.124 (28.6)	.906 (23.0)	.919 (23.4)	.093 (2.4)	.130 (3.3)
D	15	1.219 (31.0)	.969 (24.6)	1.044 (26.5)	.093 (2.4)	.130 (3.3)
E	17	1.313 (33.4)	1.062 (27.0)	1.170 (29.7)	.093 (2.4)	.130 (3.3)
F	19	1.439 (36.6)	1.156 (29.4)	1.294 (32.9)	.093 (2.4)	.130 (3.3)
G	21	1.561 (39.7)	1.250 (31.8)	1.419 (36.1)	.124 (3.2)	.130 (3.3)
H	23	1.687 (42.9)	1.375 (34.9)	1.544 (39.2)	.124 (3.2)	.150 (3.8)
J	25	1.813 (46.1)	1.500 (38.1)	1.669 (42.4)	.124 (3.2)	.150 (3.8)

Dimensions are in inches (mm).



Rev. 1825

M28840/1 Type Strain Relief Backshell

R Y85049 Series • M85049 Type Backshells

R Y28840/1 C W

- 1 **BASIC PART NUMBER**
R Y28840/1
M28840/1 type
Strain relief backshell
- 2 **DESIGNATOR**
See Backshell Dimensions table below
- 3 **MATERIAL & FINISH**
W Aluminum, olive drab cadmium
D Corrosion resistant steel, black cadmium plate



R Y28840/1 Compatibility

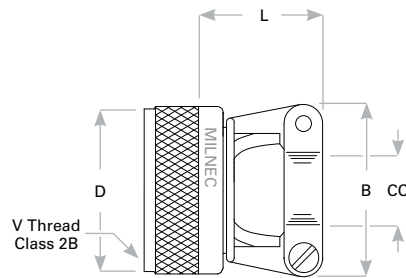
Compatible Connector Series

MIL-DTL-28840

Backshell Dimensions

Designator	Shell Size	V Thread Class 2B	L Max	D Max	B Max	CC Cable Clearance	
						Min	Max
A	11	0.750 - 20 UNEF	1.091 (27.7)	1.028 (26.1)	0.903 (22.9)	0.177 (4.5)	0.286 (7.3)
B	13	0.875 - 20 UNEF	1.091 (27.7)	1.141 (29.0)	0.977 (24.8)	0.177 (4.5)	0.286 (7.3)
C	15	1.000 - 20 UNEF	1.091 (27.7)	1.263 (32.1)	1.151 (29.2)	0.250 (6.4)	0.416 (10.6)
D	17	1.125 - 18 UNEF	1.206 (30.6)	1.387 (35.2)	1.281 (32.5)	0.291 (7.4)	0.476 (12.1)
E	19	1.250 - 18 UNEF	1.320 (33.5)	1.513 (38.4)	1.406 (35.7)	0.348 (8.8)	0.626 (15.9)
F	23	1.438 - 18 UNEF	1.445 (36.7)	1.703 (43.3)	1.576 (40.0)	0.429 (10.9)	0.831 (21.1)
G	25	1.562 - 18 UNEF	1.570 (39.9)	1.825 (46.4)	1.666 (42.3)	0.523 (13.3)	0.956 (24.3)
H	29	1.875 - 16 UN	1.721 (43.7)	2.143 (54.4)	2.046 (52.0)	0.643 (16.3)	1.081 (27.5)
J	33	2.062 - 16 UNS	1.908 (48.5)	2.329 (59.2)	2.209 (56.1)	0.704 (17.9)	1.187 (30.1)

Dimensions are in inches (mm).



Rev. 1825

M28840/2 Type 90° Strain Relief Backshell

Ry85049 Series • M85049 Type Backshells



Photo for example only

RY28840/2 C W

- 1 **BASIC PART NUMBER**
RY28840/2
M28840/2 type
90° strain relief backshell
- 2 **DESIGNATOR**
See Dimensions table below
- 3 **MATERIAL & FINISH**
W Aluminum, olive drab cadmium
D Corrosion resistant steel, black cadmium plate

RY28840/2 Compatibility

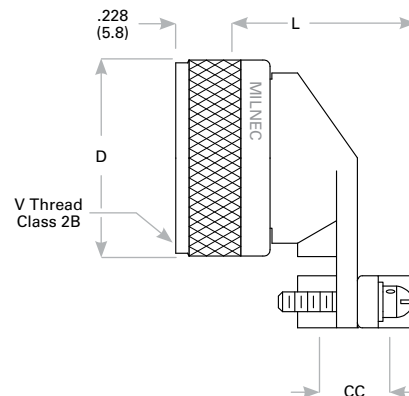
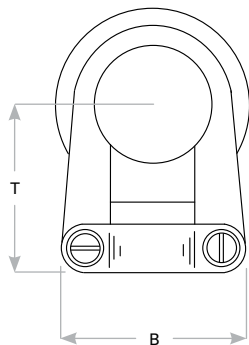
Compatible Connector Series

MIL-DTL-28840

Backshell Dimensions

Designator	Shell Size	V Thread Class 2B	L Max	D Max	B Max	T Max	CC Cable Clearance	
							Min	Max
A	11	0.750 - 20 UNEF	1.071 (27.2)	1.028 (26.1)	0.903 (22.9)	0.929 (23.6)	0.177 (4.5)	0.286 (7.3)
B	13	0.875 - 20 UNEF	1.071 (27.2)	1.141 (29.0)	0.977 (24.8)	0.929 (23.6)	0.177 (4.5)	0.286 (7.3)
C	15	1.000 - 20 UNEF	1.280 (32.5)	1.263 (32.1)	1.151 (29.2)	1.056 (26.8)	0.250 (6.4)	0.416 (10.6)
D	17	1.125 - 18 UNEF	1.392 (35.4)	1.387 (35.2)	1.281 (32.5)	1.233 (31.3)	0.291 (7.4)	0.476 (12.1)
E	19	1.250 - 18 UNEF	1.517 (38.5)	1.513 (38.4)	1.406 (35.7)	1.296 (32.9)	0.348 (8.8)	0.626 (15.9)
F	23	1.438 - 18 UNEF	1.642 (41.7)	1.703 (43.3)	1.576 (40.0)	1.358 (34.5)	0.429 (10.9)	0.831 (21.1)
G	25	1.562 - 18 UNEF	1.767 (44.9)	1.825 (46.4)	1.666 (42.3)	1.420 (36.1)	0.523 (13.3)	0.956 (24.3)
H	29	1.875 - 16 UN	1.905 (48.4)	2.143 (54.4)	2.046 (52.0)	1.634 (41.5)	0.643 (16.3)	1.081 (27.5)
J	33	2.062 - 16 UNS	1.968 (50.0)	2.329 (59.2)	2.209 (56.1)	1.859 (47.2)	0.704 (17.9)	1.187 (30.1)

Dimensions are in inches (mm).



Rev. 1825

M28840/3 Type 45° Strain Relief Backshell

Ry85049 Series • M85049 Type Backshells

RY28840/3 C W

- 1 **BASIC PART NUMBER**
RY28840/3
M28840/3 type
45° strain relief backshell
- 2 **DESIGNATOR**
See Dimensions table below
- 3 **MATERIAL & FINISH**
W Aluminum, olive drab cadmium
D Corrosion resistant steel, black cadmium plate



Photo for example only

RY28840/3 Compatibility

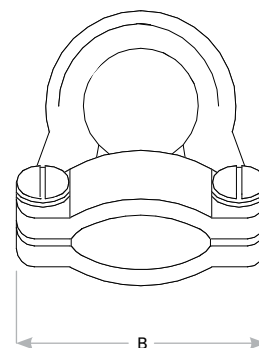
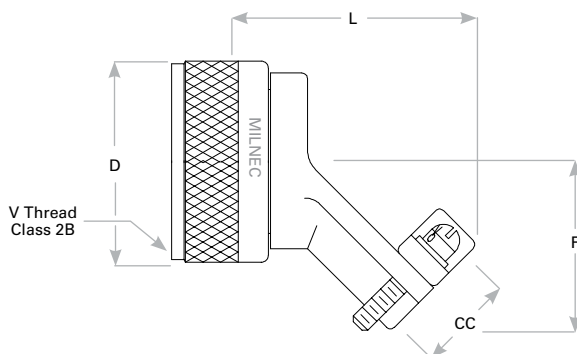
Compatible Connector Series

MIL-DTL-28840

Backshell Dimensions

Designator	Shell Size	V Thread Class 2B	L Max	D Max	F Max	B Max	CC Cable Clearance	
							Min	Max
A	11	0.750 - 20 UNEF	1.650 (41.9)	1.028 (26.1)	0.929 (23.6)	0.903 (22.9)	0.177 (4.5)	0.286 (7.3)
B	13	0.875 - 20 UNEF	1.650 (41.9)	1.141 (29.0)	0.929 (23.6)	0.977 (24.8)	0.177 (4.5)	0.286 (7.3)
C	15	1.000 - 20 UNEF	1.765 (44.8)	1.263 (32.1)	1.056 (26.8)	1.151 (29.2)	0.250 (6.4)	0.416 (10.6)
D	17	1.125 - 18 UNEF	1.874 (47.6)	1.387 (35.2)	1.233 (31.3)	1.281 (32.5)	0.291 (7.4)	0.476 (12.1)
E	19	1.250 - 18 UNEF	1.918 (48.7)	1.513 (38.4)	1.296 (32.9)	1.406 (35.7)	0.348 (8.8)	0.626 (15.9)
F	23	1.438 - 18 UNEF	1.962 (49.8)	1.703 (43.3)	1.358 (34.5)	1.576 (40.0)	0.429 (10.9)	0.831 (21.1)
G	25	1.562 - 18 UNEF	2.006 (51.0)	1.825 (46.4)	1.420 (36.1)	1.666 (42.3)	0.523 (13.3)	0.956 (24.3)
H	29	1.875 - 16 UN	2.301 (58.4)	2.143 (54.4)	1.634 (41.5)	2.046 (52.0)	0.643 (16.3)	1.081 (27.5)
J	33	2.062 - 16 UNS	2.389 (60.7)	2.329 (59.2)	1.859 (47.2)	2.209 (56.1)	0.704 (17.9)	1.187 (30.1)

Dimensions are in inches (mm).



Rev. 1825

M28840/4 Type Metal Core Conduit

Ry85049 Series • M85049 Type Backshells



Ry28840/4 10 A E

- 1 **BASIC PART NUMBER**
Ry28840/4
 M28840/4 type
 Metal core conduit
- 2 **CONDUIT SIZE**
 See Conduit Dimensions table below
- 3 **TYPE DESIGNATOR**
A Plain
B Insulator jacket
- 4 **MATERIAL**
C Brass
E Nickel-iron conduit

Ry28840/4 Compatibility

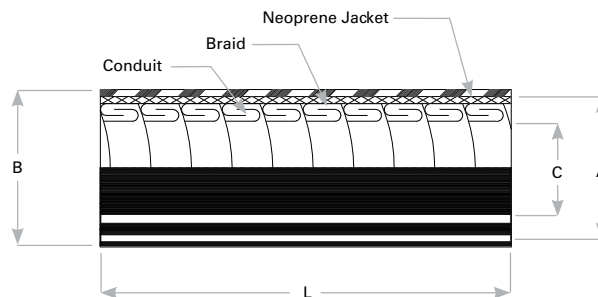
Compatible Connector Series

MIL-DTL-28840

Conduit Dimensions

Conduit Size	C Internal Diameter	A Diameter Over Shield	B Diameter Over Jacket	L
03	.375 (9.5)	.525 (13.3)	.688 (17.5)	Length in Feet (50 Feet Max)
04	.500 (12.7)	.650 (16.5)	.812 (206)	
05	.625 (15.9)	.765 (19.4)	.937 (23.8)	
06	.750 (19.1)	.925 (23.5)	1.078 (27.4)	
08	1.000 (25.4)	1.210 (30.7)	1.437 (36.5)	
10	1.250 (31.8)	1.455 (37.0)	1.695 (43.1)	
12	1.500 (38.1)	1.725 (43.8)	1.956 (49.7)	
16	2.000 (50.8)	2.200 (55.9)	2.469 (62.7)	

Dimensions are in inches (mm).



Rev. 1825

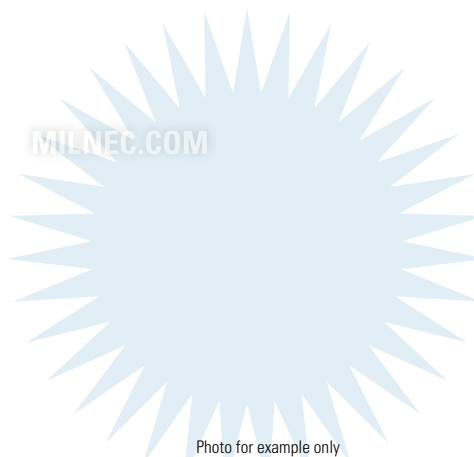
M28840/5 Type Metal Core Conduit Backshell

Ry85049 Series • M85049 Type Backshells

Ry28840/5 10 W A

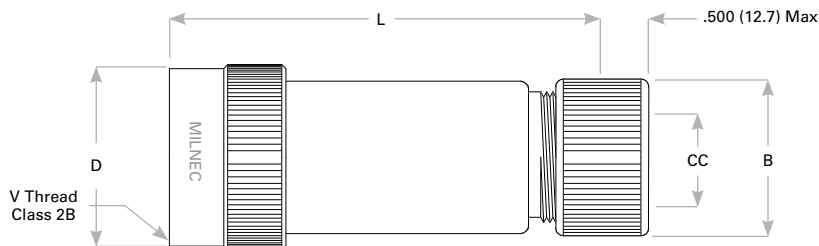


- 1 BASIC PART NUMBER**
RY28840/5
 M28840/5 type
 Metal core conduit backshell
- 2 DASH NO.**
 See Dimensions table below
- 3 MATERIAL**
W Aluminum, olive drab cadmium
D Corrosion-resistant steel, black cadmium
- 4 TYPE DESIGNATOR**
A EMI/non-environmental (plain conduit)
B EMI/environmental (jacketed conduit)

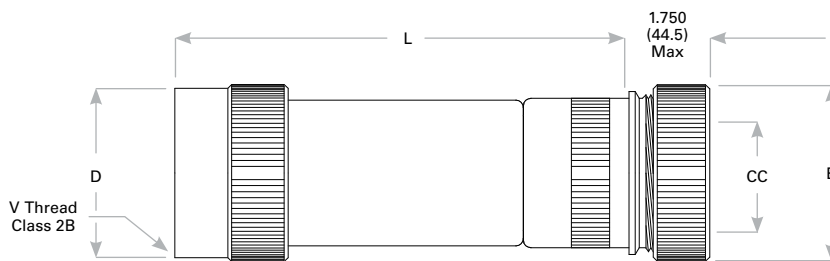


Ry28840/5 Compatibility

Compatible Connector Series
MIL-DTL-28840



Type A: EMI/Non-Environmental (Plain Conduit)



Type B: EMI/Environmental (Jacketed Conduit)

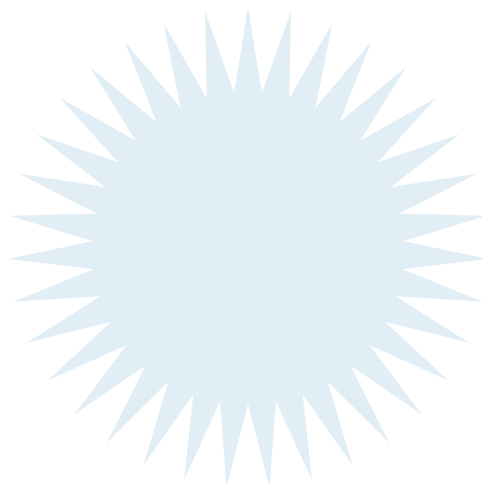
M28840/5 Type Metal Core Conduit Backshell

Ry85049 Series • M85049 Type Backshells

Backshell Dimensions (Continued from previous page)

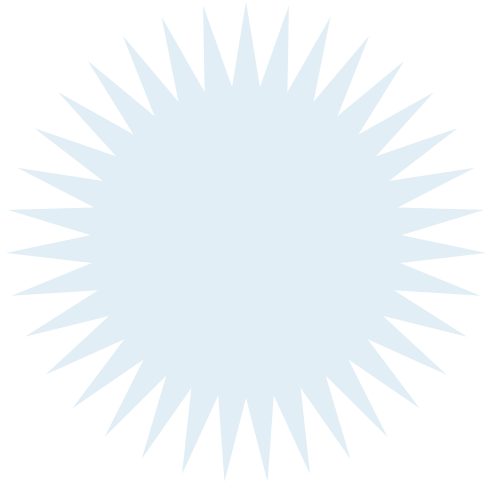
Dash No.	Shell Size	Military Shell Size	V Thread Class 2B	D	B	L	CC Sealing Range	
							Min	Max
001	11	A	.750-20 UNEF	1.028 (26.11)	1.120 (28.5)	1.750 (44.5)	.500 (12.7)	.630 (16.0)
002	11	A	.750-20 UNEF	1.028 (26.11)	1.250 (31.8)	1.750 (44.5)	.630 (16.0)	.750 (19.1)
003	13	B	.875-20 UNEF	1.141 (28.98)	1.120 (28.5)	1.750 (44.5)	.500 (12.7)	.630 (16.0)
004	13	B	.875-20 UNEF	1.141 (28.98)	1.250 (31.8)	1.750 (44.5)	.630 (16.0)	.750 (19.1)
005	15	C	1.000-20 UNEF	1.263 (32.08)	1.120 (28.5)	1.750 (44.5)	.500 (12.7)	.630 (16.0)
006	15	C	1.000-20 UNEF	1.263 (32.08)	1.250 (31.8)	1.750 (44.5)	.630 (16.0)	.750 (19.1)
007	15	C	1.000-20 UNEF	1.263 (32.08)	1.430 (36.3)	1.750 (44.5)	.750 (19.1)	.880 (22.4)
008	15	C	1.000-20 UNEF	1.263 (32.08)	1.620 (41.2)	3.000 (76.2)	.880 (22.4)	1.000 (25.4)
009	17	D	1.125-18 UNEF	1.387 (35.23)	1.430 (36.3)	2.250 (57.2)	.750 (19.1)	.880 (22.4)
010	17	D	1.125-18 UNEF	1.387 (35.23)	1.620 (41.2)	2.250 (57.2)	.880 (22.4)	1.000 (25.4)
011	17	D	1.125-18 UNEF	1.387 (35.23)	1.810 (46.0)	2.250 (57.2)	1.190 (30.2)	1.380 (35.1)
012	19	E	1.250-18 UNEF	1.513 (38.43)	1.430 (36.3)	2.250 (57.2)	.750 (19.1)	.880 (22.4)
013	19	E	1.250-18 UNEF	1.513 (38.43)	1.620 (41.2)	2.250 (57.2)	.880 (22.4)	1.000 (25.4)
014	19	E	1.250-18 UNEF	1.513 (38.43)	1.810 (46.0)	2.250 (57.2)	1.190 (30.2)	1.380 (35.1)
015	23	F	1.438-18 UNEF	1.703 (45.5)	1.620 (41.2)	2.750 (69.9)	.880 (22.4)	1.000 (25.4)
016	23	F	1.438-18 UNEF	1.703 (45.5)	1.810 (46.0)	2.750 (69.9)	1.190 (30.2)	1.380 (35.1)
017	23	F	1.438-18 UNEF	1.703 (45.5)	2.180 (55.4)	3.500 (88.9)	1.440 (36.6)	1.630 (41.4)
018	25	G	1.562-18 UNEF	1.825 (46.4)	1.620 (41.2)	2.750 (69.9)	.880 (22.4)	1.000 (25.4)
019	25	G	1.562-18 UNEF	1.825 (46.4)	1.810 (46.0)	2.750 (69.9)	1.190 (30.2)	1.380 (35.1)
020	25	G	1.562-18 UNEF	1.825 (46.4)	2.180 (55.4)	2.750 (69.9)	1.440 (36.6)	1.630 (41.4)
021	25	G	1.562-18 UNEF	1.825 (46.4)	2.560 (65.0)	4.000 (101.6)	1.630 (41.4)	1.880 (47.8)
022	29	H	1.875-16 UNS	2.143 (54.4)	2.180 (55.4)	3.250 (82.6)	1.440 (36.6)	1.630 (41.4)
023	29	H	1.875-16 UNS	2.143 (54.4)	2.560 (65.0)	3.250 (82.6)	1.630 (41.4)	1.880 (47.8)
024	33	J	2.062-16 UNS	2.329 (59.2)	2.560 (65.0)	3.250 (82.6)	1.630 (41.4)	1.880 (47.8)
025	33	J	2.062-16 UNS	2.329 (59.2)	3.060 (77.8)	3.250 (82.6)	2.130 (54.1)	2.380 (60.5)

Dimensions are in inches (mm).



M28840/6 Style A Type EMI/Env. Backshell

Ry85049 Series • M85049 Type Backshells



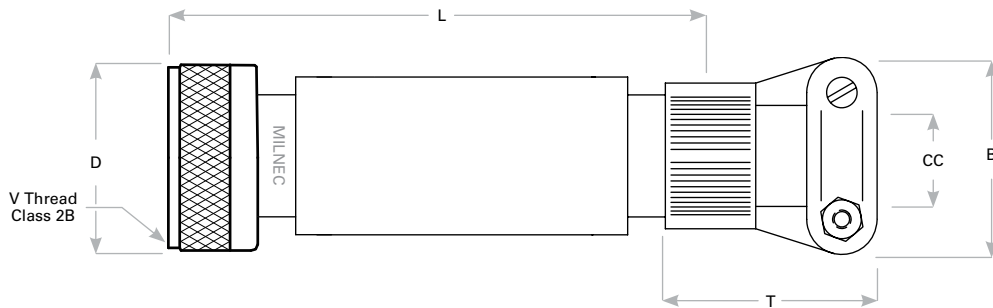
Ry28840/6 10 W A

- 1 **BASIC PART NUMBER**
Ry28840/6
 M28840/6 type
 EMI/environmental backshell
- 2 **DASH NO.**
 See Dimensions table below
- 3 **MATERIAL & FINISH**
W Aluminum, olive drab cadmium
D Corrosion-resistant steel, black cadmium
- 4 **STYLE**
A EMI/environmental

Ry28840/6 Compatibility

Compatible Connector Series

MIL-DTL-28840



Backshell Dimensions

Dash No.	Shell Size	V Thread Class 2B	D Max	L	T	B	CC Sealing Range	
							Min	Max
1	11	0.750 - 20 UNEF	1.028 (26.1)	3.620 (91.9)	1.281 (32.5)	0.938 (23.8)	0.188 (4.8)	0.312 (7.9)
2	13	0.875 - 20 UNEF	1.141 (29.0)	3.620 (91.9)	1.281 (32.5)	0.938 (23.8)	0.188 (4.8)	0.312 (7.9)
3	13	0.875 - 20 UNEF	1.141 (29.0)	3.620 (91.9)	1.281 (32.5)	1.125 (28.6)	0.281 (7.1)	0.438 (11.1)
4	15	1.000 - 20 UNEF	1.263 (32.1)	3.620 (91.9)	1.281 (32.5)	0.938 (23.8)	0.188 (4.8)	0.312 (7.9)
5	15	1.000 - 20 UNEF	1.263 (32.1)	3.620 (91.9)	1.281 (32.5)	1.125 (28.6)	0.281 (7.1)	0.438 (11.1)
6	15	1.000 - 20 UNEF	1.263 (32.1)	3.620 (91.9)	1.281 (32.5)	1.312 (33.3)	0.344 (8.7)	0.562 (14.3)
7	15	1.000 - 20 UNEF	1.263 (32.1)	4.120 (104.6)	1.312 (33.3)	1.593 (40.5)	0.438 (11.1)	0.750 (19.1)
8	17	1.125 - 18 UNEF	1.387 (35.2)	4.120 (104.6)	1.281 (32.5)	1.312 (33.3)	0.375 (9.5)	0.625 (15.9)
9	17	1.125 - 18 UNEF	1.387 (35.2)	4.120 (104.6)	1.312 (33.3)	1.593 (40.5)	0.438 (11.1)	0.750 (19.1)
10	17	1.125 - 18 UNEF	1.387 (35.2)	4.120 (104.6)	1.406 (35.7)	1.750 (44.5)	0.625 (15.9)	0.938 (23.8)

(Continued on next page)

Rev. 1825

M28840/6 Style A Type EMI/Env. Backshell

Ry85049 Series • M85049 Type Backshells

Backshell Dimensions (Continued from previous page)

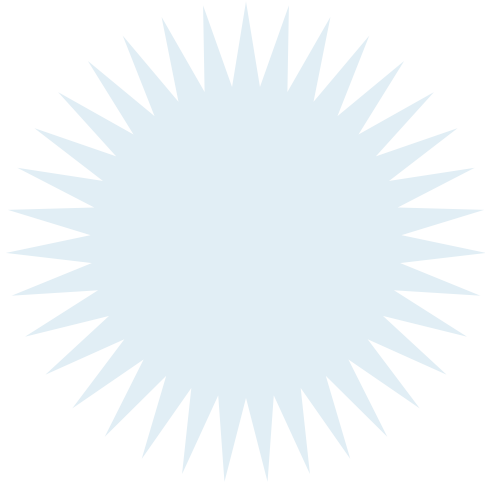
Dash No.	Shell Size	V Thread Class 2B	D Max	L	T	B	CC Sealing Range	
							Min	Max
11	19	1.250 - 18 UNEF	1.513 (38.4)	4.120 (104.6)	1.281 (32.5)	1.312 (33.3)	0.375 (9.5)	0.625 (15.9)
12	19	1.250 - 18 UNEF	1.513 (38.4)	4.120 (104.6)	1.406 (35.7)	1.750 (44.5)	0.625 (15.9)	0.938 (23.8)
13	23	1.438 - 18 UNEF	1.703 (43.3)	4.620 (117.3)	1.312 (33.3)	1.593 (40.5)	0.438 (11.1)	0.750 (19.1)
14	23	1.438 - 18 UNEF	1.703 (43.3)	4.620 (117.3)	1.406 (35.7)	1.750 (44.5)	0.625 (15.9)	0.938 (23.8)
15	23	1.438 - 18 UNEF	1.703 (43.3)	4.620 (117.3)	1.593 (40.5)	2.093 (53.2)	0.812 (20.6)	1.188 (30.2)
16	25	1.563 - 18 UNEF	1.825 (46.4)	4.620 (117.3)	1.406 (35.7)	1.750 (44.5)	0.625 (15.9)	0.938 (23.8)
17	25	1.563 - 18 UNEF	1.825 (46.4)	5.120 (130.0)	1.593 (40.5)	2.093 (53.2)	0.812 (20.6)	1.188 (30.2)
18	25	1.563 - 18 UNEF	1.825 (46.4)	5.120 (130.0)	1.593 (40.5)	2.093 (53.2)	0.875 (22.2)	1.250 (31.8)
19	25	1.563 - 18 UNEF	1.825 (46.4)	5.120 (130.0)	1.625 (41.3)	2.343 (59.5)	1.000 (25.4)	1.380 (35.1)
20	29	1.875 - 16 UN	2.143 (54.4)	5.120 (130.0)	1.593 (40.5)	2.093 (53.2)	0.812 (20.6)	1.188 (30.2)
21	29	1.875 - 16 UN	2.143 (54.4)	5.120 (130.0)	1.625 (41.3)	2.343 (59.5)	1.000 (25.4)	1.380 (35.1)
22	33	2.063 - 16 UNS	2.329 (59.2)	5.120 (130.0)	1.625 (41.3)	2.343 (59.5)	1.000 (25.4)	1.380 (35.1)
23	33	2.063 - 16 UNS	2.329 (59.2)	5.120 (130.0)	1.900 (48.3)	2.750 (69.9)	1.250 (31.8)	1.625 (41.3)
24	11	0.750 - 20 UNEF	1.028 (26.1)	3.620 (91.9)	1.281 (32.5)	1.125 (28.6)	0.281 (7.1)	0.438 (11.1)
25	11	0.750 - 20 UNEF	1.028 (26.1)	3.620 (91.9)	1.281 (32.5)	1.312 (33.3)	0.344 (8.7)	0.562 (14.3)
26	13	0.875 - 20 UNEF	1.141 (29.0)	3.620 (91.9)	1.281 (32.5)	1.312 (33.3)	0.344 (8.7)	0.562 (14.3)
27	13	0.875 - 20 UNEF	1.141 (29.0)	4.120 (104.6)	1.281 (32.5)	1.312 (33.3)	0.375 (9.5)	0.625 (15.9)
28	15	1.000 - 20 UNEF	1.263 (32.1)	4.120 (104.6)	1.281 (32.5)	1.312 (33.3)	0.375 (9.5)	0.625 (15.9)

Dimensions are in inches (mm).



M28840/6 Style B Type Environmental Backshell

RY85049 Series • M85049 Type Backshells



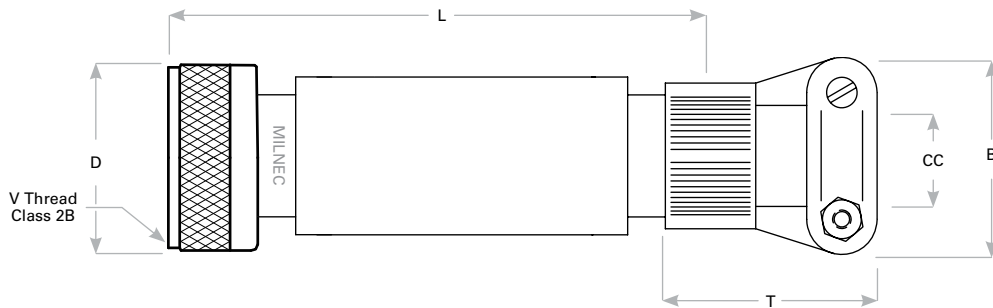
RY28840/6 10 W B

- 1 **BASIC PART NUMBER**
RY28840/6
M28840/6 type
Environmental backshell
- 2 **DASH NO.**
See Dimensions table below
- 3 **MATERIAL & FINISH**
W Aluminum, olive drab cadmium
D Corrosion-resistant steel, black cadmium
- 4 **STYLE**
B Environmental

RY28840/6 Compatibility

Compatible Connector Series

MIL-DTL-28840



Backshell Dimensions

Dash No.	Shell Size	V Thread Class 2B	C Dia Max	E	F Ref. Dim	G Ref. Dim	CC Sealing Range	
							Min	Max
1	11	0.750 - 20 UNEF	1.030 (26.2)	3.620 (91.9)	1.281 (32.5)	0.938 (23.8)	0.188 (4.8)	0.312 (7.9)
2	13	0.875 - 20 UNEF	1.140 (29.0)	3.620 (91.9)	1.281 (32.5)	0.938 (23.8)	0.188 (4.8)	0.312 (7.9)
3	13	0.875 - 20 UNEF	1.140 (29.0)	3.620 (91.9)	1.281 (32.5)	1.125 (28.6)	0.281 (7.1)	0.438 (11.1)
4	15	1.000 - 20 UNEF	1.260 (32.0)	3.620 (91.9)	1.281 (32.5)	0.938 (23.8)	0.188 (4.8)	0.312 (7.9)
5	15	1.000 - 20 UNEF	1.260 (32.0)	3.620 (91.9)	1.281 (32.5)	1.125 (28.6)	0.281 (7.1)	0.438 (11.1)
6	15	1.000 - 20 UNEF	1.260 (32.0)	3.620 (91.9)	1.281 (32.5)	1.312 (33.3)	0.344 (8.7)	0.562 (14.3)
7	15	1.000 - 20 UNEF	1.260 (32.0)	4.120 (104.6)	1.312 (33.3)	1.593 (40.5)	0.438 (11.1)	0.750 (19.1)
8	17	1.125 - 18 UNEF	1.390 (35.3)	4.120 (104.6)	1.281 (32.5)	1.312 (33.3)	0.375 (9.5)	0.625 (15.9)
9	17	1.125 - 18 UNEF	1.390 (35.3)	4.120 (104.6)	1.312 (33.3)	1.593 (40.5)	0.438 (11.1)	0.750 (19.1)
10	17	1.125 - 18 UNEF	1.390 (35.3)	4.120 (104.6)	1.406 (35.7)	1.750 (44.5)	0.625 (15.9)	0.938 (23.8)

(Continued on next page)

Rev. 1825

M28840/6 Style B Type Environmental Backshell

RY85049 Series • M85049 Type Backshells

Backshell Dimensions (Continued from previous page)

Dash No.	Shell Size	V Thread Class 2B	D Max	L	T	B	CC Sealing Range	
							Min	Max
11	19	1.250 - 18 UNEF	1.510 (38.4)	4.120 (104.6)	1.281 (32.5)	1.312 (33.3)	0.375 (9.5)	0.625 (15.9)
12	19	1.250 - 18 UNEF	1.510 (38.4)	4.120 (104.6)	1.406 (35.7)	1.750 (44.5)	0.625 (15.9)	0.938 (23.8)
13	23	1.438 - 18 UNEF	1.700 (43.2)	4.620 (117.3)	1.312 (33.3)	1.593 (40.5)	0.438 (11.1)	0.750 (19.1)
14	23	1.438 - 18 UNEF	1.700 (43.2)	4.620 (117.3)	1.406 (35.7)	1.750 (44.5)	0.625 (15.9)	0.938 (23.8)
15	23	1.438 - 18 UNEF	1.700 (43.2)	4.620 (117.3)	1.593 (40.5)	2.093 (53.2)	0.812 (20.6)	1.188 (30.2)
16	25	1.563 - 18 UNEF	1.820 (46.2)	4.620 (117.3)	1.406 (35.7)	1.750 (44.5)	0.625 (15.9)	0.938 (23.8)
17	25	1.563 - 18 UNEF	1.820 (46.2)	5.120 (130.0)	1.593 (40.5)	2.093 (53.2)	0.812 (20.6)	1.188 (30.2)
18	25	1.563 - 18 UNEF	1.820 (46.2)	5.120 (130.0)	1.593 (40.5)	2.093 (53.2)	0.875 (22.2)	1.250 (31.8)
19	25	1.563 - 18 UNEF	1.820 (46.2)	5.120 (130.0)	1.625 (41.3)	2.343 (59.5)	1.000 (25.4)	1.380 (35.1)
20	29	1.875 - 16 UN	2.140 (54.4)	5.120 (130.0)	1.593 (40.5)	2.093 (53.2)	0.812 (20.6)	1.188 (30.2)
21	29	1.875 - 16 UN	2.140 (54.4)	5.120 (130.0)	1.625 (41.3)	2.343 (59.5)	1.000 (25.4)	1.380 (35.1)
22	33	2.062 - 16 UNS	2.330 (59.2)	5.120 (130.0)	1.625 (41.3)	2.343 (59.5)	1.000 (25.4)	1.380 (35.1)
23	33	2.062 - 16 UNS	2.330 (59.2)	5.120 (130.0)	1.900 (48.3)	2.750 (69.9)	1.250 (31.8)	1.625 (41.3)
24	11	0.750 - 20 UNEF	1.030 (26.2)	3.620 (91.9)	1.281 (32.5)	1.125 (28.6)	0.281 (7.1)	0.438 (11.1)
25	11	0.750 - 20 UNEF	1.030 (26.2)	3.620 (91.9)	1.281 (32.5)	1.312 (33.3)	0.344 (8.7)	0.562 (14.3)
26	13	0.875 - 20 UNEF	1.140 (29.0)	3.620 (91.9)	1.281 (32.5)	1.312 (33.3)	0.344 (8.7)	0.562 (14.3)
27	13	0.875 - 20 UNEF	1.140 (29.0)	4.120 (104.6)	1.281 (32.5)	1.312 (33.3)	0.375 (9.5)	0.625 (15.9)
28	15	1.000 - 20 UNEF	1.260 (32.0)	4.120 (104.6)	1.281 (32.5)	1.312 (33.3)	0.375 (9.5)	0.625 (15.9)

Dimensions are in inches (mm).



M28840/7 Type Dummy Stowage Receptacle

RY85049 Series • M85049 Type Backshells



Photo for example only

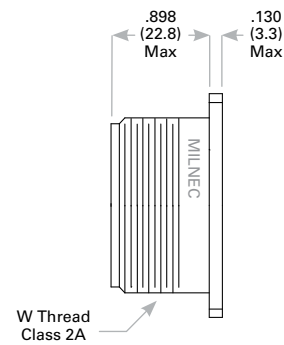
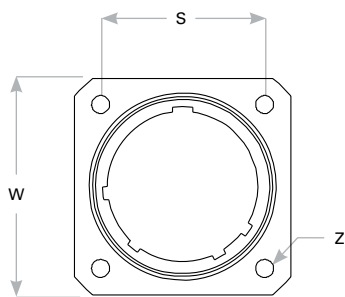
RY28840/7 - E 1

- 1 **BASIC PART NUMBER**
RY28840/7
M28840/7 type
Dummy stowage receptacle
- 2 **SHELL SIZE DESIGNATOR**
See Dimensions table below
- 3 **KEY POSITIONS**
1 1 or 2, 3, 4, 5, 6

RY28840/7 Dimensions

Shell Size Designator	Shell Size Ref.	W Thread Class 2A	S	W Max	Z Max
A	11	0.750-0.1P-0.2L-DS	0.750 (19.1)	1.043 (26.5)	0.130 (3.3)
B	13	0.875-0.1P-0.2L-DS	0.843 (21.4)	1.158 (29.4)	0.130 (3.3)
C	15	1.062-0.1P-0.2L-DS	0.968 (24.6)	1.278 (32.5)	0.130 (3.3)
D	17	1.125-0.1P-0.2L-DS	1.015 (25.8)	1.403 (35.6)	0.130 (3.3)
E	19	1.312-0.1P-0.2L-DS	1.140 (29.0)	1.528 (38.8)	0.130 (3.3)
F	23	1.500-0.1P-0.2L-DS	1.281 (32.5)	1.738 (44.1)	0.130 (3.3)
G	25	1.625-0.1P-0.2L-DS	1.392 (35.4)	1.838 (46.7)	0.157 (4.0)
H	29	1.812-0.1P-0.2L-DS	1.568 (39.8)	2.158 (54.8)	0.157 (4.0)
J	33	2.000-0.1P-0.2L-DS	1.734 (44.0)	2.348 (59.6)	0.183 (4.6)

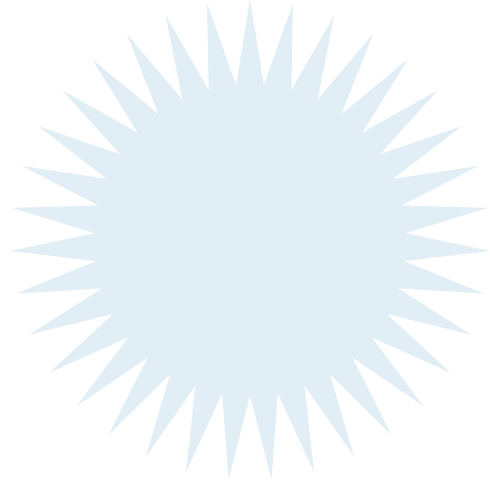
Dimensions are in inches (mm).



Rev. 1825

M85049/140 Type Heat Shrink Boot

RY85049 Series • M85049 Type Backshells



Rev. 1825

M28840/8 Style A Type 90° EMI/Env. Backshell

Ry85049 Series • M85049 Type Backshells



Photo for example only

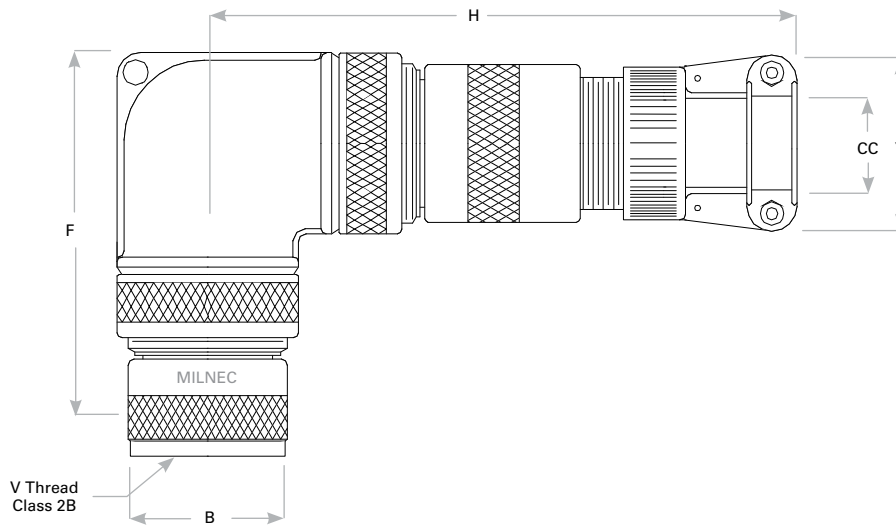
Ry28840/8 10 W A

- 1 **BASIC PART NUMBER**
Ry28840/8
M28840/8 type
90° EMI/environmental backshell
- 2 **DASH NO.**
See Dimensions table below
- 3 **MATERIAL & FINISH**
W Aluminum, olive drab cadmium
D Corrosion-resistant steel, black cadmium
- 4 **STYLE**
A EMI/environmental

Ry28840/8 Compatibility

Compatible Connector Series

MIL-DTL-28840



(Continued on next page)

Rev. 1825

M28840/8 Style A Type 90° EMI/Env. Backshell

Ry85049 Series • M85049 Type Backshells

Ry28840/8 Dimensions (Continued from previous page)

Dash No.	Shell Size	V Thread Class 2B	B Max	F Max	H Max	Y	CC Cable Clearance	
							Min	Max
01	11	0.750 - 20 UNEF	1.028 (26.1)	2.614 (66.4)	5.332 (135.4)	0.938 (23.8)	0.188 (4.8)	0.312 (7.9)
02	13	0.875 - 20 UNEF	1.141 (29.0)	2.614 (66.4)	5.332 (135.4)	0.938 (23.8)	0.188 (4.8)	0.312 (7.9)
03	13	0.875 - 20 UNEF	1.141 (29.0)	2.614 (66.4)	5.332 (135.4)	1.125 (28.6)	0.281 (7.1)	0.438 (11.1)
04	15	1.000 - 20 UNEF	1.263 (32.1)	2.864 (72.7)	5.457 (138.6)	0.938 (23.8)	0.188 (4.8)	0.312 (7.9)
05	15	1.000 - 20 UNEF	1.263 (32.1)	2.864 (72.7)	5.457 (138.6)	1.125 (28.6)	0.281 (7.1)	0.438 (11.1)
06	15	1.000 - 20 UNEF	1.263 (32.1)	2.864 (72.7)	5.457 (138.6)	1.312 (33.3)	0.344 (8.7)	0.562 (14.3)
07	15	1.000 - 20 UNEF	1.263 (32.1)	3.114 (79.1)	5.682 (144.3)	1.593 (40.5)	0.438 (11.1)	0.750 (19.1)
08	17	1.125 - 18 UNEF	1.387 (35.2)	3.114 (79.1)	5.682 (144.3)	1.312 (33.3)	0.375 (9.5)	0.625 (15.9)
09	17	1.125 - 18 UNEF	1.387 (35.2)	3.114 (79.1)	5.713 (145.1)	1.593 (40.5)	0.438 (11.1)	0.750 (19.1)
10	17	1.125 - 18 UNEF	1.387 (35.2)	3.114 (79.1)	5.807 (147.5)	1.750 (44.5)	0.625 (15.9)	0.938 (23.8)
11	19	1.250 - 18 UNEF	1.513 (38.4)	3.114 (79.1)	5.682 (144.3)	1.312 (33.3)	0.375 (9.5)	0.625 (15.9)
12	19	1.250 - 18 UNEF	1.513 (38.4)	3.364 (85.4)	5.832 (148.1)	1.750 (44.5)	0.625 (15.9)	0.938 (23.8)
13	23	1.438 - 18 UNEF	1.703 (43.3)	3.364 (85.4)	5.738 (145.7)	1.593 (40.5)	0.438 (11.1)	0.750 (19.1)
14	23	1.438 - 18 UNEF	1.703 (43.3)	3.364 (85.4)	5.832 (148.1)	1.750 (44.5)	0.625 (15.9)	0.938 (23.8)
15	23	1.438 - 18 UNEF	1.703 (43.3)	3.364 (85.4)	6.019 (152.9)	2.093 (53.2)	0.812 (20.6)	1.188 (30.2)
16	25	1.562 - 18 UNEF	1.825 (46.4)	3.364 (85.4)	5.832 (148.1)	1.750 (44.5)	0.625 (15.9)	0.938 (23.8)
17	25	1.562 - 18 UNEF	1.825 (46.4)	3.364 (85.4)	6.019 (152.9)	2.093 (53.2)	0.812 (20.6)	1.188 (30.2)
18	25	1.562 - 18 UNEF	1.825 (46.4)	3.614 (91.8)	6.144 (156.1)	2.093 (53.2)	0.875 (22.2)	1.250 (31.8)
19	25	1.562 - 18 UNEF	1.825 (46.4)	3.614 (91.8)	6.176 (156.9)	2.343 (59.5)	1.000 (25.4)	1.380 (35.1)
20	29	1.875 - 16 UN	2.143 (54.4)	3.614 (91.8)	6.144 (156.1)	2.093 (53.2)	0.812 (20.6)	1.188 (30.2)
21	29	1.875 - 16 UN	2.143 (54.4)	3.614 (91.8)	6.176 (156.9)	2.343 (59.5)	1.000 (25.4)	1.380 (35.1)
22	33	2.062 - 16 UNS	2.329 (59.2)	4.114 (104.5)	6.426 (163.2)	2.343 (59.5)	1.000 (25.4)	1.380 (35.1)
23	33	2.062 - 16 UNS	2.329 (59.2)	4.114 (104.5)	6.701 (170.2)	2.750 (69.9)	1.250 (31.8)	1.625 (41.3)
24	11	0.750 - 20 UNEF	1.028 (26.1)	2.614 (66.4)	5.332 (135.4)	1.125 (28.6)	0.281 (7.1)	0.438 (11.1)
25	11	0.750 - 20 UNEF	1.028 (26.1)	2.864 (72.7)	5.457 (138.6)	1.312 (33.3)	0.344 (8.7)	0.562 (14.3)
26	13	0.875 - 20 UNEF	1.141 (29.0)	2.864 (72.7)	5.457 (138.6)	1.312 (33.3)	0.344 (8.7)	0.562 (14.3)
27	13	0.875 - 20 UNEF	1.141 (29.0)	3.114 (79.1)	5.682 (144.3)	1.312 (33.3)	0.375 (9.5)	0.625 (15.9)
28	15	1.000 - 20 UNEF	1.263 (32.1)	3.114 (79.1)	5.682 (144.3)	1.312 (33.3)	0.375 (9.5)	0.625 (15.9)

Dimensions are in inches (mm).

M28840/8 Style B Type 90° Environmental Backshell

Ry85049 Series • M85049 Type Backshells

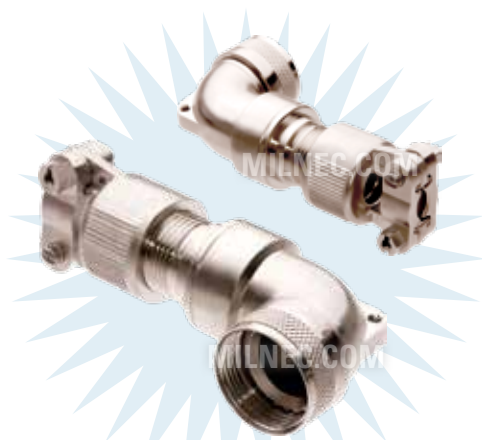


Photo for example only

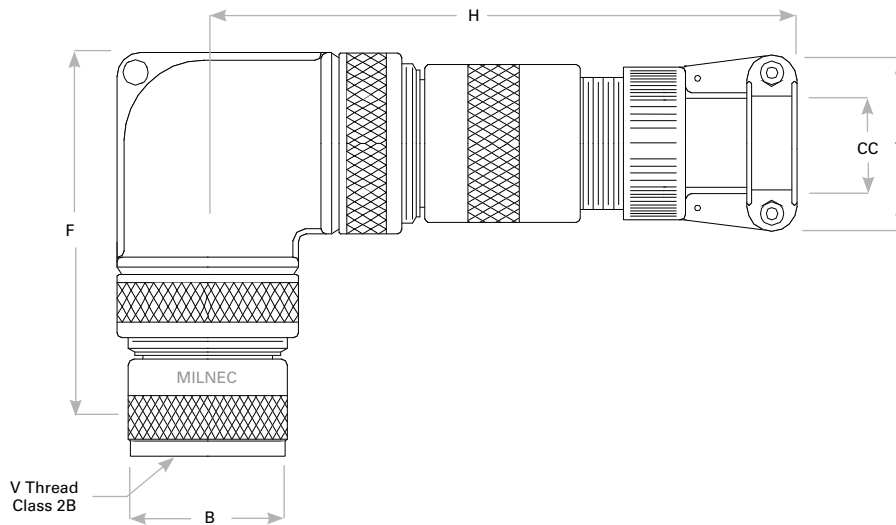
Ry28840/8 10 W B

- 1 **BASIC PART NUMBER**
Ry28840/8
M28840/8 type
90° Environmental backshell
- 2 **DASH NO.**
See Dimensions table below
- 3 **MATERIAL & FINISH**
W Aluminum, olive drab cadmium
D Corrosion-resistant steel, black cadmium
- 4 **STYLE**
B Environmental

Ry28840/8 Compatibility

Compatible Connector Series

MIL-DTL-28840



(Continued on next page)

Rev. 1825

M28840/8 Style B Type 90° Environmental Backshell

Ry85049 Series • M85049 Type Backshells

Ry28840/8 Dimensions (Continued from previous page)

Dash No.	Shell Size	V Thread Class 2B	B Max	F Max	H Max	Y	CC Cable Clearance	
							Min	Max
01	11	0.750 - 20 UNEF	1.030 (26.2)	2.614 (66.4)	2.962 (75.2)	0.938 (23.8)	0.188 (4.8)	0.312 (7.9)
02	13	0.875 - 20 UNEF	1.140 (29.0)	2.614 (66.4)	2.962 (75.2)	0.938 (23.8)	0.188 (4.8)	0.312 (7.9)
03	13	0.875 - 20 UNEF	1.140 (29.0)	2.614 (66.4)	2.962 (75.2)	1.125 (28.6)	0.281 (7.1)	0.438 (11.1)
04	15	1.000 - 20 UNEF	1.260 (32.0)	2.864 (72.7)	3.087 (78.4)	0.938 (23.8)	0.188 (4.8)	0.312 (7.9)
05	15	1.000 - 20 UNEF	1.260 (32.0)	2.864 (72.7)	3.087 (78.4)	1.125 (28.6)	0.281 (7.1)	0.438 (11.1)
06	15	1.000 - 20 UNEF	1.260 (32.0)	2.864 (72.7)	3.087 (78.4)	1.312 (33.3)	0.344 (8.7)	0.562 (14.3)
07	15	1.000 - 20 UNEF	1.260 (32.0)	3.114 (79.1)	3.312 (84.1)	1.593 (40.5)	0.438 (11.1)	0.750 (19.1)
08	17	1.125 - 18 UNEF	1.390 (35.3)	3.114 (79.1)	3.312 (84.1)	1.312 (33.3)	0.375 (9.5)	0.625 (15.9)
09	17	1.125 - 18 UNEF	1.390 (35.3)	3.114 (79.1)	3.343 (84.9)	1.593 (40.5)	0.438 (11.1)	0.750 (19.1)
10	17	1.125 - 18 UNEF	1.390 (35.3)	3.114 (79.1)	3.437 (87.3)	1.750 (44.5)	0.625 (15.9)	0.938 (23.8)
11	19	1.250 - 18 UNEF	1.510 (38.4)	3.114 (79.1)	3.312 (84.1)	1.312 (33.3)	0.375 (9.5)	0.625 (15.9)
12	19	1.250 - 18 UNEF	1.510 (38.4)	3.364 (85.4)	3.462 (87.9)	1.750 (44.5)	0.625 (15.9)	0.938 (23.8)
13	23	1.438 - 18 UNEF	1.700 (43.2)	3.364 (85.4)	3.368 (85.5)	1.593 (40.5)	0.438 (11.1)	0.750 (19.1)
14	23	1.438 - 18 UNEF	1.700 (43.2)	3.364 (85.4)	3.462 (87.9)	1.750 (44.5)	0.625 (15.9)	0.938 (23.8)
15	23	1.438 - 18 UNEF	1.700 (43.2)	3.364 (85.4)	3.649 (92.7)	2.093 (53.2)	0.812 (20.6)	1.188 (30.2)
16	25	1.563 - 18 UNEF	1.820 (46.2)	3.364 (85.4)	3.462 (87.9)	1.750 (44.5)	0.625 (15.9)	0.938 (23.8)
17	25	1.563 - 18 UNEF	1.820 (46.2)	3.364 (85.4)	3.649 (92.7)	2.093 (53.2)	0.812 (20.6)	1.188 (30.2)
18	25	1.563 - 18 UNEF	1.820 (46.2)	3.614 (91.8)	3.774 (95.9)	2.093 (53.2)	0.875 (22.2)	1.250 (31.8)
19	25	1.563 - 18 UNEF	1.820 (46.2)	3.614 (91.8)	3.806 (96.7)	2.343 (59.5)	1.000 (25.4)	1.380 (35.1)
20	29	1.875 - 16 UN	2.140 (54.4)	3.614 (91.8)	3.774 (95.9)	2.093 (53.2)	0.812 (20.6)	1.188 (30.2)
21	29	1.875 - 16 UN	2.140 (54.4)	3.614 (91.8)	3.806 (96.7)	2.343 (59.5)	1.000 (25.4)	1.380 (35.1)
22	33	2.063 - 16 UNS	2.330 (59.2)	4.114 (104.5)	4.056 (103.0)	2.343 (59.5)	1.000 (25.4)	1.380 (35.1)
23	33	2.063 - 16 UNS	2.330 (59.2)	4.114 (104.5)	4.331 (110.0)	2.750 (69.9)	1.250 (31.8)	1.625 (41.3)
24	11	0.750 - 20 UNEF	1.030 (26.2)	2.614 (66.4)	2.962 (75.2)	1.125 (28.6)	0.281 (7.1)	0.438 (11.1)
25	11	0.750 - 20 UNEF	1.030 (26.2)	2.864 (72.7)	3.087 (78.4)	1.312 (33.3)	0.344 (8.7)	0.562 (14.3)
26	13	0.875 - 20 UNEF	1.140 (29.0)	2.864 (72.7)	3.087 (78.4)	1.312 (33.3)	0.344 (8.7)	0.562 (14.3)
27	13	0.875 - 20 UNEF	1.140 (29.0)	3.114 (79.1)	3.312 (84.1)	1.312 (33.3)	0.375 (9.5)	0.625 (15.9)
28	15	1.000 - 20 UNEF	1.260 (32.0)	3.114 (79.1)	3.312 (84.1)	1.312 (33.3)	0.375 (9.5)	0.625 (15.9)

Dimensions are in inches (mm).

M28840/9 Style A Type 45° EMI/Env. Backshell

Ry85049 Series • M85049 Type Backshells



Photo for example only

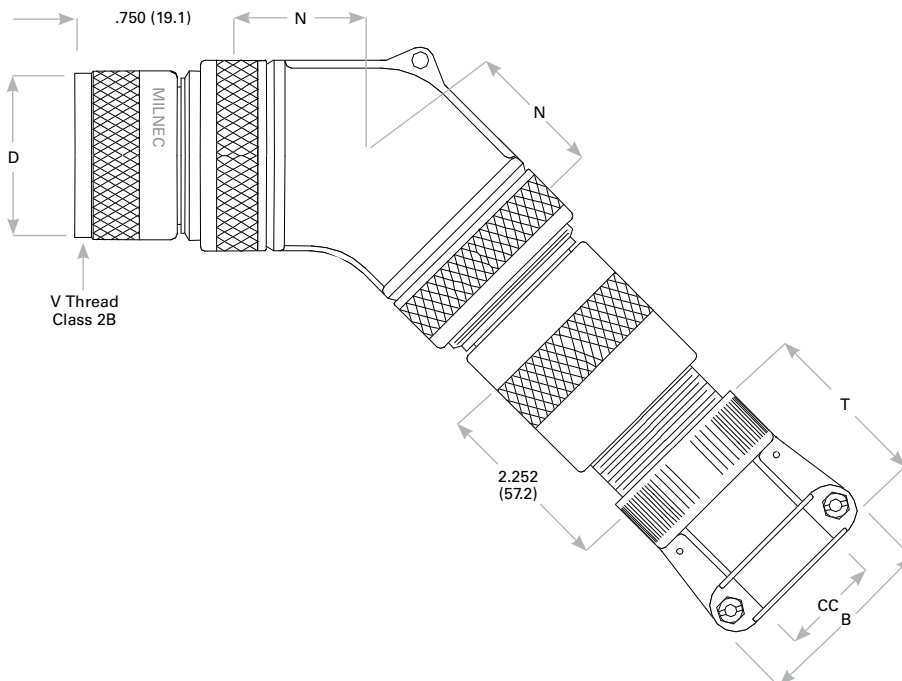
Ry28840/9 10 W A

- 1 **BASIC PART NUMBER**
Ry28840/9
M28840/9 type
45° EMI/environmental backshell
- 2 **DASH NO.**
See Dimensions table below
- 3 **MATERIAL & FINISH**
W Aluminum, olive drab cadmium
D Corrosion-resistant steel, black cadmium
- 4 **STYLE**
B Environmental

Ry28840/9 Compatibility

Compatible Connector Series

MIL-DTL-28840



(Continued on next page)

Rev. 1825

M28840/8 Style A Type 45° EMI/Env. Backshell

Ry85049 Series • M85049 Type Backshells

Ry28840/9 Dimensions (Continued from previous page)

Dash No.	Shell Size	V Thread Class 2B	D Max	N Max	T	B	CC Cable Clearance	
							Min	Max
01	11	0.750 - 20 UNEF	1.028 (26.1)	1.031 (26.2)	1.281 (32.5)	0.938 (23.8)	0.188 (4.8)	0.312 (7.9)
02	13	0.875 - 20 UNEF	1.141 (29.0)	1.031 (26.2)	1.281 (32.5)	0.938 (23.8)	0.188 (4.8)	0.312 (7.9)
03	13	0.875 - 20 UNEF	1.141 (29.0)	1.031 (26.2)	1.281 (32.5)	1.125 (28.6)	0.281 (7.1)	0.438 (11.1)
04	15	1.000 - 20 UNEF	1.263 (32.1)	1.156 (29.4)	1.281 (32.5)	0.938 (23.8)	0.188 (4.8)	0.312 (7.9)
05	15	1.000 - 20 UNEF	1.263 (32.1)	1.156 (29.4)	1.281 (32.5)	1.125 (28.6)	0.281 (7.1)	0.438 (11.1)
06	15	1.000 - 20 UNEF	1.263 (32.1)	1.156 (29.4)	1.281 (32.5)	1.312 (33.3)	0.344 (8.7)	0.562 (14.3)
07	15	1.000 - 20 UNEF	1.263 (32.1)	1.281 (32.5)	1.312 (33.3)	1.593 (40.5)	0.438 (11.1)	0.750 (19.1)
08	17	1.125 - 18 UNEF	1.387 (35.2)	1.281 (32.5)	1.281 (32.5)	1.312 (33.3)	0.375 (9.5)	0.625 (15.9)
09	17	1.125 - 18 UNEF	1.387 (35.2)	1.281 (32.5)	1.312 (33.3)	1.593 (40.5)	0.438 (11.1)	0.750 (19.1)
10	17	1.125 - 18 UNEF	1.387 (35.2)	1.281 (32.5)	1.406 (35.7)	1.750 (44.5)	0.625 (15.9)	0.938 (23.8)
11	19	1.250 - 18 UNEF	1.513 (38.4)	1.281 (32.5)	1.281 (32.5)	1.312 (33.3)	0.375 (9.5)	0.625 (15.9)
12	19	1.250 - 18 UNEF	1.513 (38.4)	1.406 (35.7)	1.406 (35.7)	1.750 (44.5)	0.625 (15.9)	0.938 (23.8)
13	23	1.438 - 18 UNEF	1.703 (43.3)	1.406 (35.7)	1.312 (33.3)	1.593 (40.5)	0.438 (11.1)	0.750 (19.1)
14	23	1.438 - 18 UNEF	1.703 (43.3)	1.406 (35.7)	1.406 (35.7)	1.750 (44.5)	0.625 (15.9)	0.938 (23.8)
15	23	1.438 - 18 UNEF	1.703 (43.3)	1.406 (35.7)	1.593 (40.5)	2.093 (53.2)	0.812 (20.6)	1.188 (30.2)
16	25	1.562 - 18 UNEF	1.825 (46.4)	1.406 (35.7)	1.406 (35.7)	1.750 (44.5)	0.625 (15.9)	0.938 (23.8)
17	25	1.562 - 18 UNEF	1.825 (46.4)	1.406 (35.7)	1.593 (40.5)	2.093 (53.2)	0.812 (20.6)	1.188 (30.2)
18	25	1.562 - 18 UNEF	1.825 (46.4)	1.531 (38.9)	1.593 (40.5)	2.093 (53.2)	0.875 (22.2)	1.250 (31.8)
19	25	1.562 - 18 UNEF	1.825 (46.4)	1.531 (38.9)	1.625 (41.3)	2.343 (59.5)	1.000 (25.4)	1.380 (35.1)
20	29	1.875 - 16 UN	2.143 (54.4)	1.531 (38.9)	1.593 (40.5)	2.093 (53.2)	0.812 (20.6)	1.188 (30.2)
21	29	1.875 - 16 UN	2.143 (54.4)	1.531 (38.9)	1.625 (41.3)	2.343 (59.5)	1.000 (25.4)	1.380 (35.1)
22	33	2.062 - 16 UNS	2.329 (59.2)	1.781 (45.2)	1.625 (41.3)	2.343 (59.5)	1.000 (25.4)	1.380 (35.1)
23	33	2.062 - 16 UNS	2.329 (59.2)	1.781 (45.2)	1.900 (48.3)	2.750 (69.9)	1.250 (31.8)	1.625 (41.3)
24	11	0.750 - 20 UNEF	1.028 (26.1)	1.031 (26.2)	1.281 (32.5)	1.125 (28.6)	0.281 (7.1)	0.438 (11.1)
25	11	0.750 - 20 UNEF	1.028 (26.1)	1.156 (29.4)	1.281 (32.5)	1.312 (33.3)	0.344 (8.7)	0.562 (14.3)
26	13	0.875 - 20 UNEF	1.141 (29.0)	1.156 (29.4)	1.281 (32.5)	1.312 (33.3)	0.344 (8.7)	0.562 (14.3)
27	13	0.875 - 20 UNEF	1.141 (29.0)	1.281 (32.5)	1.281 (32.5)	1.312 (33.3)	0.375 (9.5)	0.625 (15.9)
28	15	1.000 - 20 UNEF	1.263 (32.1)	1.281 (32.5)	1.281 (32.5)	1.312 (33.3)	0.375 (9.5)	0.625 (15.9)

Dimensions are in inches (mm).

M28840/9 Style B Type 45° Environmental Backshell

Ry85049 Series • M85049 Type Backshells



Photo for example only

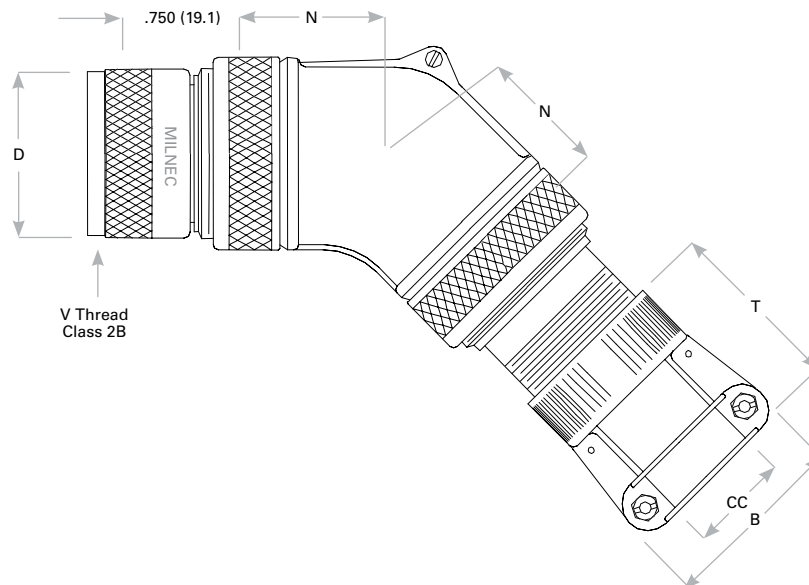
Ry28840/9 10 W B

- 1 **BASIC PART NUMBER**
Ry28840/9
M28840/9 type
45° Environmental backshell
- 2 **DASH NO.**
See Dimensions table below
- 3 **MATERIAL & FINISH**
W Aluminum, olive drab cadmium
D Corrosion-resistant steel, black cadmium
- 4 **STYLE**
B Environmental

Ry28840/9 Compatibility

Compatible Connector Series

MIL-DTL-28840



(Continued on next page)

Rev. 1825

M28840/8 Style B Type 45° Environmental Backshell

Ry85049 Series • M85049 Type Backshells

Ry28840/9 Dimensions (Continued from previous page)

Dash No.	Shell Size	V Thread Class 2B	D Max	N Max	T	B	CC Cable Clearance	
							Min	Max
01	11	0.750 - 20 UNEF	1.030 (26.2)	1.031 (26.2)	1.281 (32.5)	0.938 (23.8)	0.188 (4.8)	0.312 (7.9)
02	13	0.875 - 20 UNEF	1.140 (29.0)	1.031 (26.2)	1.281 (32.5)	0.938 (23.8)	0.188 (4.8)	0.312 (7.9)
03	13	0.875 - 20 UNEF	1.140 (29.0)	1.031 (26.2)	1.281 (32.5)	1.125 (28.6)	0.281 (7.1)	0.438 (11.1)
04	15	1.000 - 20 UNEF	1.260 (32.0)	1.156 (29.4)	1.281 (32.5)	0.938 (23.8)	0.188 (4.8)	0.312 (7.9)
05	15	1.000 - 20 UNEF	1.260 (32.0)	1.156 (29.4)	1.281 (32.5)	1.125 (28.6)	0.281 (7.1)	0.438 (11.1)
06	15	1.000 - 20 UNEF	1.260 (32.0)	1.156 (29.4)	1.281 (32.5)	1.312 (33.3)	0.344 (8.7)	0.562 (14.3)
07	15	1.000 - 20 UNEF	1.260 (32.0)	1.281 (32.5)	1.312 (33.3)	1.593 (40.5)	0.438 (11.1)	0.750 (19.1)
08	17	1.125 - 18 UNEF	1.390 (35.3)	1.281 (32.5)	1.281 (32.5)	1.312 (33.3)	0.375 (9.5)	0.625 (15.9)
09	17	1.125 - 18 UNEF	1.390 (35.3)	1.281 (32.5)	1.312 (33.3)	1.593 (40.5)	0.438 (11.1)	0.750 (19.1)
10	17	1.125 - 18 UNEF	1.390 (35.3)	1.281 (32.5)	1.406 (35.7)	1.750 (44.5)	0.625 (15.9)	0.938 (23.8)
11	19	1.250 - 18 UNEF	1.510 (38.4)	1.281 (32.5)	1.281 (32.5)	1.312 (33.3)	0.375 (9.5)	0.625 (15.9)
12	19	1.250 - 18 UNEF	1.510 (38.4)	1.406 (35.7)	1.406 (35.7)	1.750 (44.5)	0.625 (15.9)	0.938 (23.8)
13	23	1.438 - 18 UNEF	1.700 (43.2)	1.406 (35.7)	1.312 (33.3)	1.593 (40.5)	0.438 (11.1)	0.750 (19.1)
14	23	1.438 - 18 UNEF	1.700 (43.2)	1.406 (35.7)	1.406 (35.7)	1.750 (44.5)	0.625 (15.9)	0.938 (23.8)
15	23	1.438 - 18 UNEF	1.700 (43.2)	1.406 (35.7)	1.593 (40.5)	2.093 (53.2)	0.812 (20.6)	1.188 (30.2)
16	25	1.563 - 18 UNEF	1.820 (46.2)	1.406 (35.7)	1.406 (35.7)	1.750 (44.5)	0.625 (15.9)	0.938 (23.8)
17	25	1.563 - 18 UNEF	1.820 (46.2)	1.406 (35.7)	1.593 (40.5)	2.093 (53.2)	0.812 (20.6)	1.188 (30.2)
18	25	1.563 - 18 UNEF	1.820 (46.2)	1.531 (38.9)	1.593 (40.5)	2.093 (53.2)	0.875 (22.2)	1.250 (31.8)
19	25	1.563 - 18 UNEF	1.820 (46.2)	1.531 (38.9)	1.625 (41.3)	2.343 (59.5)	1.000 (25.4)	1.380 (35.1)
20	29	1.875 - 16 UN	2.140 (54.4)	1.531 (38.9)	1.593 (40.5)	2.093 (53.2)	0.812 (20.6)	1.188 (30.2)
21	29	1.875 - 16 UN	2.140 (54.4)	1.531 (38.9)	1.625 (41.3)	2.343 (59.5)	1.000 (25.4)	1.380 (35.1)
22	33	2.063 - 16 UNS	2.330 (59.2)	1.781 (45.2)	1.625 (41.3)	2.343 (59.5)	1.000 (25.4)	1.380 (35.1)
23	33	2.063 - 16 UNS	2.330 (59.2)	1.781 (45.2)	1.900 (48.3)	2.750 (69.9)	1.250 (31.8)	1.625 (41.3)
24	11	0.750 - 20 UNEF	1.030 (26.2)	1.031 (26.2)	1.281 (32.5)	1.125 (28.6)	0.281 (7.1)	0.438 (11.1)
25	11	0.750 - 20 UNEF	1.030 (26.2)	1.156 (29.4)	1.281 (32.5)	1.312 (33.3)	0.344 (8.7)	0.562 (14.3)
26	13	0.875 - 20 UNEF	1.140 (29.0)	1.156 (29.4)	1.281 (32.5)	1.312 (33.3)	0.344 (8.7)	0.562 (14.3)
27	13	0.875 - 20 UNEF	1.140 (29.0)	1.281 (32.5)	1.281 (32.5)	1.312 (33.3)	0.375 (9.5)	0.625 (15.9)
28	15	1.000 - 20 UNEF	1.260 (32.0)	1.281 (32.5)	1.281 (32.5)	1.312 (33.3)	0.375 (9.5)	0.625 (15.9)

Dimensions are in inches (mm).

M28840/15 Type Protective Plug Cover

R_Y85049 Series • M85049 Type Backshells



R_Y28840/15 H A D

- 1 **BASIC PART NUMBER**
R_Y2880/15
R_Y28840/15 type
Protective plug cover
- 2 **SHELL SIZE DESIGNATOR**
See Dimensions table below
- 3 **ATTACHMENT OPTION**
A Chain with fastener
B Chain with ring
- 4 **MATERIAL & FINISH**
W Aluminum, olive drab cadmium
D Corrosion-resistant steel, black cadmium

R_Y28840/15 Compatibility

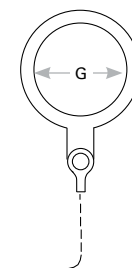
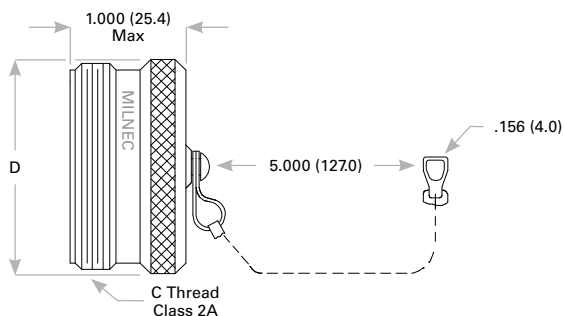
Compatible Connector Series

MIL-DTL-28840

Protective Cover Dimensions

Shell Size Designator	Shell Size	C Thread Class 2A	D Max	G Dia
A	11	0.750-0.1P-0.2L-DS	1.028 (26.1)	0.765 (19.4)
B	13	0.875-0.1P-0.2L-DS	1.141 (29.0)	0.890 (22.6)
C	15	1.062-0.1P-0.2L-DS	1.263 (32.1)	1.015 (25.8)
D	17	1.125-0.1P-0.2L-DS	1.387 (35.2)	1.140 (29.0)
E	19	1.312-0.1P-0.2L-DS	1.513 (38.4)	1.265 (32.1)
F	23	1.500-0.1P-0.2L-DS	1.703 (43.3)	1.453 (36.9)
G	25	1.625-0.1P-0.2L-DS	1.825 (46.4)	1.577 (40.1)
H	29	1.812-0.1P-0.2L-DS	2.143 (54.4)	1.890 (48.0)
J	33	2.000-0.1P-0.2L-DS	2.329 (59.2)	2.077 (52.8)

Dimensions are in inches (mm).



Rev. 1825

M28840/13 Type Protective Receptacle Cover

Ry85049 Series • M85049 Type Backshells

Ry28840/13 H A D

- 1 **BASIC PART NUMBER**
Ry2880/13
 Ry28840/13 type
 Protective receptacle cover
- 2 **SHELL SIZE DESIGNATOR**
 See Dimensions table below
- 3 **ATTACHMENT OPTION**
A Chain with fastener
B Chain with ring for jam nut receptacle
C Chain with ring for cable mount receptacle
- 4 **MATERIAL & FINISH**
W Aluminum, olive drab cadmium
D Corrosion-resistant steel, black cadmium



Photo for example only

Ry28840/13 Compatibility

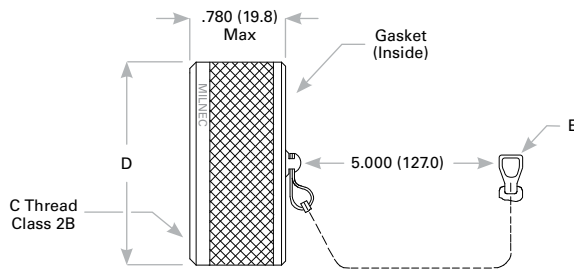
Compatible Connector Series

MIL-DTL-28840

Protective Cover Dimensions

Shell Size Designator	Shell Size	C Thread Class 2B	D Max	H Dia	E Dia
A	11	0.750-0.1P-0.2L-DS	1.028 (26.1)	0.890 (22.6)	0.130 (3.3)
B	13	0.875-0.1P-0.2L-DS	1.141 (29.0)	1.015 (25.8)	0.130 (3.3)
C	15	1.062-0.1P-0.2L-DS	1.263 (32.1)	1.203 (30.6)	0.130 (3.3)
D	17	1.125-0.1P-0.2L-DS	1.387 (35.2)	1.265 (32.1)	0.130 (3.3)
E	19	1.312-0.1P-0.2L-DS	1.513 (38.4)	1.453 (36.9)	0.130 (3.3)
F	23	1.500-0.1P-0.2L-DS	1.703 (43.3)	1.640 (41.7)	0.130 (3.3)
G	25	1.625-0.1P-0.2L-DS	1.825 (46.4)	1.765 (44.8)	0.156 (4.0)
H	29	1.812-0.1P-0.2L-DS	2.143 (54.4)	1.953 (49.6)	0.156 (4.0)
J	33	2.000-0.1P-0.2L-DS	2.329 (59.2)	2.140 (54.4)	0.193 (4.9)

Dimensions are in inches (mm).



Rev. 1825

M28840/22 Type Metal Core Conduit Bushing

R_Y85049 Series • M85049 Type Backshells

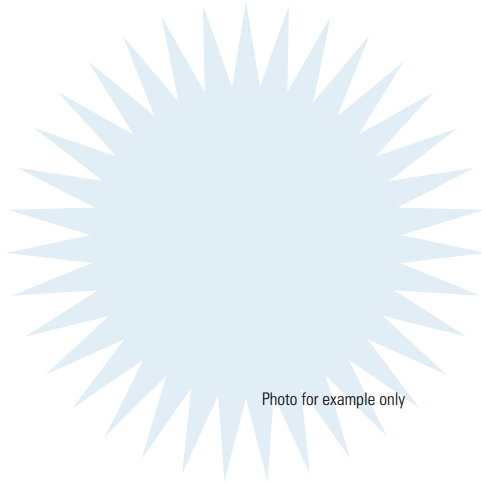


Photo for example only

R_Y28840/22 S 04

- 1 **BASIC PART NUMBER**
R_Y2880/22
R_Y28840/22 type
Metal core conduit bushing
- 2 **MATERIAL DESIGNATOR**
S Corrosion resistant steel passivate
- 3 **BUSHING SIZE**
See Dimensions table below

R_Y28840/22 Compatibility

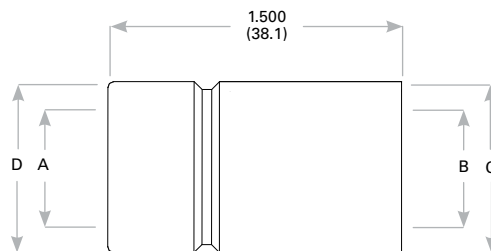
Compatible Connector Series

MIL-DTL-28840

Bushing Dimensions

Bushing Size	NSCT Conduit Size	A	B	C	D
03	03	.375 (9.5)	.540 (13.7)	.625 (15.9)	.525 (13.3)
04	04	.500 (12.7)	.665 (16.9)	.750 (19.1)	.650 (16.5)
05	05	.625 (15.9)	.780 (19.8)	.875 (22.2)	.775 (19.7)
06	06	.750 (19.1)	.940 (23.9)	1.000 (25.4)	.900 (22.9)
08	08	1.000 (25.4)	1.225 (31.1)	1.375 (34.9)	1.275 (32.4)
10	10	1.250 (31.8)	1.470 (37.3)	1.625 (41.3)	1.525 (38.7)
12	12	1.500 (38.1)	1.740 (44.2)	1.875 (47.7)	1.775 (45.1)
16	16	2.000 (50.8)	2.215 (56.3)	2.375 (60.3)	2.275 (57.8)

Dimensions are in inches (mm).



Rev. 1825

M28840/23 Type Environmental Nut (E-Nut)

Ry85049 Series • M85049 Type Backshells

Ry28840/23 - H W

- 1 **BASIC PART NUMBER**
RY2880/23
 RY28840/23 type
 E-Nut
- 2 **SHELL SIZE**
 See Dimensions table below
- 3 **MATERIAL & FINISH**
W Aluminum, olive drab cadmium
D Corrosion-resistant steel, black cadmium



Photo for example only

Ry28840/23 Compatibility

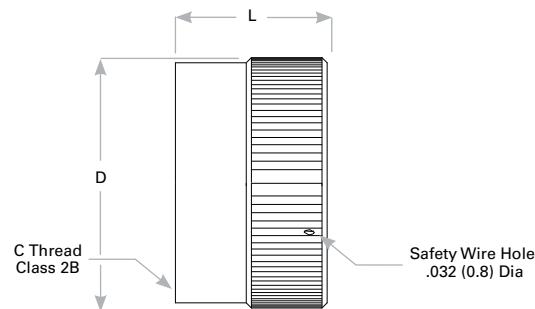
Compatible Connector Series

MIL-DTL-28840

Nut Dimensions

Shell Size	D Max	C Thread Class 2B	L
11	1.028 (26.1)	.750-20 UNEF	.718 (18.2)
13	1.141 (29.0)	.875-20 UNEF	.718 (18.2)
15	1.263 (32.1)	1.000-20 UNEF	.718 (18.2)
17	1.387 (35.2)	1.125-18 UNEF	.718 (18.2)
19	1.513 (38.4)	1.250-18 UNEF	.718 (18.2)
23	1.703 (43.3)	1.438-18 UNEF	.718 (18.2)
25	1.825 (46.4)	1.562-18 UNEF	.718 (18.2)
29	2.143 (54.4)	1.875-16 UN	.718 (18.2)
33	2.329 (59.2)	2.062-16 UNS	.718 (18.2)

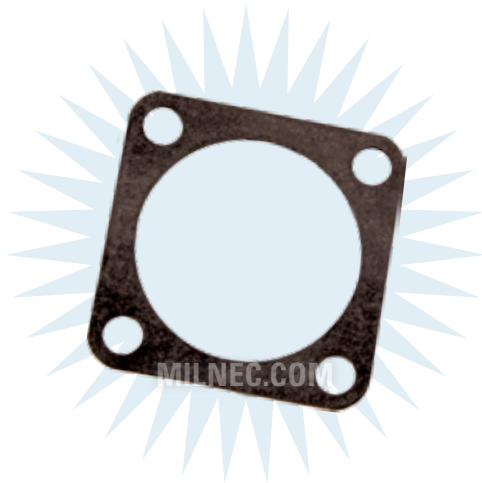
Dimensions are in inches (mm).



Rev. 1825

M28840/24 Type Gasket

Ry85049 Series • M85049 Type Backshells



Ry28840/24 H A

- 1 **BASIC PART NUMBER**
RY2880/22
M28840/22 type
Gasket
- 2 **DESIGNATOR**
See Dimensions table below
- 3 **MATERIAL**
A Florinated Silicone
B EMI shielding, rubber

Ry28840/24 Compatibility

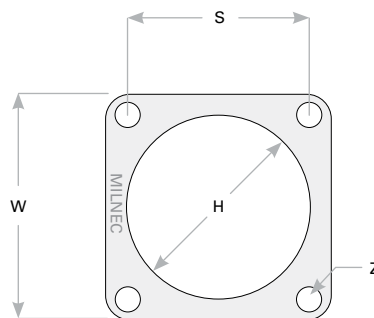
Compatible Connector Series

MIL-DTL-28840

Gasket Dimensions

Designator	Shell Size	W Max	S Max	Z Max	H Max
A	11	1.039 (26.4)	.760 (19.3)	.130 (3.3)	.766 (19.5)
B	13	1.154 (29.3)	.853 (21.7)	.130 (3.3)	.891 (22.6)
C	15	1.274 (32.4)	.978 (24.8)	.130 (3.3)	1.078 (27.4)
D	17	1.399 (35.5)	1.025 (26.0)	.130 (3.3)	1.141 (29.0)
E	19	1.524 (38.7)	1.150 (29.2)	.130 (3.3)	1.338 (34.0)
F	23	1.734 (44.4)	1.281 (32.8)	.130 (3.3)	1.516 (38.5)
G	25	1.834 (46.6)	1.402 (35.6)	.157 (4.0)	1.641 (41.7)
H	29	2.154 (54.7)	1.578 (40.1)	.157 (4.0)	1.891 (48.0)
J	33	2.344 (59.5)	1.744 (44.3)	.183 (4.7)	2.078 (52.8)

Dimensions are in inches (mm).



Rev. 1825

M83723/27M Type Shrink Boot Adapter

Ry85049 Series • M85049 Type Backshells

RY83723/27M 16 M

- 1 **BASIC PART NUMBER**
RY83723/27M
M83723/27M type
Shrink boot adapter
- 2 **ADAPTER SIZE**
See Dimensions table below
- 3 **OPTION**
M Backshell only



RY28840/23 Compatibility

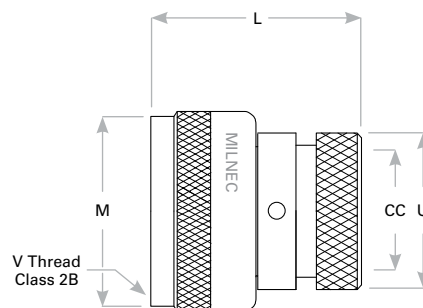
Compatible Connector Series

MIL-DTL-83723 Series II

Adapter Dimensions

Adapter Size	Shell Size	V Thread Class 2B	M Max	CC	U Min	L Max
8	8S	0.438 - 28 UNEF	0.580 (14.7)	0.250 (6.4)	0.479 (12.2)	0.830 (21.1)
10	10S	0.500 - 28 UNEF	0.640 (16.3)	0.303 (7.7)	0.539 (13.7)	0.830 (21.1)
11	10SL	0.562 - 24 UNEF	0.700 (17.8)	0.383 (9.7)	0.608 (15.4)	0.830 (21.1)
12	12	0.625 - 24 UNEF	0.760 (19.3)	0.408 (10.4)	0.659 (16.7)	0.830 (21.1)
13	12S	0.625 - 24 UNEF	0.760 (19.3)	0.408 (10.4)	0.659 (16.7)	0.830 (21.1)
14	14	0.750 - 20 UNEF	0.890 (22.6)	0.490 (12.4)	0.782 (19.9)	0.830 (21.1)
15	14S	0.750 - 20 UNEF	0.890 (22.6)	0.490 (12.4)	0.782 (19.9)	0.830 (21.1)
16	16	0.875 - 20 UNEF	1.010 (25.7)	0.609 (15.5)	0.908 (23.1)	0.996 (25.3)
17	16S	0.875 - 20 UNEF	1.010 (25.7)	0.609 (15.5)	0.908 (23.1)	0.996 (25.3)
18	18	1.000 - 20 UNEF	1.140 (29.0)	0.730 (18.5)	1.025 (26.0)	0.996 (25.3)
20	20	1.125 - 18 UNEF	1.260 (32.0)	0.870 (22.1)	1.212 (30.8)	0.996 (25.3)
22	22	1.250 - 18 UNEF	1.390 (35.3)	0.978 (24.8)	1.343 (34.1)	0.996 (25.3)
24	24	1.375 - 18 UNEF	1.520 (38.6)	1.090 (27.7)	1.450 (36.8)	0.996 (25.3)
28	28	1.625 - 18 UNEF	1.760 (44.7)	1.250 (31.8)	1.671 (42.4)	1.076 (27.3)
32	32	1.875 - 16 UN	2.010 (51.1)	1.520 (38.6)	1.956 (49.7)	1.076 (27.3)
36	36	2.125 - 16 UN	2.260 (57.4)	1.756 (44.6)	2.164 (55.0)	1.076 (27.3)
40	40	2.375 - 16 UN	2.510 (63.8)	1.880 (47.8)	2.500 (63.5)	1.222 (31.0)

Dimensions are in inches (mm).



Rev. 1825

M83723/35S Type Strain Relief Backshell

RY85049 Series • M85049 Type Backshells



RY83723/35S - 18 R

- 1 **BASIC PART NUMBER**
RY83723/35S
 M83723/35S type
 Non-Environmental strain relief backshell
- 2 **DASH NO.**
 See Dimensions table below
- 3 **FINISH**
A Aluminum, black anodize
R Aluminum, electroless nickel

RY83723/35S Compatibility

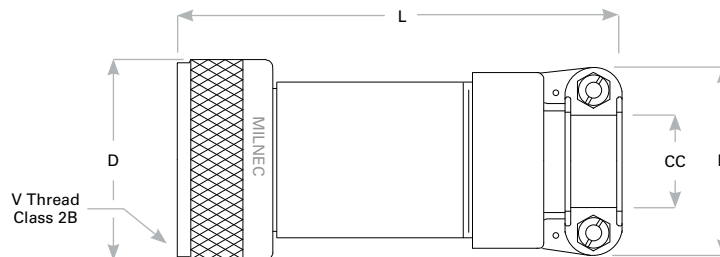
Compatible Connector Series

MIL-DTL-83723 Series II

Backshell Dimensions

Dash No.	Shell Size	V Thread Class 2B	D Max	L Max	B Max	CC Cable Clearance	
						Min	Max
8	8S	0.438 - 28 UNEF	0.590 (15.0)	1.290 (32.8)	0.843 (21.4)	0.125 (3.2)	0.235 (6.0)
10	10S	0.500 - 28 UNEF	0.650 (16.5)	1.290 (32.8)	0.843 (21.4)	0.125 (3.2)	0.235 (6.0)
11	10SL	0.562 - 24 UNEF	0.730 (18.5)	1.290 (32.8)	0.906 (23.0)	0.170 (4.3)	0.287 (7.3)
13	12, 12S	0.625 - 24 UNEF	0.770 (19.6)	1.290 (32.8)	1.085 (27.6)	0.170 (4.3)	0.297 (7.5)
15	14, 14S	0.750 - 20 UNEF	0.910 (23.1)	1.368 (34.7)	1.093 (27.8)	0.235 (6.0)	0.422 (10.7)
16	16	0.875 - 20 UNEF	1.030 (26.2)	1.587 (40.3)	1.275 (32.4)	0.295 (7.5)	0.547 (13.9)
17	16S	0.875 - 20 UNEF	1.030 (26.2)	1.430 (36.3)	1.187 (30.1)	0.295 (7.5)	0.547 (13.9)
18	18	1.000 - 20 UNEF	1.170 (29.7)	1.695 (43.1)	1.475 (37.5)	0.325 (8.3)	0.610 (15.5)
20	20	1.125 - 18 UNEF	1.300 (33.0)	1.695 (43.1)	1.500 (38.1)	0.380 (9.7)	0.735 (18.7)
22	22	1.250 - 18 UNEF	1.420 (36.1)	1.695 (43.1)	1.710 (43.4)	0.380 (9.7)	0.735 (18.7)
24	24	1.375 - 18 UNEF	1.530 (38.9)	1.931 (49.0)	1.719 (43.7)	0.500 (12.7)	0.922 (23.4)
28	28	1.625 - 18 UNEF	1.800 (45.7)	1.931 (49.0)	2.040 (51.8)	0.500 (12.7)	0.922 (23.4)
32	32	1.875 - 16 UN	2.040 (51.8)	1.869 (47.5)	2.332 (59.2)	0.705 (17.9)	1.235 (31.4)
36	36	2.125 - 16 UN	2.270 (57.7)	1.869 (47.5)	2.312 (58.7)	0.725 (18.4)	1.360 (34.5)
40	40	2.375 - 16 UN	2.780 (70.6)	2.875 (73.0)	2.950 (74.9)	0.911 (23.1)	1.630 (41.4)

Dimensions are in inches (mm).



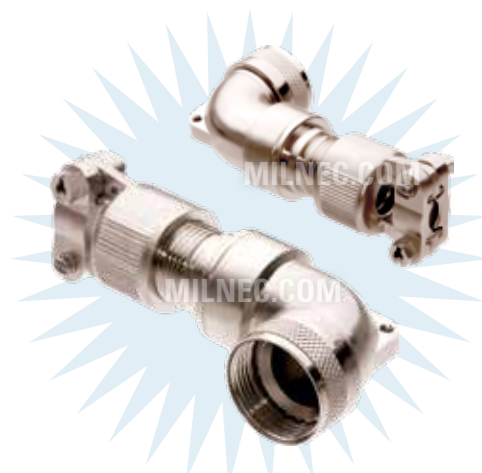
Rev. 1825

M83723/35A Type 90° Strain Relief Backshell

Ry85049 Series • M85049 Type Backshells

RY83723/35A 16 R

- 1 **BASIC PART NUMBER**
RY83723/35A
M83723/27M type
90° non-Environmental strain relief backshell
- 2 **SHELL SIZE**
See Dimensions table below
- 3 **FINISH**
A Aluminum, black anodize
R Aluminum, electroless nickel



RY83723/35A Compatibility

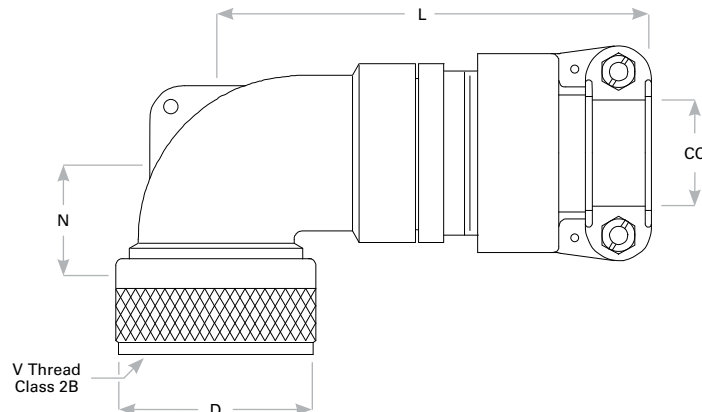
Compatible Connector Series

MIL-DTL-83723 Series II

Backshell Dimensions

Shell Size	V Thread Class 2B	D Max	N Max	L Max	CC Cable Clearance	
					Min	Max
8	0.438 - 28 UNEF	0.805 (20.4)	1.187 (30.1)	1.220 (31.0)	0.102 (2.6)	0.235 (6.0)
10	0.500 - 28 UNEF	0.890 (22.6)	1.187 (30.1)	1.250 (31.8)	0.102 (2.6)	0.235 (6.0)
11	0.562 - 24 UNEF	0.975 (24.8)	1.312 (33.3)	1.280 (32.5)	0.140 (3.6)	0.297 (7.5)
13	0.625 - 24 UNEF	1.005 (25.5)	1.312 (33.3)	1.280 (32.5)	0.140 (3.6)	0.297 (7.5)
12	0.625 - 24 UNEF	1.005 (25.5)	1.468 (37.3)	1.280 (32.5)	0.140 (3.6)	0.297 (7.5)
15	0.750 - 20 UNEF	1.130 (28.7)	1.437 (36.5)	1.405 (35.7)	0.195 (5.0)	0.422 (10.7)
14	0.750 - 20 UNEF	1.130 (28.7)	1.594 (40.5)	1.405 (35.7)	0.195 (5.0)	0.422 (10.7)
17	0.875 - 20 UNEF	1.255 (31.9)	1.531 (38.9)	1.529 (38.8)	0.255 (6.5)	0.547 (13.9)
16	0.875 - 20 UNEF	1.255 (31.9)	1.687 (42.8)	1.529 (38.8)	0.255 (6.5)	0.547 (13.9)
18	1.000 - 20 UNEF	1.350 (34.3)	1.765 (44.8)	1.593 (40.5)	0.285 (7.2)	0.610 (15.5)
20	1.125 - 18 UNEF	1.475 (37.5)	2.000 (50.8)	1.655 (42.0)	0.350 (8.9)	0.735 (18.7)
22	1.250 - 18 UNEF	1.600 (40.6)	2.000 (50.8)	1.718 (43.6)	0.350 (8.9)	0.735 (18.7)
24	1.375 - 18 UNEF	1.725 (43.8)	2.265 (57.5)	1.894 (48.1)	0.468 (11.9)	0.922 (23.4)
28	1.625 - 18 UNEF	1.975 (50.2)	2.265 (57.5)	1.973 (50.1)	0.468 (11.9)	0.922 (23.4)
32	1.875 - 16 UN	2.225 (56.5)	2.578 (65.5)	2.187 (55.5)	0.664 (16.9)	1.235 (31.4)
36	2.125 - 16 UN	2.475 (62.9)	2.815 (71.5)	2.405 (61.1)	0.694 (17.6)	1.360 (34.5)
40	2.375 - 16 UN	2.750 (69.9)	5.800 (147.3)	5.100 (129.5)	0.911 (23.1)	1.630 (41.4)

Dimensions are in inches (mm).



Rev. 1825

M83723/35N Type Environmental Nut (E-Nut)

RY85049 Series • M85049 Type Backshells



Photo for example only

RY83723/35N - 16 A

- 1 **BASIC PART NUMBER**
RY83723/35N
M83723/35N type
Non-self-locking E-nut
- 2 **DASH NO.**
See Dimensions table below
- 3 **MATERIAL**
A Aluminum, black anodize
R Aluminum, electroless nickel

RY83723/35N Compatibility

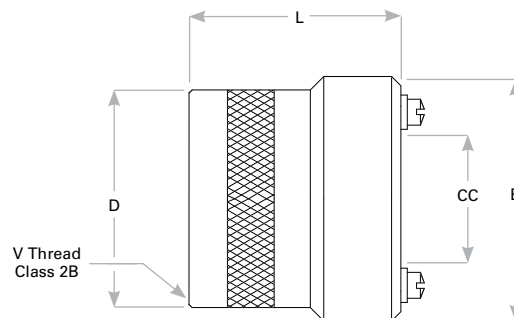
Compatible Connector Series

MIL-DTL-83723, Series II

Backshell Dimensions

Designator	Shell Size	V Thread Class 2B	D Max	L Max	CC Max	B Max
8	8S	0.438 - 28 UNEF	0.590 (15.0)	0.780 (19.8)	0.257 (6.5)	0.900 (22.9)
10	10S	0.500 - 28 UNEF	0.650 (16.5)	0.780 (19.8)	0.310 (7.9)	0.900 (22.9)
11	10SL	0.562 - 24 UNEF	0.730 (18.5)	0.780 (19.8)	0.390 (9.9)	0.980 (24.9)
13	12S	0.625 - 24 UNEF	0.770 (19.6)	0.780 (19.8)	0.415 (10.5)	0.995 (25.3)
15	14S	0.750 - 20 UNEF	0.910 (23.1)	0.780 (19.8)	0.497 (12.6)	1.160 (29.5)
16	16	0.875 - 20 UNEF	1.030 (26.2)	0.970 (24.6)	0.616 (15.6)	1.260 (32.0)
17	16S	0.875 - 20 UNEF	1.030 (26.2)	0.780 (19.8)	0.616 (15.6)	1.260 (32.0)
18	18	1.000 - 20 UNEF	1.170 (29.7)	1.050 (26.7)	0.735 (18.7)	1.455 (37.0)
20	20	1.125 - 18 UNEF	1.300 (33.0)	1.050 (26.7)	0.875 (22.2)	1.580 (40.1)
22	22	1.250 - 18 UNEF	1.420 (36.1)	1.050 (26.7)	0.983 (25.0)	1.580 (40.1)
24	24	1.375 - 18 UNEF	1.540 (39.1)	0.970 (24.6)	1.095 (27.8)	1.890 (48.0)
28	28	1.625 - 18 UNEF	1.800 (45.7)	0.970 (24.6)	1.255 (31.9)	1.890 (48.0)
32	32	1.875 - 16 UN	2.040 (51.8)	0.970 (24.6)	1.525 (38.7)	2.215 (56.3)
36	36	2.125 - 16 UN	2.270 (57.7)	0.970 (24.6)	1.760 (44.7)	2.405 (61.1)
40	40	2.375 - 16 UN	2.780 (70.6)	1.450 (36.8)	2.020 (51.3)	2.781 (70.6)

Dimensions are in inches (mm).



Rev. 1825

M83723/50R Type Qwik-Ty Strain Relief

Ry85049 Series • M85049 Type Backshells

RY83723/50R - 16 N

- 1 **BASIC PART NUMBER**
RY83723/50R
M83723/50R type
Qwik-Ty strain relief
- 2 **SHELL SIZE**
See Dimensions table below
- 3 **MATERIAL & FINISH**
A Aluminum, black anodize
N Aluminum, electroless nickel



Photo for example only

RY83723/50R Compatibility

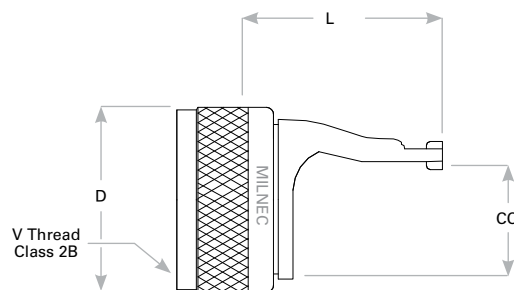
Compatible Connector Series

MIL-DTL-83723, Series II

Backshell Dimensions

Shell Size	V Thread Class 2B	D Max	CC Max Cable Entry	L Max
8	0.438 - 28 UNEF	0.620 (15.7)	0.240 (6.1)	1.060 (26.9)
10	0.500 - 28 UNEF	0.730 (18.5)	0.295 (7.5)	1.060 (26.9)
11	0.562 - 24 UNEF	0.730 (18.5)	0.375 (9.5)	1.060 (26.9)
12	0.625 - 24 UNEF	0.860 (21.8)	0.400 (10.2)	1.120 (28.4)
13	0.625 - 24 UNEF	0.860 (21.8)	0.400 (10.2)	1.120 (28.4)
14	0.750 - 20 UNEF	0.980 (24.9)	0.482 (12.2)	1.300 (33.0)
15	0.750 - 20 UNEF	0.980 (24.9)	0.482 (12.2)	1.310 (33.3)
16	0.875 - 20 UNEF	1.110 (28.2)	0.601 (15.3)	1.300 (33.0)
17	0.875 - 20 UNEF	1.110 (28.2)	0.601 (15.3)	1.300 (33.0)
18	1.000 - 20 UNEF	1.220 (31.0)	0.722 (18.3)	1.360 (34.5)
20	1.125 - 18 UNEF	1.350 (34.3)	0.862 (21.9)	1.500 (38.1)
22	1.250 - 18 UNEF	1.470 (37.3)	0.970 (24.6)	1.620 (41.1)
24	1.375 - 18 UNEF	1.590 (40.4)	1.082 (27.5)	1.680 (42.7)
28	1.625 - 18 UNEF	1.970 (50.0)	1.241 (31.5)	1.710 (43.4)

Dimensions are in inches (mm).



Rev. 1825

M83723/50B Type 45° Qwik-Ty Strain Relief

RY85049 Series • M85049 Type Backshells



Photo for example only

RY83723/50B - 16 N

- 1 **BASIC PART NUMBER**
RY83723/50B
M83723/50B type
45° Qwik-Ty strain relief
- 2 **SHELL SIZE**
See Dimensions table below
- 3 **MATERIAL & FINISH**
A Aluminum, black anodize
N Aluminum, electroless nickel

RY83723/50B Compatibility

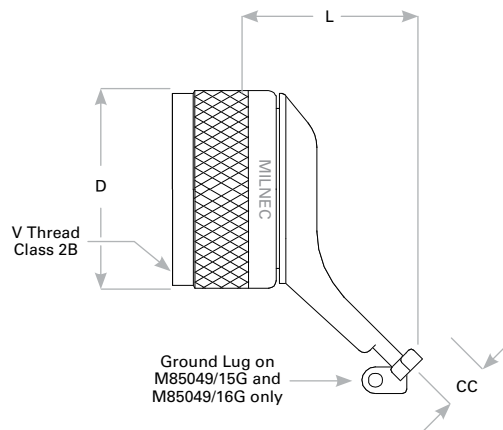
Compatible Connector Series

MIL-DTL-83723, Series II

Backshell Dimensions

Shell Size	V Thread Class 2B	D Max	CC Max Cable Entry	L Max
8	0.438 - 28 UNEF	0.620 (15.7)	0.240 (6.1)	0.740 (18.8)
10	0.500 - 28 UNEF	0.730 (18.5)	0.295 (7.5)	0.740 (18.8)
11	0.562 - 24 UNEF	0.730 (18.5)	0.375 (9.5)	0.740 (18.8)
12	0.625 - 24 UNEF	0.860 (21.8)	0.400 (10.2)	1.510 (38.4)
13	0.625 - 24 UNEF	0.860 (21.8)	0.400 (10.2)	0.740 (18.8)
14	0.750 - 20 UNEF	0.980 (24.9)	0.482 (12.2)	2.010 (51.1)
15	0.750 - 20 UNEF	0.980 (24.9)	0.482 (12.2)	2.020 (51.3)
16	0.875 - 20 UNEF	1.110 (28.2)	0.601 (15.3)	2.010 (51.1)
17	0.875 - 20 UNEF	1.110 (28.2)	0.601 (15.3)	2.010 (51.1)
18	1.000 - 20 UNEF	1.220 (31.0)	0.722 (18.3)	2.170 (55.1)
20	1.125 - 18 UNEF	1.350 (34.3)	0.862 (21.9)	2.250 (57.2)
22	1.250 - 18 UNEF	1.470 (37.3)	0.970 (24.6)	2.250 (57.2)
24	1.375 - 18 UNEF	1.590 (40.4)	1.082 (27.5)	2.330 (59.2)
28	1.625 - 18 UNEF	1.970 (50.0)	1.241 (31.5)	2.330 (59.2)

Dimensions are in inches (mm).



Rev. 1825

M83723/50A Type 90° Qwik-Ty Strain Relief

Ry85049 Series • M85049 Type Backshells

RY83723/50A - 16 N

1 2 3

1 BASIC PART NUMBER
RY83723/50A
 M83723/50A type
 90° Qwik-Ty strain relief

2 SHELL SIZE
 See Dimensions table below

3 MATERIAL & FINISH
A Aluminum, black anodize
N Aluminum, electroless nickel



Photo for example only

RY83723/50A Compatibility

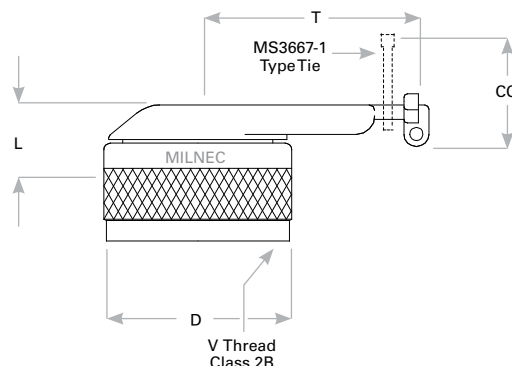
Compatible Connector Series

MIL-DTL-83723, Series II

Backshell Dimensions

Shell Size	V Thread Class 2B	D Max	CC Max Cable Entry	L Max	T Max
8	0.438 - 28 UNEF	0.620 (15.7)	0.240 (6.1)	0.710 (18.0)	0.880 (22.4)
10	0.500 - 28 UNEF	0.730 (18.5)	0.295 (7.5)	0.710 (18.0)	0.940 (23.9)
11	0.562 - 24 UNEF	0.730 (18.5)	0.375 (9.5)	0.710 (18.0)	0.940 (23.9)
12	0.625 - 24 UNEF	0.860 (21.8)	0.400 (10.2)	0.710 (18.0)	1.000 (25.4)
13	0.625 - 24 UNEF	0.860 (21.8)	0.400 (10.2)	0.710 (18.0)	1.000 (25.4)
14	0.750 - 20 UNEF	0.980 (24.9)	0.482 (12.2)	0.710 (18.0)	1.320 (33.5)
15	0.750 - 20 UNEF	0.980 (24.9)	0.482 (12.2)	0.710 (18.0)	1.320 (33.5)
16	0.875 - 20 UNEF	1.110 (28.2)	0.601 (15.3)	0.710 (18.0)	1.370 (34.8)
17	0.875 - 20 UNEF	1.110 (28.2)	0.601 (15.3)	0.710 (18.0)	1.370 (34.8)
18	1.000 - 20 UNEF	1.220 (31.0)	0.722 (18.3)	0.730 (18.5)	1.470 (37.3)
20	1.125 - 18 UNEF	1.350 (34.3)	0.862 (21.9)	0.740 (18.8)	1.510 (38.4)
22	1.250 - 18 UNEF	1.470 (37.3)	0.970 (24.6)	0.630 (16.0)	1.570 (39.9)
24	1.375 - 18 UNEF	1.590 (40.4)	1.082 (27.5)	0.630 (16.0)	1.640 (41.7)
28	1.625 - 18 UNEF	1.970 (50.0)	1.241 (31.5)	0.630 (16.0)	1.710 (43.4)

Dimensions are in inches (mm).



Rev. 1825

M83723/59-1 Type Protective Plug Cover

RY85049 Series • M85049 Type Backshells



RY83723/59-1 14 A C

- 1 **BASIC PART NUMBER**
RY83723/59-1
 M83723/59-1 type
 Protective plug cover
 (Supersedes MS27292)
- 2 **SHELL SIZE**
 See Dimensions table below
- 3 **MATERIAL & FINISH**
A Aluminum, black anodize
R Aluminum, electroless nickel
W Aluminum, olive drab cadmium
- 4 **ATTACHMENT STYLE**
C Chain, 5.000 (127.0)
P Chain, 8.000 (203.2)
R Rope, 5.000 (127.0)
T Rope, 8.000 (203.2)
N No attachment

RY83723/59-1 Compatibility

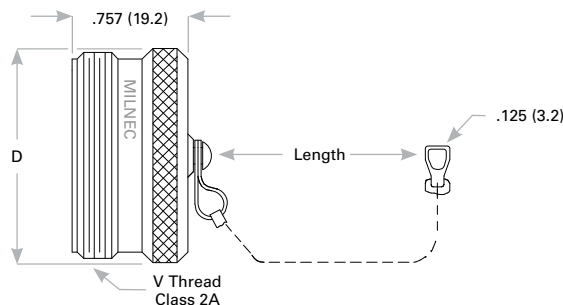
Compatible Connector Series

MIL-DTL-83723, Series III Threaded

Protective Cover Dimensions

Shell Size	M27292 M27293 Dash No.	V Thread Class 2A	D Max
8	7	9/16 - 24 UNEF	0.776 (19.7)
10	1	11/16 - 24 UNEF	0.906 (23.0)
12	2	7/8 - 20 UNEF	1.078 (27.4)
14	3	15/16 - 20 UNEF	1.141 (29.0)
16	4	1 1/16 - 18 UNEF	1.266 (32.2)
18	5	1 3/16 - 18 UNEF	1.375 (34.9)
20	8	1 5/16 - 18 UNEF	1.510 (38.4)
22	6	1 7/16 - 18 UNEF	1.625 (41.3)
24	9	1 9/16 - 18 UNEF	1.760 (44.7)

Dimensions are in inches (mm).



Rev. 1825

M83723/60-1 Type Protective Receptacle Cover

Ry85049 Series • M85049 Type Backshells

Ry83723/60-1 14 A C

- 1 2 3 4

- 1 BASIC PART NUMBER**
RY83723/60-1
 M83723/60-1 type
 Protective receptacle cover
 (Supersedes MS27294)
- 2 SHELL SIZE**
 See Dimensions table below
- 3 MATERIAL & FINISH**
A Aluminum, black anodize
R Aluminum, electroless nickel
W Aluminum, olive drab cadmium
- 4 ATTACHMENT STYLE**
C Chain, 5.000 (127.0)
P Chain, 8.000 (203.2)
R Rope, 5.000 (127.0)
T Rope, 8.000 (203.2)
N No attachment



Photo for example only

Ry83723/60-1 Compatibility

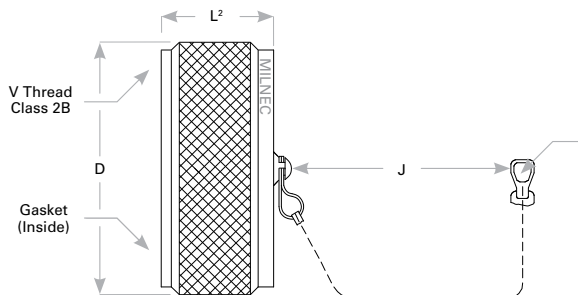
Compatible Connector Series

MIL-DTL-83723, Series III Threaded

Protective Cover Dimensions

Shell Size	M27292 M27293 Dash No.	V Thread Class 2B	D Max
8	7	9/16 - 24 UNEF	0.776 (19.7)
10	1	11/16 - 24 UNEF	0.906 (23.0)
12	2	7/8 - 20 UNEF	1.078 (27.4)
14	3	15/16 - 20 UNEF	1.141 (29.0)
16	4	1 1/16 - 18 UNEF	1.266 (32.2)
18	5	1 3/16 - 18 UNEF	1.375 (34.9)
20	8	1 5/16 - 18 UNEF	1.510 (38.4)
22	6	1 7/16 - 18 UNEF	1.625 (41.3)
24	9	1 9/16 - 18 UNEF	1.760 (44.7)

Dimensions are in inches (mm).



Rev. 1825

M83723/59-2 Type Protective Plug Cover

RY85049 Series • M85049 Type Backshells



RY83723/59-2 14 A C

- 1 **BASIC PART NUMBER**
RY83723/59-2
 M83723/59-2 type
 Protective plug cover
 (Supersedes MS27293)
- 2 **SHELL SIZE**
 See Dimensions table below
- 3 **MATERIAL & FINISH**
A Aluminum, black anodize
R Aluminum, electroless nickel
W Aluminum, olive drab cadmium
- 4 **ATTACHMENT STYLE**
C Chain, 5.000 (127.0)
P Chain, 8.000 (203.2)
R Rope, 5.000 (127.0)
T Rope, 8.000 (203.2)
N No attachment

RY83723/59-2 Compatibility

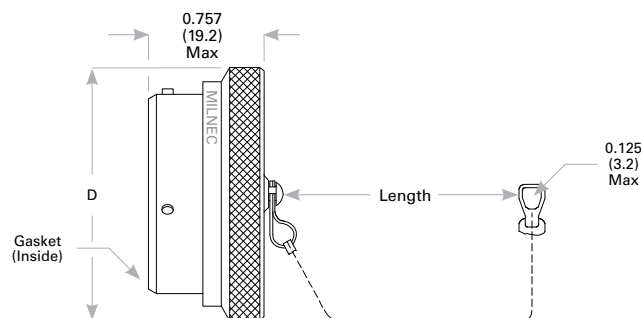
Compatible Connector Series

MIL-DTL-83723 Bayonet

Protective Cover Dimensions

Shell Size	M27294 M27295 Dash No.	D Max
8	7	0.776 (19.7)
10	1	0.906 (23.0)
12	2	1.078 (27.4)
14	3	1.141 (29.0)
16	4	1.266 (32.2)
18	5	1.375 (34.9)
20	8	1.510 (38.4)
22	6	1.625 (41.3)
24	9	1.760 (44.7)

Dimensions are in inches (mm).



Rev. 1825

M83723/60-2 Type Protective Receptacle Cover

Ry85049 Series • M85049 Type Backshells

RY83723/60-2 14 A C

- 1 **BASIC PART NUMBER**
RY83723/60-2
M83723/60-2 type
Protective receptacle cover
(Supersedes MS27295)
- 2 **SHELL SIZE**
See Dimensions table below
- 3 **MATERIAL & FINISH**
A Aluminum, black anodize
R Aluminum, electroless nickel
W Aluminum, olive drab cadmium
- 4 **ATTACHMENT STYLE**
C Chain, 5.000 (127.0)
P Chain, 8.000 (203.2)
R Rope, 5.000 (127.0)
T Rope, 8.000 (203.2)
N No attachment



Photo for example only

RY83723/60-2 Compatibility

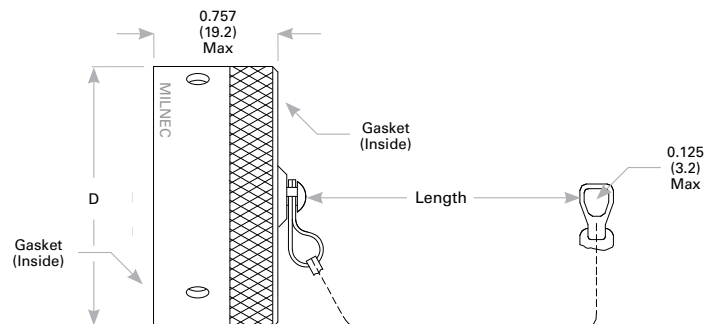
Compatible Connector Series

MIL-DTL-83723 Bayonet

Protective Cover Dimensions

Shell Size	M27294 M27295 Dash No.	D Max
8	7	0.776 (19.7)
10	1	0.906 (23.0)
12	2	1.078 (27.4)
14	3	1.141 (29.0)
16	4	1.266 (32.2)
18	5	1.375 (34.9)
20	8	1.510 (38.4)
22	6	1.625 (41.3)
24	9	1.760 (44.7)

Dimensions are in inches (mm).



Rev. 1825

M83723/70 Type Quick-Disconnect Recept. Adapter

RY85049 Series • M85049 Type Backshells



RY83723/70 W 16

- 1 **BASIC PART NUMBER**
RY83723/70
M83723/70 type
Quick-Disconnect Receptacle Adapter
- 2 **MATERIAL & FINISH**
A Aluminum, black anodize
G Corrosion-resistant steel, passivated
R Aluminum, electroless nickel
W Aluminum, olive drab cadmium
- 3 **SHELL SIZE**
See Dimensions table below

RY83723/70 Compatibility

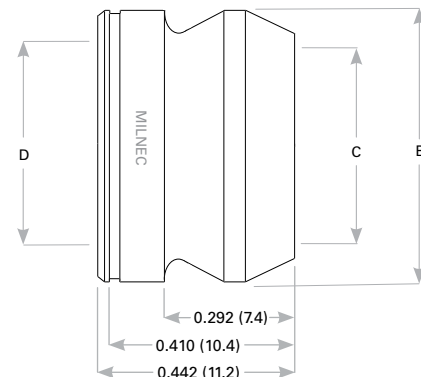
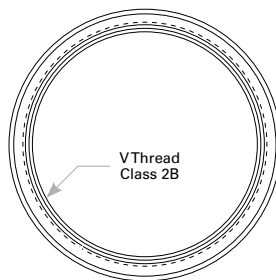
Compatible Connector Series

MIL-DTL-83723

Adapter Dimensions

Shell Size	V Thread Class 2B	D Max	C	B Max
8	9/16 - 24 UNEF	0.579 (14.7)	0.525 (13.3)	0.689 (17.5)
10	11/16 - 24 UNEF	0.714 (18.1)	0.650 (16.5)	0.814 (20.7)
12	7/8 - 20 UNEF	0.894 (22.7)	0.840 (21.3)	1.001 (25.4)
14	15/16 - 20 UNEF	0.954 (24.2)	0.900 (22.9)	1.064 (27.0)
16	1 1/16 - 18 UNEF	1.079 (27.4)	1.025 (26.0)	1.189 (30.2)
18	1 3/16 - 18 UNEF	1.204 (30.6)	1.150 (29.2)	1.330 (33.8)
20	1 5/16 - 18 UNEF	1.329 (33.8)	1.275 (32.4)	1.455 (37.0)
22	1 7/16 - 18 UNEF	1.454 (36.9)	1.400 (35.6)	1.580 (40.1)
24	1 9/16 - 18 UNEF	1.579 (40.1)	1.525 (38.7)	1.705 (43.3)

Dimensions are in inches (mm).



Rev. 1825

AS81511/13 Type Strain Relief Backshell

R_Y85049 Series • M85049 Type Backshells

R_Y81511/13 14 A1

- 1 **BASIC PART NUMBER**
R_Y81511/13
AS81511/13 type
Strain relief backshell
- 2 **SHELL SIZE**
See Dimensions table below
- 3 **ADAPTER CONNECTOR CLASS DESIGNATOR**
A1 Classes E, H, & P
B1 Classes A, B, C, F, G, & T



Photo for example only

R_Y81511/13 Compatibility

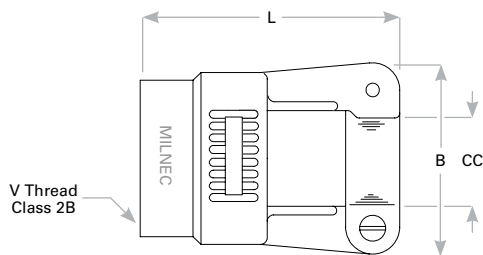
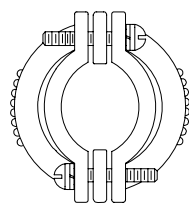
Compatible Connector Series

AS81511 Series I, II, III, & IV

Backshell Dimensions

Shell Size	V Thread Class 2B	L Max	B Max	CC Cable Clearance	
				Min	Max
8	0.500 - 28 UNEF	1.375 (34.9)	0.775 (19.7)	0.062 (1.6)	0.125 (3.2)
10	0.625 - 28 UN	1.375 (34.9)	0.955 (24.3)	0.125 (3.2)	0.250 (6.4)
14	0.875 - 28 UN	1.375 (34.9)	1.145 (29.1)	0.250 (6.4)	0.500 (12.7)
16	1.000 - 28 UN	1.375 (34.9)	1.210 (30.7)	0.375 (9.5)	0.625 (15.9)
18	1.125 - 28 UN	1.375 (34.9)	1.330 (33.8)	0.500 (12.7)	0.750 (19.1)
20	1.250 - 28 UN	1.452 (36.9)	1.470 (37.3)	0.625 (15.9)	0.875 (22.2)
22	1.375 - 28 UN	1.452 (36.9)	1.580 (40.1)	0.750 (19.1)	1.000 (25.4)
24	1.500 - 28 UN	1.452 (36.9)	1.720 (43.7)	0.750 (19.1)	1.125 (28.6)

Dimensions are in inches (mm).



Rev. 1825

AS81511/14 Type EMI Backshell

Ry85049 Series • M85049 Type Backshells



Photo for example only

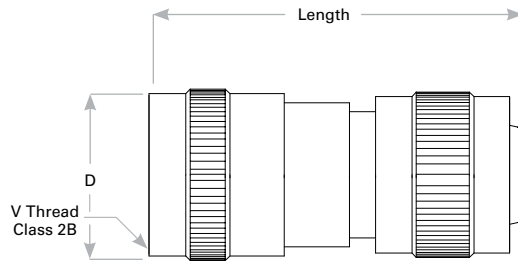
RY81511/14 - 020

- 1 **BASIC PART NUMBER**
RY81511/14
AS81511/14 type
Function A & B: EMI/environmental backshell
Function C & D: EMI/non-environmental backshell
- 2 **DASH NO.**
See Dimensions table below

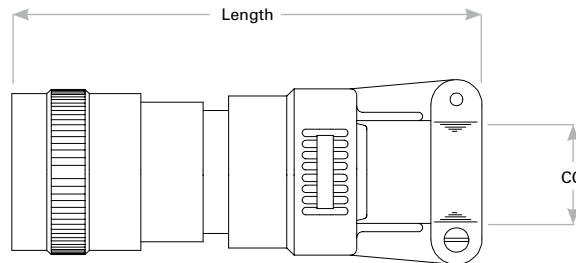
RY81511/14 Compatibility

Compatible Connector Series

AS81511 Series I, II, III & IV



Function A & C



Function B & D

(Continued on next page)

Rev. 1825

AS81511/14 Type EMI Backshell

Ry85049 Series • M85049 Type Backshells

Backshell Dimensions (Continued from previous page)

Dash No.	Shell Size	Function	V Thread Class 2B	D Max	Length	CC Cable Clearance	
						Min	Max
1	8	A	0.500 - 28 UNEF	0.555 (14.1)	2.220 (56.4)	0.062 (1.6)	0.125 (3.2)
2	8	A	0.500 - 28 UNEF	0.555 (14.1)	2.220 (56.4)	0.125 (3.2)	0.250 (6.4)
3	8	B	0.500 - 28 UNEF	0.555 (14.1)	2.720 (69.1)	0.062 (1.6)	0.125 (3.2)
4	8	B	0.500 - 28 UNEF	0.555 (14.1)	2.720 (69.1)	0.125 (3.2)	0.250 (6.4)
5	8	A	0.500 - 28 UNEF	0.555 (14.1)	2.720 (69.1)	0.062 (1.6)	0.125 (3.2)
6	8	A	0.500 - 28 UNEF	0.555 (14.1)	2.720 (69.1)	0.125 (3.2)	0.250 (6.4)
7	8	B	0.500 - 28 UNEF	0.555 (14.1)	3.220 (81.8)	0.062 (1.6)	0.125 (3.2)
8	8	B	0.500 - 28 UNEF	0.555 (14.1)	3.220 (81.8)	0.125 (3.2)	0.250 (6.4)
9	10	A	0.625 - 28 UN	0.680 (17.3)	2.220 (56.4)	0.125 (3.2)	0.250 (6.4)
10	10	A	0.625 - 28 UN	0.680 (17.3)	2.220 (56.4)	0.250 (6.4)	0.375 (9.5)
11	10	A	0.625 - 28 UN	0.680 (17.3)	2.220 (56.4)	0.375 (9.5)	0.500 (12.7)
12	10	B	0.625 - 28 UN	0.680 (17.3)	2.720 (69.1)	0.125 (3.2)	0.250 (6.4)
13	10	B	0.625 - 28 UN	0.680 (17.3)	2.720 (69.1)	0.250 (6.4)	0.375 (9.5)
14	10	B	0.625 - 28 UN	0.680 (17.3)	2.720 (69.1)	0.375 (9.5)	0.500 (12.7)
15	10	A	0.625 - 28 UN	0.680 (17.3)	2.720 (69.1)	0.125 (3.2)	0.250 (6.4)
16	10	A	0.625 - 28 UN	0.680 (17.3)	2.720 (69.1)	0.250 (6.4)	0.375 (9.5)
17	10	A	0.625 - 28 UN	0.680 (17.3)	2.720 (69.1)	0.375 (9.5)	0.500 (12.7)
18	10	B	0.625 - 28 UN	0.680 (17.3)	3.220 (81.8)	0.125 (3.2)	0.250 (6.4)
19	10	B	0.625 - 28 UN	0.680 (17.3)	3.220 (81.8)	0.250 (6.4)	0.375 (9.5)
20	10	B	0.625 - 28 UN	0.680 (17.3)	3.220 (81.8)	0.375 (9.5)	0.500 (12.7)
21	14	A	0.875 - 28 UN	0.930 (23.6)	2.220 (56.4)	0.250 (6.4)	0.375 (9.5)
22	14	A	0.875 - 28 UN	0.930 (23.6)	2.220 (56.4)	0.375 (9.5)	0.500 (12.7)
23	14	A	0.875 - 28 UN	0.930 (23.6)	2.220 (56.4)	0.500 (12.7)	0.625 (15.9)
24	14	B	0.875 - 28 UN	0.930 (23.6)	2.720 (69.1)	0.250 (6.4)	0.375 (9.5)
25	14	B	0.875 - 28 UN	0.930 (23.6)	2.720 (69.1)	0.375 (9.5)	0.500 (12.7)
26	14	B	0.875 - 28 UN	0.930 (23.6)	2.720 (69.1)	0.500 (12.7)	0.625 (15.9)
27	14	A	0.875 - 28 UN	0.930 (23.6)	2.720 (69.1)	0.250 (6.4)	0.375 (9.5)
28	14	A	0.875 - 28 UN	0.930 (23.6)	2.720 (69.1)	0.375 (9.5)	0.500 (12.7)
29	14	A	0.875 - 28 UN	0.930 (23.6)	2.720 (69.1)	0.500 (12.7)	0.625 (15.9)
30	14	B	0.875 - 28 UN	0.930 (23.6)	3.220 (81.8)	0.250 (6.4)	0.375 (9.5)
31	14	B	0.875 - 28 UN	0.930 (23.6)	3.220 (81.8)	0.375 (9.5)	0.500 (12.7)
32	14	B	0.875 - 28 UN	0.930 (23.6)	3.220 (81.8)	0.500 (12.7)	0.625 (15.9)
33	16	A	1.000 - 28 UN	1.056 (26.8)	2.220 (56.4)	0.250 (6.4)	0.375 (9.5)
34	16	A	1.000 - 28 UN	1.056 (26.8)	2.220 (56.4)	0.375 (9.5)	0.500 (12.7)
35	16	A	1.000 - 28 UN	1.056 (26.8)	2.220 (56.4)	0.500 (12.7)	0.625 (15.9)
36	16	B	1.000 - 28 UN	1.056 (26.8)	2.720 (69.1)	0.250 (6.4)	0.375 (9.5)
37	16	B	1.000 - 28 UN	1.056 (26.8)	2.720 (69.1)	0.375 (9.5)	0.500 (12.7)
38	16	B	1.000 - 28 UN	1.056 (26.8)	2.720 (69.1)	0.500 (12.7)	0.625 (15.9)
39	16	A	1.000 - 28 UN	1.056 (26.8)	2.720 (69.1)	0.250 (6.4)	0.375 (9.5)
40	16	A	1.000 - 28 UN	1.056 (26.8)	2.720 (69.1)	0.375 (9.5)	0.500 (12.7)
41	16	A	1.000 - 28 UN	1.056 (26.8)	2.720 (69.1)	0.500 (12.7)	0.625 (15.9)
42	16	B	1.000 - 28 UN	1.056 (26.8)	3.220 (81.8)	0.250 (6.4)	0.375 (9.5)
43	16	B	1.000 - 28 UN	1.056 (26.8)	3.220 (81.8)	0.375 (9.5)	0.500 (12.7)
44	16	B	1.000 - 28 UN	1.056 (26.8)	3.220 (81.8)	0.500 (12.7)	0.625 (15.9)
45	18	A	1.125 - 28 UN	1.180 (30.0)	2.220 (56.4)	0.375 (9.5)	0.500 (12.7)

Dimensions are in inches (mm).

(Continued on next page)

Rev. 1825

AS81511/14 Type EMI Backshell

RY85049 Series • M85049 Type Backshells

Backshell Dimensions (Continued from previous page)

Dash No.	Shell Size	Function	V Thread Class 2B	D Max	Length	CC Cable Clearance	
						Min	Max
46	18	A	1.125 - 28 UN	1.180 (30.0)	2.220 (56.4)	0.500 (12.7)	0.625 (15.9)
47	18	A	1.125 - 28 UN	1.180 (30.0)	2.220 (56.4)	0.625 (15.9)	0.750 (19.1)
48	18	B	1.125 - 28 UN	1.180 (30.0)	2.720 (69.1)	0.375 (9.5)	0.500 (12.7)
49	18	B	1.125 - 28 UN	1.180 (30.0)	2.720 (69.1)	0.500 (12.7)	0.625 (15.9)
50	18	B	1.125 - 28 UN	1.180 (30.0)	2.720 (69.1)	0.625 (15.9)	0.750 (19.1)
51	18	A	1.125 - 28 UN	1.180 (30.0)	2.720 (69.1)	0.375 (9.5)	0.500 (12.7)
52	18	A	1.125 - 28 UN	1.180 (30.0)	2.720 (69.1)	0.500 (12.7)	0.625 (15.9)
53	18	A	1.125 - 28 UN	1.180 (30.0)	2.720 (69.1)	0.625 (15.9)	0.750 (19.1)
54	18	B	1.125 - 28 UN	1.180 (30.0)	3.220 (81.8)	0.375 (9.5)	0.500 (12.7)
55	18	B	1.125 - 28 UN	1.180 (30.0)	3.220 (81.8)	0.500 (12.7)	0.625 (15.9)
56	18	B	1.125 - 28 UN	1.180 (30.0)	3.220 (81.8)	0.625 (15.9)	0.750 (19.1)
57	8	C	.500 - 28 UNEF	0.555 (14.1)	1.710 (43.4)	0.062 (1.6)	0.125 (3.2)
58	8	C	.500 - 28 UNEF	0.555 (14.1)	1.710 (43.4)	0.125 (3.2)	0.250 (6.4)
59	8	D	.500 - 28 UNEF	0.555 (14.1)	2.470 (62.7)	0.062 (1.6)	0.125 (3.2)
60	8	D	.500 - 28 UNEF	0.555 (14.1)	2.470 (62.7)	0.125 (3.2)	0.250 (6.4)
61	8	C	.500 - 28 UNEF	0.555 (14.1)	2.210 (56.1)	0.062 (1.6)	0.125 (3.2)
62	8	C	.500 - 28 UNEF	0.555 (14.1)	2.210 (56.1)	0.125 (3.2)	0.250 (6.4)
63	8	D	.500 - 28 UNEF	0.555 (14.1)	2.970 (75.4)	0.062 (1.6)	0.125 (3.2)
64	8	D	.500 - 28 UNEF	0.555 (14.1)	2.970 (75.4)	0.125 (3.2)	0.250 (6.4)
65	10	C	.625 - 28 UN	0.680 (17.3)	1.710 (43.4)	0.125 (3.2)	0.250 (6.4)
66	10	C	.625 - 28 UN	0.680 (17.3)	1.710 (43.4)	0.250 (6.4)	0.375 (9.5)
67	10	C	.625 - 28 UN	0.680 (17.3)	1.710 (43.4)	0.375 (9.5)	0.500 (12.7)
68	10	D	.625 - 28 UN	0.680 (17.3)	2.470 (62.7)	0.125 (3.2)	0.250 (6.4)
69	10	D	.625 - 28 UN	0.680 (17.3)	2.470 (62.7)	0.250 (6.4)	0.375 (9.5)
70	10	D	.625 - 28 UN	0.680 (17.3)	2.470 (62.7)	0.375 (9.5)	0.500 (12.7)
71	10	C	.625 - 28 UN	0.680 (17.3)	2.210 (56.1)	0.125 (3.2)	0.250 (6.4)
72	10	C	.625 - 28 UN	0.680 (17.3)	2.210 (56.1)	0.250 (6.4)	0.375 (9.5)
73	10	C	.625 - 28 UN	0.680 (17.3)	2.210 (56.1)	0.375 (9.5)	0.500 (12.7)
74	10	D	.625 - 28 UN	0.680 (17.3)	2.970 (75.4)	0.125 (3.2)	0.250 (6.4)
75	10	D	.625 - 28 UN	0.680 (17.3)	2.970 (75.4)	0.250 (6.4)	0.375 (9.5)
76	10	D	.625 - 28 UN	0.680 (17.3)	2.970 (75.4)	0.375 (9.5)	0.500 (12.7)
77	14	C	.875 - 28 UN	0.930 (23.6)	1.710 (43.4)	0.250 (6.4)	0.375 (9.5)
78	14	C	.875 - 28 UN	0.930 (23.6)	1.710 (43.4)	0.375 (9.5)	0.500 (12.7)
79	14	C	.875 - 28 UN	0.930 (23.6)	1.710 (43.4)	0.500 (12.7)	0.625 (15.9)
80	14	D	.875 - 28 UN	0.930 (23.6)	2.470 (62.7)	0.250 (6.4)	0.375 (9.5)
81	14	D	.875 - 28 UN	0.930 (23.6)	2.470 (62.7)	0.375 (9.5)	0.500 (12.7)
82	14	D	.875 - 28 UN	0.930 (23.6)	2.470 (62.7)	0.500 (12.7)	0.625 (15.9)
83	14	C	.875 - 28 UN	0.930 (23.6)	2.210 (56.1)	0.250 (6.4)	0.375 (9.5)
84	14	C	.875 - 28 UN	0.930 (23.6)	2.210 (56.1)	0.375 (9.5)	0.500 (12.7)
85	14	C	.875 - 28 UN	0.930 (23.6)	2.210 (56.1)	0.500 (12.7)	0.625 (15.9)
86	14	D	.875 - 28 UN	0.930 (23.6)	2.970 (75.4)	0.250 (6.4)	0.375 (9.5)
87	14	D	.875 - 28 UN	0.930 (23.6)	2.970 (75.4)	0.375 (9.5)	0.500 (12.7)
88	14	D	.875 - 28 UN	0.930 (23.6)	2.970 (75.4)	0.500 (12.7)	0.625 (15.9)
89	16	C	1.000 - 28 UN	1.056 (26.8)	1.710 (43.4)	0.250 (6.4)	0.375 (9.5)
90	16	C	1.000 - 28 UN	1.056 (26.8)	1.710 (43.4)	0.375 (9.5)	0.500 (12.7)

Dimensions are in inches (mm).

(Continued on next page)

AS81511/14 Type EMI Backshell

Ry85049 Series • M85049 Type Backshells

Backshell Dimensions (Continued from previous page)

Dash No.	Shell Size	Function	V Thread Class 2B	D Max	Length	CC Cable Clearance	
						Min	Max
91	16	C	1.000 - 28 UN	1.056 (26.8)	1.710 (43.4)	0.500 (12.7)	0.625 (15.9)
92	16	D	1.000 - 28 UN	1.056 (26.8)	2.470 (62.7)	0.250 (6.4)	0.375 (9.5)
93	16	D	1.000 - 28 UN	1.056 (26.8)	2.470 (62.7)	0.375 (9.5)	0.500 (12.7)
94	16	D	1.000 - 28 UN	1.056 (26.8)	2.470 (62.7)	0.500 (12.7)	0.625 (15.9)
95	16	C	1.000 - 28 UN	1.056 (26.8)	2.210 (56.1)	0.250 (6.4)	0.375 (9.5)
96	16	C	1.000 - 28 UN	1.056 (26.8)	2.210 (56.1)	0.375 (9.5)	0.500 (12.7)
97	16	C	1.000 - 28 UN	1.056 (26.8)	2.210 (56.1)	0.500 (12.7)	0.625 (15.9)
98	16	D	1.000 - 28 UN	1.056 (26.8)	2.970 (75.4)	0.250 (6.4)	0.375 (9.5)
99	16	D	1.000 - 28 UN	1.056 (26.8)	2.970 (75.4)	0.375 (9.5)	0.500 (12.7)
100	16	D	1.000 - 28 UN	1.056 (26.8)	2.970 (75.4)	0.500 (12.7)	0.625 (15.9)
101	18	C	1.125 - 28 UN	1.180 (30.0)	1.710 (43.4)	0.375 (9.5)	0.500 (12.7)
102	18	C	1.125 - 28 UN	1.180 (30.0)	1.710 (43.4)	0.500 (12.7)	0.625 (15.9)
103	18	C	1.125 - 28 UN	1.180 (30.0)	1.710 (43.4)	0.625 (15.9)	0.750 (19.1)
104	18	D	1.125 - 28 UN	1.180 (30.0)	2.470 (62.7)	0.375 (9.5)	0.500 (12.7)
105	18	D	1.125 - 28 UN	1.180 (30.0)	2.470 (62.7)	0.500 (12.7)	0.625 (15.9)
106	18	D	1.125 - 28 UN	1.180 (30.0)	2.470 (62.7)	0.625 (15.9)	0.750 (19.1)
107	18	C	1.125 - 28 UN	1.180 (30.0)	2.210 (56.1)	0.375 (9.5)	0.500 (12.7)
108	18	C	1.125 - 28 UN	1.180 (30.0)	2.210 (56.1)	0.500 (12.7)	0.625 (15.9)
109	18	C	1.125 - 28 UN	1.180 (30.0)	2.210 (56.1)	0.625 (15.9)	0.750 (19.1)
110	18	D	1.125 - 28 UN	1.180 (30.0)	2.970 (75.4)	0.375 (9.5)	0.500 (12.7)
111	18	D	1.125 - 28 UN	1.180 (30.0)	2.970 (75.4)	0.500 (12.7)	0.625 (15.9)
112	18	D	1.125 - 28 UN	1.180 (30.0)	2.970 (75.4)	0.625 (15.9)	0.750 (19.1)
113	20	A	1.250 - 28 UN	1.305 (33.1)	2.300 (58.4)	0.500 (12.7)	0.625 (15.9)
114	20	A	1.250 - 28 UN	1.305 (33.1)	2.300 (58.4)	0.625 (15.9)	0.750 (19.1)
115	20	A	1.250 - 28 UN	1.305 (33.1)	2.300 (58.4)	0.750 (19.1)	0.875 (22.2)
116	20	B	1.250 - 28 UN	1.305 (33.1)	2.800 (71.1)	0.500 (12.7)	0.625 (15.9)
117	20	B	1.250 - 28 UN	1.305 (33.1)	2.800 (71.1)	0.625 (15.9)	0.750 (19.1)
118	20	B	1.250 - 28 UN	1.305 (33.1)	2.800 (71.1)	0.750 (19.1)	0.875 (22.2)
119	20	A	1.250 - 28 UN	1.305 (33.1)	2.800 (71.1)	0.500 (12.7)	0.625 (15.9)
120	20	A	1.250 - 28 UN	1.305 (33.1)	2.800 (71.1)	0.625 (15.9)	0.750 (19.1)
121	20	A	1.250 - 28 UN	1.305 (33.1)	2.800 (71.1)	0.750 (19.1)	0.875 (22.2)
122	20	B	1.250 - 28 UN	1.305 (33.1)	3.300 (83.8)	0.500 (12.7)	0.625 (15.9)
123	20	B	1.250 - 28 UN	1.305 (33.1)	3.300 (83.8)	0.625 (15.9)	0.750 (19.1)
124	20	B	1.250 - 28 UN	1.305 (33.1)	3.300 (83.8)	0.750 (19.1)	0.875 (22.2)
125	22	A	1.375 - 28 UN	1.430 (36.3)	2.300 (58.4)	0.625 (15.9)	0.750 (19.1)
126	22	A	1.375 - 28 UN	1.430 (36.3)	2.300 (58.4)	0.750 (19.1)	0.875 (22.2)
127	22	A	1.375 - 28 UN	1.430 (36.3)	2.300 (58.4)	0.875 (22.2)	1.000 (25.4)
128	22	B	1.375 - 28 UN	1.430 (36.3)	2.800 (71.1)	0.625 (15.9)	0.750 (19.1)
129	22	B	1.375 - 28 UN	1.430 (36.3)	2.800 (71.1)	0.750 (19.1)	0.875 (22.2)
130	22	B	1.375 - 28 UN	1.430 (36.3)	2.800 (71.1)	0.875 (22.2)	1.000 (25.4)
131	22	A	1.375 - 28 UN	1.430 (36.3)	2.800 (71.1)	0.625 (15.9)	0.750 (19.1)
132	22	A	1.375 - 28 UN	1.430 (36.3)	2.800 (71.1)	0.750 (19.1)	0.875 (22.2)
133	22	A	1.375 - 28 UN	1.430 (36.3)	2.800 (71.1)	0.875 (22.2)	1.000 (25.4)
134	22	B	1.375 - 28 UN	1.430 (36.3)	3.300 (83.8)	0.625 (15.9)	0.750 (19.1)
135	22	B	1.375 - 28 UN	1.430 (36.3)	3.300 (83.8)	0.750 (19.1)	0.875 (22.2)

Dimensions are in inches (mm).

(Continued on next page)

Rev. 1825

AS81511/14 Type EMI Backshell

RY85049 Series • M85049 Type Backshells

Backshell Dimensions (Continued from previous page)

Dash No.	Shell Size	Function	V Thread Class 2B	D Max	Length	CC Cable Clearance	
						Min	Max
136	22	B	1.375 - 28 UN	1.430 (36.3)	3.300 (83.8)	0.875 (22.2)	1.000 (25.4)
137	24	A	1.500 - 28 UN	1.555 (39.5)	2.300 (58.4)	0.750 (19.1)	0.875 (22.2)
138	24	A	1.500 - 28 UN	1.555 (39.5)	2.300 (58.4)	0.875 (22.2)	1.000 (25.4)
139	24	A	1.500 - 28 UN	1.555 (39.5)	2.300 (58.4)	1.000 (25.4)	1.125 (28.6)
140	24	B	1.500 - 28 UN	1.555 (39.5)	2.800 (71.1)	0.750 (19.1)	0.875 (22.2)
141	24	B	1.500 - 28 UN	1.555 (39.5)	2.800 (71.1)	0.875 (22.2)	1.000 (25.4)
142	24	B	1.500 - 28 UN	1.555 (39.5)	2.800 (71.1)	1.000 (25.4)	1.125 (28.6)
143	24	A	1.500 - 28 UN	1.555 (39.5)	2.800 (71.1)	0.750 (19.1)	0.875 (22.2)
144	24	A	1.500 - 28 UN	1.555 (39.5)	2.800 (71.1)	0.875 (22.2)	1.000 (25.4)
145	24	A	1.500 - 28 UN	1.555 (39.5)	2.800 (71.1)	1.000 (25.4)	1.125 (28.6)
146	24	B	1.500 - 28 UN	1.555 (39.5)	3.300 (83.8)	0.750 (19.1)	0.875 (22.2)
147	24	B	1.500 - 28 UN	1.555 (39.5)	3.300 (83.8)	0.875 (22.2)	1.000 (25.4)
148	24	B	1.500 - 28 UN	1.555 (39.5)	3.300 (83.8)	1.000 (25.4)	1.125 (28.6)
149	20	C	1.250 - 28 UN	1.305 (33.1)	1.780 (45.2)	0.500 (12.7)	0.625 (15.9)
150	20	C	1.250 - 28 UN	1.305 (33.1)	1.780 (45.2)	0.625 (15.9)	0.750 (19.1)
151	20	C	1.250 - 28 UN	1.305 (33.1)	1.780 (45.2)	0.750 (19.1)	0.875 (22.2)
152	20	D	1.250 - 28 UN	1.305 (33.1)	2.550 (64.8)	0.500 (12.7)	0.625 (15.9)
153	20	D	1.250 - 28 UN	1.305 (33.1)	2.550 (64.8)	0.625 (15.9)	0.750 (19.1)
154	20	D	1.250 - 28 UN	1.305 (33.1)	2.550 (64.8)	0.750 (19.1)	0.875 (22.2)
155	20	C	1.250 - 28 UN	1.305 (33.1)	2.280 (57.9)	0.500 (12.7)	0.625 (15.9)
156	20	C	1.250 - 28 UN	1.305 (33.1)	2.280 (57.9)	0.625 (15.9)	0.750 (19.1)
157	20	C	1.250 - 28 UN	1.305 (33.1)	2.280 (57.9)	0.750 (19.1)	0.875 (22.2)
158	20	D	1.250 - 28 UN	1.305 (33.1)	3.050 (77.5)	0.500 (12.7)	0.625 (15.9)
159	20	D	1.250 - 28 UN	1.305 (33.1)	3.050 (77.5)	0.625 (15.9)	0.750 (19.1)
160	20	D	1.250 - 28 UN	1.305 (33.1)	3.050 (77.5)	0.750 (19.1)	0.875 (22.2)
161	22	C	1.375 - 28 UN	1.430 (36.3)	1.780 (45.2)	0.625 (15.9)	0.750 (19.1)
162	22	C	1.375 - 28 UN	1.430 (36.3)	1.780 (45.2)	0.750 (19.1)	0.875 (22.2)
163	22	C	1.375 - 28 UN	1.430 (36.3)	1.780 (45.2)	0.875 (22.2)	1.000 (25.4)
164	22	D	1.375 - 28 UN	1.430 (36.3)	2.550 (64.8)	0.625 (15.9)	0.750 (19.1)
165	22	D	1.375 - 28 UN	1.430 (36.3)	2.550 (64.8)	0.750 (19.1)	0.875 (22.2)
171	22	D	1.375 - 28 UN	1.430 (36.3)	3.050 (77.5)	0.750 (19.1)	0.875 (22.2)
172	22	D	1.375 - 28 UN	1.430 (36.3)	3.050 (77.5)	0.875 (22.2)	1.000 (25.4)
173	24	C	1.500 - 28 UN	1.555 (39.5)	1.780 (45.2)	0.750 (19.1)	0.875 (22.2)
174	24	C	1.500 - 28 UN	1.555 (39.5)	1.780 (45.2)	0.875 (22.2)	1.000 (25.4)
175	24	C	1.500 - 28 UN	1.555 (39.5)	1.780 (45.2)	1.000 (25.4)	1.125 (28.6)
176	24	D	1.500 - 28 UN	1.555 (39.5)	2.550 (64.8)	0.750 (19.1)	0.875 (22.2)
177	24	D	1.500 - 28 UN	1.555 (39.5)	2.550 (64.8)	0.875 (22.2)	1.000 (25.4)
178	24	D	1.500 - 28 UN	1.555 (39.5)	2.550 (64.8)	1.000 (25.4)	1.125 (28.6)
179	24	C	1.500 - 28 UN	1.555 (39.5)	2.280 (57.9)	0.750 (19.1)	0.875 (22.2)
180	24	C	1.500 - 28 UN	1.555 (39.5)	2.280 (57.9)	0.875 (22.2)	1.000 (25.4)
181	24	C	1.500 - 28 UN	1.555 (39.5)	2.280 (57.9)	1.000 (25.4)	1.125 (28.6)
182	24	D	1.500 - 28 UN	1.555 (39.5)	3.050 (77.5)	0.750 (19.1)	0.875 (22.2)
183	24	D	1.500 - 28 UN	1.555 (39.5)	3.050 (77.5)	0.875 (22.2)	1.000 (25.4)
184	24	D	1.500 - 28 UN	1.555 (39.5)	3.050 (77.5)	1.000 (25.4)	1.125 (28.6)
166	22	D	1.375 - 28 UN	1.430 (36.3)	2.550 (64.8)	0.875 (22.2)	1.000 (25.4)

Dimensions are in inches (mm).

(Continued on next page)

AS81511/14 Type EMI Backshell

RY85049 Series • M85049 Type Backshells

Backshell Dimensions (Continued from previous page)

Dash No.	Shell Size	Function	V Thread Class 2B	D Max	Length	CC Cable Clearance	
						Min	Max
167	22	C	1.375 - 28 UN	1.430 (36.3)	2.280 (57.9)	0.625 (15.9)	0.750 (19.1)
168	22	C	1.375 - 28 UN	1.430 (36.3)	2.280 (57.9)	0.750 (19.1)	0.875 (22.2)
169	22	C	1.375 - 28 UN	1.430 (36.3)	2.280 (57.9)	0.875 (22.2)	1.000 (25.4)
170	22	D	1.375 - 28 UN	1.430 (36.3)	3.050 (77.5)	0.625 (15.9)	0.750 (19.1)

Dimensions are in inches (mm).



AS81511/17 Type Protective Plug Cover

RY85049 Series • M85049 Type Backshells



Photo for example only

RY81511/17 - 14

- 1 **BASIC PART NUMBER**
RY81511/17
AS81511/17 type
Protective plug cover (Series 2)
- 2 **SHELL SIZE**
See Dimensions table below

RY81511/17 Compatibility

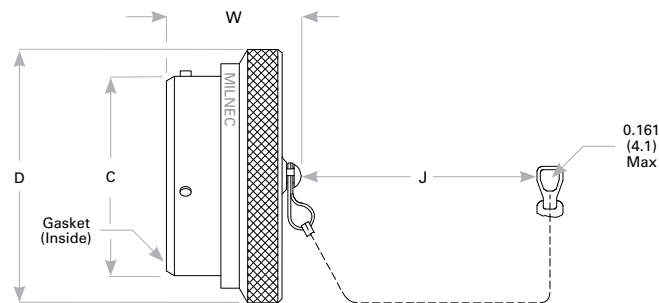
Compatible Connector Series

AS81511

Protective Cover Dimensions

Shell Size	D Max	C	W Max	J
8	0.845 (21.5)	0.553 (14.0)	0.985 (25.0)	3.000 (76.2)
10	0.970 (24.6)	0.678 (17.2)	0.985 (25.0)	3.000 (76.2)
14	1.220 (31.0)	0.928 (23.6)	0.985 (25.0)	3.500 (88.9)
16	1.345 (34.2)	1.054 (26.8)	0.985 (25.0)	3.500 (88.9)
18	1.470 (37.3)	1.178 (29.9)	0.985 (25.0)	3.500 (88.9)

Dimensions are in inches (mm).



Rev. 1825

AS81511/18 Type Protective Receptacle Cover

Ry85049 Series • M85049 Type Backshells

RY81511/18 - 14

1 2

1 **BASIC PART NUMBER**

RY81511/18

AS81511/18 type

Protective receptacle cover (Series 1 & 2)

2 **SHELL SIZE**

See Dimensions table below



Photo for example only

RY81511/18 Compatibility

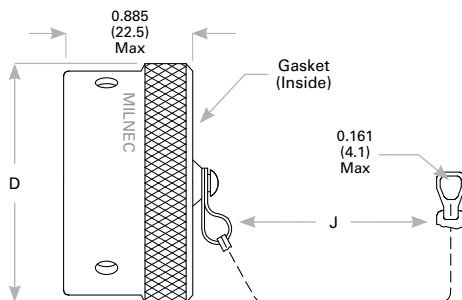
Compatible Connector Series

AS81511

Protective Cover Dimensions

Shell Size	D Max	J
8	0.844 (21.4)	3.000 (76.2)
10	0.969 (24.6)	3.000 (76.2)
14	1.219 (31.0)	3.500 (88.9)
16	1.345 (34.2)	3.500 (88.9)
18	1.469 (37.3)	3.500 (88.9)

Dimensions are in inches (mm).



Rev. 1825

AS81511/29 Type Protective Plug Cover

RY85049 Series • M85049 Type Backshells



Photo for example only

RY81511/29 - 14

- 1 **BASIC PART NUMBER**
RY81511/29
AS81511/29 type
Protective plug cover
- 2 **SHELL SIZE**
See Dimensions table below

RY81511/29 Compatibility

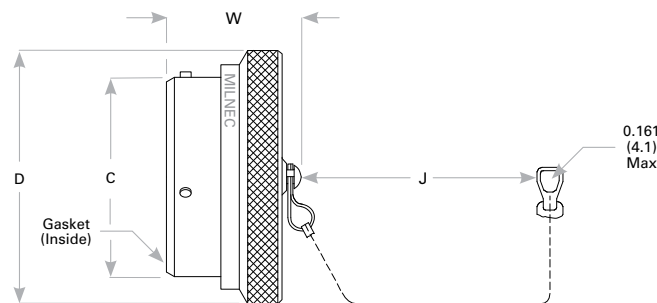
Compatible Connector Series

AS81511

Protective Cover Dimensions

Shell Size	D Max	C	W Max	J
8	0.845 (21.5)	0.553 (14.0)	1.125 (28.6)	3.000 (76.2)
10	0.970 (24.6)	0.678 (17.2)	1.125 (28.6)	3.000 (76.2)
14	1.220 (31.0)	0.928 (23.6)	1.125 (28.6)	3.500 (88.9)
16	1.345 (34.2)	1.054 (26.8)	1.125 (28.6)	3.500 (88.9)
18	1.470 (37.3)	1.178 (29.9)	1.125 (28.6)	3.500 (88.9)
20	1.595 (40.5)	1.303 (33.1)	1.125 (28.6)	3.500 (88.9)
22	1.720 (43.7)	1.428 (36.3)	1.125 (28.6)	3.500 (88.9)
24	1.845 (46.9)	1.553 (39.4)	1.125 (28.6)	3.500 (88.9)

Dimensions are in inches (mm).



Rev. 1825

AS81511/19 Type Dummy Stowage Receptacle

R_Y85049 Series • M85049 Type Backshells

R_Y81511/19 - 14 1

- 1 **BASIC PART NUMBER**
R_Y81511/19
AS81511/19 type
Dummy stowage receptacle
- 2 **SHELL SIZE**
See Dimensions table below
- 3 **MATERIAL AND FINISH**
 - 1 Aluminum, olive drab cadmium
 - 2 Aluminum, dull chromium over nickel



R_Y81511/19 Compatibility

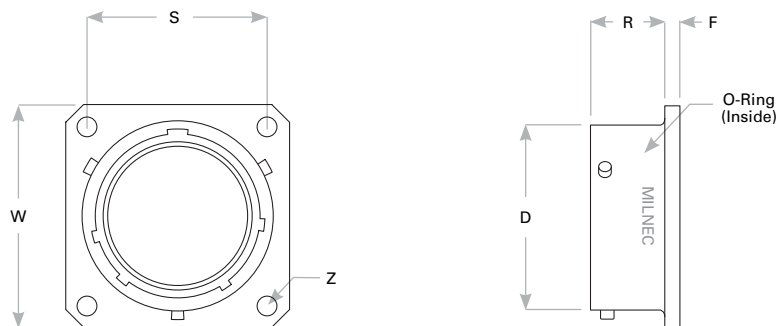
Compatible Connector Series

AS81511 Series 2

Receptacle Dimensions

Shell Size	D	W	S	Z	R	F
8	0.550 (14.0)	0.812 (20.6)	0.594 (15.1)	0.121 (3.1)	0.645 (16.4)	0.070 (1.8)
10	0.675 (17.1)	0.937 (23.8)	0.719 (18.3)	0.121 (3.1)	0.645 (16.4)	0.070 (1.8)
14	0.925 (23.5)	1.125 (28.6)	0.906 (23.0)	0.121 (3.1)	0.645 (16.4)	0.070 (1.8)
16	1.051 (26.7)	1.250 (31.8)	0.969 (24.6)	0.121 (3.1)	0.645 (16.4)	0.070 (1.8)
18	1.175 (29.8)	1.343 (34.1)	1.062 (27.0)	0.121 (3.1)	0.645 (16.4)	0.070 (1.8)

Dimensions are in inches (mm).



Rev. 1825

AS81511/30 Type Dummy Stowage Receptacle

RY85049 Series • M85049 Type Backshells



Photo for example only

RY81511/30 - 14 1

- 1 **BASIC PART NUMBER**
RY81511/19
 AS81511/19 type
 Dummy stowage receptacle
- 2 **SHELL SIZE**
 See Dimensions table below
- 3 **MATERIAL AND FINISH**
 - 1 Aluminum, olive drab cadmium
 - 2 Aluminum, dull chromium over nickel

RY81511/19 Compatibility

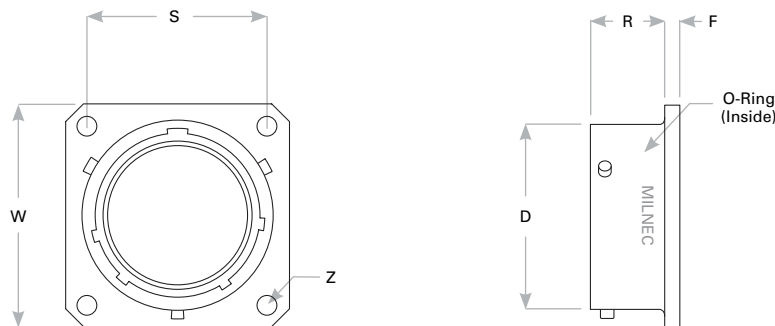
Compatible Connector Series

AS81511 Series 1

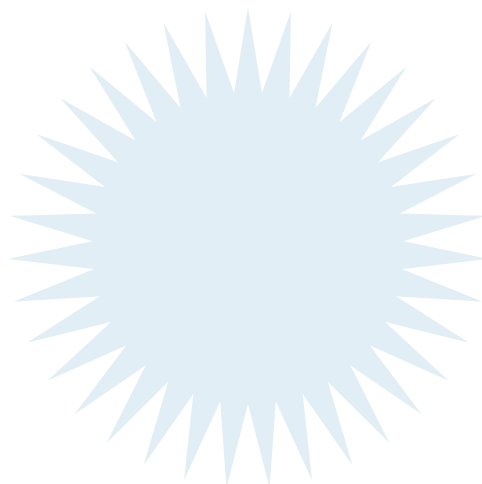
Receptacle Dimensions

Shell Size	D	W	S	Z	R	F
8	0.550 (14.0)	0.812 (20.6)	0.594 (15.1)	0.121 (3.1)	0.645 (16.4)	0.070 (1.8)
10	0.675 (17.1)	0.937 (23.8)	0.719 (18.3)	0.121 (3.1)	0.645 (16.4)	0.070 (1.8)
14	0.925 (23.5)	1.125 (28.6)	0.906 (23.0)	0.121 (3.1)	0.645 (16.4)	0.070 (1.8)
16	1.051 (26.7)	1.250 (31.8)	0.969 (24.6)	0.121 (3.1)	0.645 (16.4)	0.070 (1.8)
18	1.175 (29.8)	1.343 (34.1)	1.062 (27.0)	0.121 (3.1)	0.645 (16.4)	0.070 (1.8)
20	1.300 (33.0)	1.467 (37.3)	1.156 (29.4)	0.121 (3.1)	0.645 (16.4)	0.070 (1.8)
22	1.425 (36.2)	1.562 (39.7)	1.250 (31.8)	0.121 (3.1)	0.645 (16.4)	0.070 (1.8)
24	1.550 (39.4)	1.703 (43.3)	1.375 (34.9)	0.148 (3.8)	0.645 (16.4)	0.070 (1.8)

Dimensions are in inches (mm).



Rev. 1825



AS25042 Type Protective Plug Cover

Ry85049 Series • M85049 Type Backshells



Photo for example only

Ry25042 - 14 DA

- 1 **BASIC PART NUMBER**
Ry25042
 AS25042 type
 Protective plug cover
 (Supersedes MS25042)
- 2 **SHELL SIZE**
 See Dimensions table below
- 3 **MATERIAL & FINISH**
D Aluminum, olive drab cadmium
DA Aluminum, black anodize

Ry25042 Compatibility

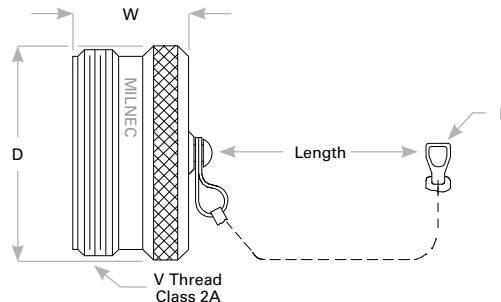
Compatible Connector Series

AS50151

Protective Cover Dimensions

Shell Size	V Thread Class 2A	D Max	W Max	Length	L Min
8	1/2 - 28 UNEF	0.562 (14.3)	0.656 (16.7)	4.000 (101.6)	0.151 (3.8)
10	5/8 - 24 UNEF	0.687 (17.4)	0.656 (16.7)	4.000 (101.6)	0.151 (3.8)
12	3/4 - 20 UNEF	0.812 (20.6)	0.844 (21.4)	4.500 (114.3)	0.151 (3.8)
14	7/8 - 20 UNEF	0.937 (23.8)	0.844 (21.4)	4.500 (114.3)	0.151 (3.8)
16	1 - 20 UNEF	1.062 (27.0)	0.844 (21.4)	4.500 (114.3)	0.151 (3.8)
18	1 1/8 - 18 UNEF	1.187 (30.1)	0.844 (21.4)	4.500 (114.3)	0.151 (3.8)
20	1 1/4 - 18 UNEF	1.312 (33.3)	0.844 (21.4)	5.000 (127.0)	0.182 (4.6)
22	1 3/8 - 18 UNEF	1.437 (36.5)	0.844 (21.4)	5.000 (127.0)	0.182 (4.6)
24	1 1/2 - 18 UNEF	1.562 (39.7)	0.844 (21.4)	5.500 (139.7)	0.182 (4.6)
28	1 3/4 - 18 UNS	1.812 (46.0)	0.844 (21.4)	7.750 (196.9)	0.182 (4.6)
32	2 - 18 UNS	2.062 (52.4)	0.844 (21.4)	7.750 (196.9)	0.213 (5.4)
36	2 1/4 - 16 UN	2.312 (58.7)	0.844 (21.4)	7.750 (196.9)	0.213 (5.4)
40	2 1/2 - 16 UN	2.562 (65.1)	0.844 (21.4)	7.750 (196.9)	0.213 (5.4)
44	2 3/4 - 16 UN	2.812 (71.4)	0.844 (21.4)	7.750 (196.9)	0.213 (5.4)
48	3 - 16 UN	3.062 (77.8)	0.844 (21.4)	7.750 (196.9)	0.213 (5.4)

Dimensions are in inches (mm).



Rev. 1825

AS25043 Type Protective Receptacle Cover

Ry85049 Series • M85049 Type Backshells

Ry25043 - 14 DA

- 1 **BASIC PART NUMBER**
RY25043
 AS25043 type
 Protective receptacle cover
 (Supersedes MS25043)
- 2 **SHELL SIZE**
 See Dimensions table below
- 3 **MATERIAL & FINISH**
D Aluminum, olive drab cadmium
DA Aluminum, black anodize



Photo for example only

Ry25043 Compatibility

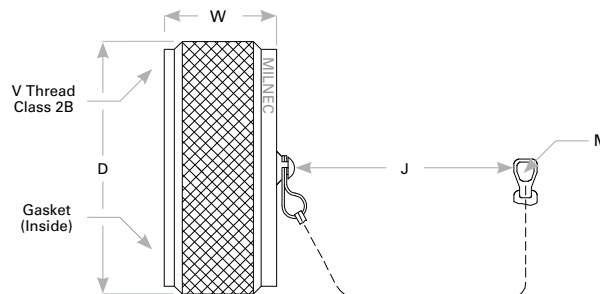
Compatible Connector Series

AS50151

Protective Cover Dimensions

Shell Size	V Thread Class 2B	D Max	W	Length	M Min
8	1/2 - 28 UNEF	0.688 (17.5)	0.469 (11.9)	4.000 (101.6)	0.135 (3.4)
10	5/8 - 24 UNEF	0.815 (20.7)	0.469 (11.9)	4.000 (101.6)	0.135 (3.4)
12	3/4 - 20 UNEF	1.000 (25.4)	0.469 (11.9)	4.500 (114.3)	0.135 (3.4)
14	7/8 - 20 UNEF	1.125 (28.6)	0.469 (11.9)	4.500 (114.3)	0.135 (3.4)
16	1 - 20 UNEF	1.188 (30.2)	0.469 (11.9)	4.500 (114.3)	0.135 (3.4)
18	1 1/8 - 18 UNEF	1.344 (34.1)	0.469 (11.9)	4.500 (114.3)	0.135 (3.4)
20	1 1/4 - 18 UNEF	1.469 (37.3)	0.469 (11.9)	5.000 (127.0)	0.135 (3.4)
22	1 3/8 - 18 UNEF	1.594 (40.5)	0.469 (11.9)	5.000 (127.0)	0.135 (3.4)
24	1 1/2 - 18 UNEF	1.719 (43.7)	0.469 (11.9)	5.500 (139.7)	0.135 (3.4)
28	1 3/4 - 18 UNS	1.969 (50.0)	0.531 (13.5)	7.750 (196.9)	0.166 (4.2)
32	2 - 18 UNS	2.219 (56.4)	0.531 (13.5)	7.750 (196.9)	0.166 (4.2)
36	2 1/4 - 16 UN	2.469 (62.7)	0.531 (13.5)	7.750 (196.9)	0.182 (4.6)
40	2 1/2 - 16 UN	2.719 (69.1)	0.531 (13.5)	7.750 (196.9)	0.182 (4.6)
44	2 3/4 - 16 UN	2.969 (75.4)	0.531 (13.5)	7.750 (196.9)	0.182 (4.6)
48	3 - 16 UN	3.188 (81.0)	0.531 (13.5)	7.750 (196.9)	0.182 (4.6)

Dimensions are in inches (mm).



Rev. 1825

MS17350 Type Protective Plug Cover

Ry85049 Series • M85049 Type Backshells



Ry17350 C 16 B

- 1 **BASIC PART NUMBER**
Ry17350
 MS17350 type
 Protective plug cover
- 2 **MATERIAL & FINISH**
C Aluminum, conductive
N Aluminum, non-conductive
- 3 **DASH NO.**
 See Dimensions table below
- 4 **ATTACHMENT TYPE**
B Eyelet

Ry17350 Compatibility

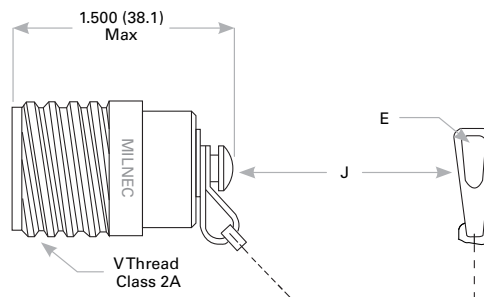
Compatible Connector Series

MIL-DTL-22992

Protective Cover Dimensions

Shell Size	V Thread Class 2A	J	E Min
12	0.8750-0.1P-0.2L-DS	5.000 (127.0)	0.150 (3.8)
14	1.0000-0.1P-0.2L-DS	5.000 (127.0)	0.150 (3.8)
16	1.1250-0.1P-0.2L-DS	5.000 (127.0)	0.150 (3.8)
18	1.2500-0.1P-0.2L-DS	5.000 (127.0)	0.177 (4.5)
20	1.3750-0.1P-0.2L-DS	5.000 (127.0)	0.177 (4.5)
22	1.5000-0.1P-0.2L-DS	6.000 (152.4)	0.177 (4.5)
24	1.7500-0.1P-0.2L-DS	6.000 (152.4)	0.177 (4.5)
28	2.0000-0.1P-0.2L-DS	6.000 (152.4)	0.177 (4.5)
32	2.2500-0.1P-0.2L-DS	6.000 (152.4)	0.199 (5.1)
36	2.5000-0.1P-0.2L-DS	6.000 (152.4)	0.199 (5.1)
40	2.7500-0.1P-0.2L-DS	6.000 (152.4)	0.199 (5.1)
44	3.0000-0.1P-0.2L-DS	6.000 (152.4)	0.199 (5.1)

Dimensions are in inches (mm).



Rev. 1825

MS17349 Type Protective Receptacle Cover

Ry85049 Series • M85049 Type Backshells

Ry17349 C 16 B

- 1
- 2
- 3
- 4

- 1 BASIC PART NUMBER**
RY17349
 MS17349 type
 Protective receptacle cover
- 2 MATERIAL & FINISH**
C Aluminum, conductive
N Aluminum, non-conductive
- 3 DASH NO.**
 See Dimensions table below
- 4 ATTACHMENT TYPE**
A Jam nut ring
B Eyelet



Photo for example only

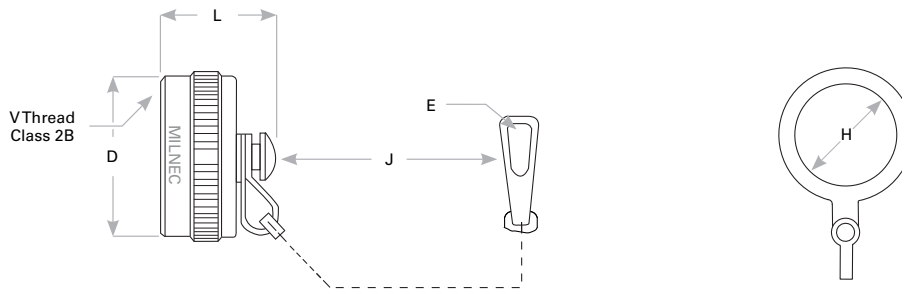
Ry17349 Compatibility

Compatible Connector Series
MIL-DTL-22992

Protective Cover Dimensions

Shell Size	V Thread Class 2B	D Max	L Max	J	H Min	E Min
12	0.8750-0.1P-0.2L-DS	1.094 (27.8)	0.765 (19.4)	5.000 (127.0)	1.016 (25.8)	0.150 (3.8)
14	1.0000-0.1P-0.2L-DS	1.219 (31.0)	0.765 (19.4)	5.000 (127.0)	1.141 (29.0)	0.150 (3.8)
16	1.1250-0.1P-0.2L-DS	1.344 (34.1)	0.980 (24.9)	5.000 (127.0)	1.266 (32.2)	0.150 (3.8)
18	1.2500-0.1P-0.2L-DS	1.469 (37.3)	0.980 (24.9)	5.000 (127.0)	1.391 (35.3)	0.177 (4.5)
20	1.3750-0.1P-0.2L-DS	1.562 (39.7)	0.980 (24.9)	5.000 (127.0)	1.516 (38.5)	0.177 (4.5)
22	1.5000-0.1P-0.2L-DS	1.688 (42.9)	0.980 (24.9)	6.000 (152.4)	1.641 (41.7)	0.177 (4.5)
24	1.7500-0.1P-0.2L-DS	1.938 (49.2)	0.980 (24.9)	6.000 (152.4)	1.891 (48.0)	0.177 (4.5)
28	2.0000-0.1P-0.2L-DS	2.219 (56.4)	0.980 (24.9)	6.000 (152.4)	2.141 (54.4)	0.177 (4.5)
32	2.2500-0.1P-0.2L-DS	2.469 (62.7)	0.980 (24.9)	6.000 (152.4)	2.391 (60.7)	0.199 (5.1)
36	2.5000-0.1P-0.2L-DS	2.719 (69.1)	0.980 (24.9)	6.000 (152.4)	2.641 (67.1)	0.199 (5.1)
40	2.7500-0.1P-0.2L-DS	2.969 (75.4)	0.980 (24.9)	6.000 (152.4)	2.891 (73.4)	0.199 (5.1)
44	3.0000-0.1P-0.2L-DS	3.219 (81.8)	0.980 (24.9)	6.000 (152.4)	3.141 (79.8)	0.199 (5.1)

Dimensions are in inches (mm).



Rev. 1825

MS27291 Type Strain Relief Backshell

Ry85049 Series • M85049 Type Backshells



Photo for example only

Ry27291 - 301

- 1 **BASIC PART NUMBER**
RY27291
MS27291 type
Non-self-locking-strain relief backshell
- 2 **DASH NO.**
See Dimensions table below

Ry27291 Compatibility

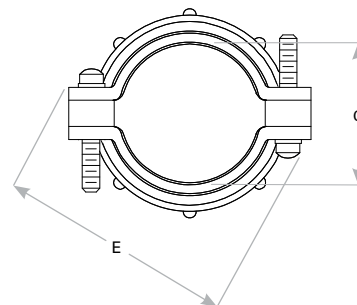
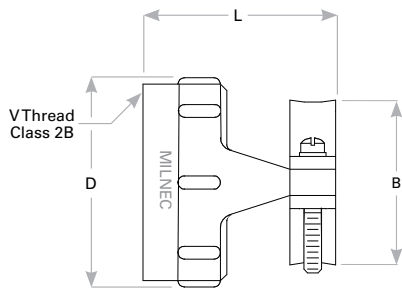
Compatible Connector Series

MIL-DTL-26500

Backshell Dimensions

Dash No.		Shell Size	V Thread Class 2B	D Max	L	E Max	C
Class R & F	Class G						
1	101	10	0.562 - 24 UNEF	0.731 (18.6)	0.935 (23.7)	0.914 (23.2)	0.270 (6.9)
2	201	12	0.750 - 20 UNEF	0.919 (23.3)	0.935 (23.7)	1.026 (26.1)	0.400 (10.2)
3	301	14	0.812 - 20 UNEF	0.981 (24.9)	1.170 (29.7)	1.090 (27.7)	0.460 (11.7)
4	401	16	0.938 - 20 UNEF	1.106 (28.1)	1.170 (29.7)	1.250 (31.8)	0.610 (15.5)
5	501	18	1.062 - 18 UNEF	1.231 (31.3)	1.170 (29.7)	1.358 (34.5)	0.690 (17.5)
6	601	22	1.312 - 18 UNEF	1.481 (37.6)	1.170 (29.7)	1.604 (40.7)	0.940 (23.9)
13	701	8	0.438 - 28 UNEF	0.606 (15.4)	0.935 (23.7)	0.789 (20.0)	0.186 (4.7)
14	801	20	1.188 - 18 UNEF	1.356 (34.4)	1.170 (29.7)	1.481 (37.6)	0.816 (20.7)
15	901	24	1.438 - 18 UNEF	1.606 (40.8)	1.170 (29.7)	1.729 (43.9)	1.066 (27.1)

Dimensions are in inches (mm).



Rev. 1825

MS27558 Type 90° Strain Relief Backshell

Ry85049 Series • M85049 Type Backshells

Ry27558 - 8

- 1 **BASIC PART NUMBER**
Ry27558
MS27558 type
90° non-self-locking-strain relief backshell
- 2 **DASH NO.**
See Dimensions table below



Photo for example only

Ry27558 Compatibility

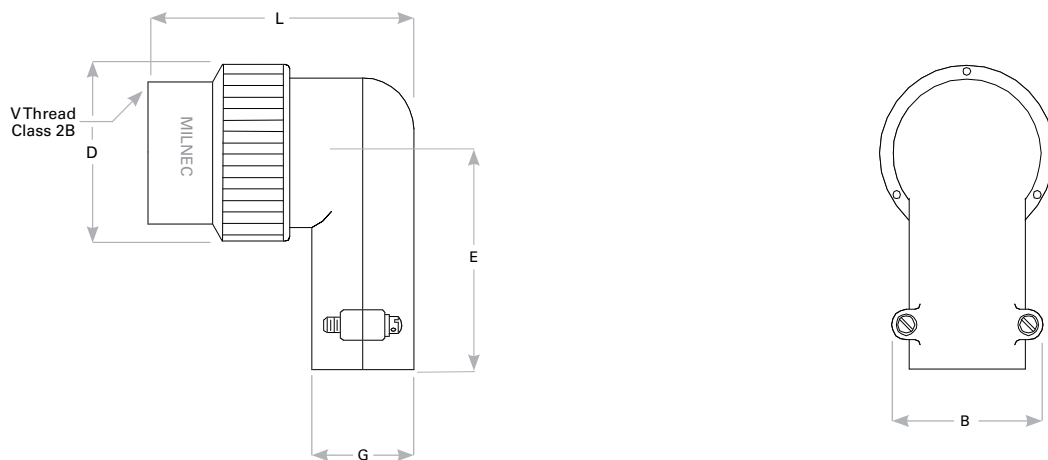
Compatible Connector Series

MIL-DTL-26500

Backshell Dimensions

Dash No.	Shell Size	V Thread Class 2B	D Max	L Max	E Max	B Max	G
1	8	0.437 - 28 UNEF	0.672 (17.1)	1.200 (30.5)	0.602 (15.3)	0.892 (22.7)	0.240 (6.1)
2	10	0.562 - 24 UNEF	0.797 (20.2)	1.320 (33.5)	0.650 (16.5)	1.072 (27.2)	0.365 (9.3)
3	12	0.750 - 20 UNEF	1.016 (25.8)	1.320 (33.5)	0.740 (18.8)	1.072 (27.2)	0.365 (9.3)
4	14	0.812 - 20 UNEF	1.110 (28.2)	1.487 (37.8)	0.775 (19.7)	1.108 (28.1)	0.515 (13.1)
5	16	0.938 - 20 UNEF	1.234 (31.3)	1.470 (37.3)	0.830 (21.1)	1.108 (28.1)	0.515 (13.1)
6	18	1.062 - 18 UNEF	1.360 (34.5)	1.588 (40.3)	0.897 (22.8)	1.233 (31.3)	0.640 (16.3)
7	20	1.188 - 18 UNEF	1.485 (37.7)	1.759 (44.7)	0.955 (24.3)	1.477 (37.5)	0.775 (19.7)
8	22	1.312 - 18 UNEF	1.610 (40.9)	1.759 (44.7)	1.015 (25.8)	1.477 (37.5)	0.775 (19.7)
9	24	1.438 - 18 UNEF	1.735 (44.1)	2.027 (51.5)	1.077 (27.4)	1.727 (43.9)	1.060 (26.9)

Dimensions are in inches (mm).



Rev. 1825

MS27559 Type 90° Strain Relief Backshell

Ry85049 Series • M85049 Type Backshells



Photo for example only

Ry27559 - 7

- 1 **BASIC PART NUMBER**
Ry27559
 MS27559 type
 90° non-self-locking-strain relief backshell
- 2 **DASH NO.**
 See Dimensions table below

Ry27559 Compatibility

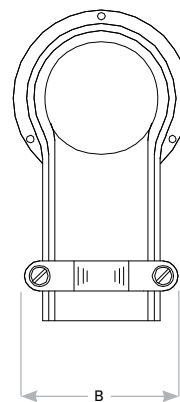
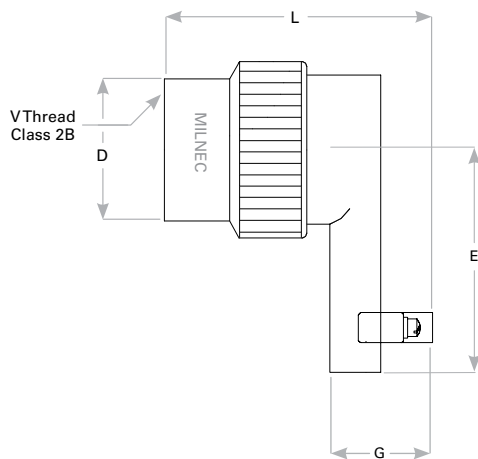
Compatible Connector Series

MIL-DTL-26500

Backshell Dimensions

Dash No.	Shell Size	V Thread Class 2B	D Max	L Max	E Max	B Max	G
1	8	0.437 - 28 UNEF	0.672 (17.1)	1.173 (29.8)	0.602 (15.3)	0.892 (22.7)	0.201 (5.1)
2	10	0.562 - 24 UNEF	0.797 (20.2)	1.293 (32.8)	0.650 (16.5)	1.072 (27.2)	0.320 (8.1)
3	12	0.750 - 20 UNEF	1.016 (25.8)	1.293 (32.8)	0.740 (18.8)	1.072 (27.2)	0.320 (8.1)
4	14	0.812 - 20 UNEF	1.110 (28.2)	1.460 (37.1)	0.775 (19.7)	1.108 (28.1)	0.452 (11.5)
5	16	0.938 - 20 UNEF	1.234 (31.3)	1.443 (36.7)	0.830 (21.1)	1.108 (28.1)	0.508 (12.9)
6	18	1.062 - 18 UNEF	1.360 (34.5)	1.561 (39.6)	0.897 (22.8)	1.233 (31.3)	0.571 (14.5)
7	20	1.188 - 18 UNEF	1.485 (37.7)	1.732 (44.0)	0.955 (24.3)	1.477 (37.5)	0.748 (19.0)
8	22	1.312 - 18 UNEF	1.610 (40.9)	1.732 (44.0)	1.015 (25.8)	1.477 (37.5)	0.748 (19.0)
9	24	1.438 - 18 UNEF	1.735 (44.1)	2.000 (50.8)	1.077 (27.4)	1.727 (43.9)	0.996 (25.3)

Dimensions are in inches (mm).



Rev. 1825

MS27741 Type TAG Ring

RY85049 Series • M85049 Type Backshells

RY27741 - 7

- 1 BASIC PART NUMBER
RY27741
- 2 DASH NO.

MS27741 type
TAG ring

See Dimensions table below



RY27741 Compatibility

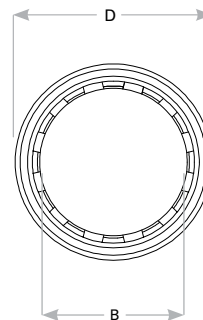
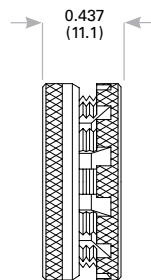
Compatible Connector Series

For Shield Terminations

Ring Dimensions

Dash No.	D Max	B	No. of Slots	Weight in Grams
2	0.545 (13.8)	0.250 (6.4)	3	2.268
3	0.670 (17.0)	0.375 (9.5)	4	2.722
4	0.795 (20.2)	0.500 (12.7)	6	3.175
5	0.920 (23.4)	0.625 (15.9)	8	4.082
6	1.045 (26.5)	0.750 (19.1)	10	4.536
7	1.170 (29.7)	0.875 (22.2)	10	4.99
8	1.295 (32.9)	1.000 (25.4)	12	5.443
9	1.420 (36.1)	1.125 (28.6)	15	6.35
10	1.687 (42.8)	1.250 (31.8)	15	10.433
11	1.812 (46.0)	1.375 (34.9)	15	14.515

Dimensions are in inches (mm).



AS31051 Type Dummy Stowage Receptacle

Ry85049 Series • M85049 Type Backshells



Photo for example only

Ry31051 - 12

- 1 **BASIC PART NUMBER**
Ry31051
AS31051 type
Dummy stowage receptacle
- 2 **SHELL SIZE**
See Dimensions table below

Ry31051 Compatibility

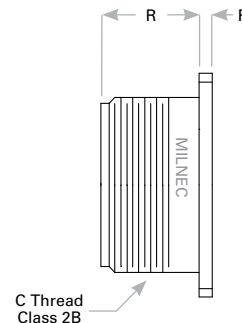
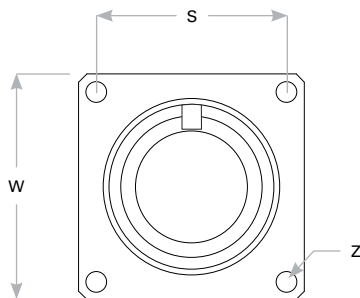
Compatible Connector Series

AS31051

Receptacle Dimensions

Shell Size	S	W Max	Z Max	R Max	C Thread Class 2A	F Max
8S	0.594 (15.1)	0.906 (23.0)	0.130 (3.3)	0.593 (15.1)	1/2 -28 UNEF	0.156 (4.0)
10S	0.719 (18.3)	1.031 (26.2)	0.130 (3.3)	0.593 (15.1)	5/8 -24 UNEF	0.156 (4.0)
12S	0.812 (20.6)	1.125 (28.6)	0.130 (3.3)	0.593 (15.1)	3/4 -20 UNEF	0.156 (4.0)
12	0.812 (20.6)	1.125 (28.6)	0.130 (3.3)	0.781 (19.8)	3/4 -20 UNEF	0.156 (4.0)
14S	0.906 (23.0)	1.219 (31.0)	0.130 (3.3)	0.593 (15.1)	7/8 -20 UNEF	0.156 (4.0)
14	0.906 (23.0)	1.219 (31.0)	0.130 (3.3)	0.781 (19.8)	7/8 -20 UNEF	0.156 (4.0)
16S	0.969 (24.6)	1.312 (33.3)	0.130 (3.3)	0.593 (15.1)	1 -20 UNEF	0.156 (4.0)
16	0.969 (24.6)	1.312 (33.3)	0.130 (3.3)	0.781 (19.8)	1 -20 UNEF	0.156 (4.0)
18	1.062 (27.0)	1.406 (35.7)	0.130 (3.3)	0.781 (19.8)	1 1/8 -18 UNEF	0.203 (5.2)
20	1.156 (29.4)	1.531 (38.9)	0.130 (3.3)	0.781 (19.8)	1 1/4 -18 UNEF	0.203 (5.2)
22	1.250 (31.8)	1.656 (42.1)	0.130 (3.3)	0.781 (19.8)	1 3/8 -18 UNEF	0.203 (5.2)
24	1.375 (34.9)	1.781 (45.2)	0.157 (4.0)	0.843 (21.4)	1 1/2 -18 UNEF	0.203 (5.2)
28	1.562 (39.7)	2.031 (51.6)	0.157 (4.0)	0.843 (21.4)	1 3/4 -18 UNS	0.203 (5.2)
32	1.750 (44.5)	2.281 (57.9)	0.183 (4.6)	0.906 (23.0)	2 -18 UNS	0.359 (9.1)
36	1.938 (49.2)	2.531 (64.3)	0.183 (4.6)	0.906 (23.0)	2 1/4 -16 UN	0.359 (9.1)
40	2.188 (55.6)	2.781 (70.6)	0.183 (4.6)	0.906 (23.0)	2 1/2 -16 UN	0.359 (9.1)
44	2.375 (60.3)	3.031 (77.0)	0.183 (4.6)	0.906 (23.0)	2 3/4 -16 UN	0.359 (9.1)
48	2.625 (66.7)	3.281 (83.3)	0.183 (4.6)	0.906 (23.0)	3 -16 UN	0.359 (9.1)

Dimensions are in inches (mm).



Rev. 1825

MS3115 Type Dummy Stowage Receptacle

Ry85049 Series • M85049 Type Backshells

Ry3115 - 16 W

- 1 **BASIC PART NUMBER**
RY3115
MS3115 type
Dummy stowage receptacle
- 2 **SHELL SIZE**
See Dimensions table below
- 3 **MATERIAL & FINISH**
 - A Aluminum, hard anodize
 - L Aluminum, electroless nickel
 - W Aluminum, olive drab cadmium



Ry17349 Compatibility

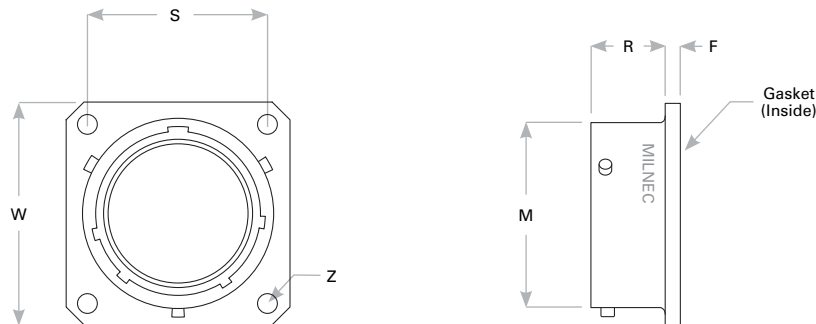
Compatible Connector Series

MIL-DTL-26482

Receptacle Dimensions

Shell Size	M	W Max	S	Z	R	F
8	0.471 (12.0)	0.828 (21.0)	0.594 (15.1)	0.120 (3.0)	0.478 (12.1)	0.062 (1.6)
10	0.588 (14.9)	0.954 (24.2)	0.719 (18.3)	0.120 (3.0)	0.478 (12.1)	0.062 (1.6)
12	0.748 (19.0)	1.047 (26.6)	0.812 (20.6)	0.120 (3.0)	0.478 (12.1)	0.062 (1.6)
14	0.873 (22.2)	1.141 (29.0)	0.906 (23.0)	0.120 (3.0)	0.478 (12.1)	0.062 (1.6)
16	0.998 (25.3)	1.234 (31.3)	0.969 (24.6)	0.120 (3.0)	0.478 (12.1)	0.062 (1.6)
18	1.123 (28.5)	1.328 (33.7)	1.062 (27.0)	0.120 (3.0)	0.478 (12.1)	0.062 (1.6)
20	1.248 (31.7)	1.453 (36.9)	1.156 (29.4)	0.120 (3.0)	0.572 (14.5)	0.094 (2.4)
22	1.373 (34.9)	1.578 (40.1)	1.250 (31.8)	0.120 (3.0)	0.572 (14.5)	0.094 (2.4)
24	1.498 (38.0)	1.703 (43.3)	1.375 (34.9)	0.147 (3.7)	0.605 (15.4)	0.094 (2.4)

Dimensions are in inches (mm).



Rev. 1825

MS3180 Type Protective Plug Cover

Ry85049 Series • M85049 Type Backshells



Ry3180 - 14 C A L

- 1 **BASIC PART NUMBER**
Ry3180
 MS3180 type
 Protective plug cover
- 2 **SHELL SIZE**
 See Dimensions table below
- 3 **ATTACHMENT OPTION**
C Chain
R Wire rope
- 4 **MATERIAL & FINISH**
A Aluminum, black anodize
- 5 **LENGTH (OMIT FOR STANDARD - SEE J IN TABLE)**
L 5.000 (127.0)

Ry3180 Compatibility

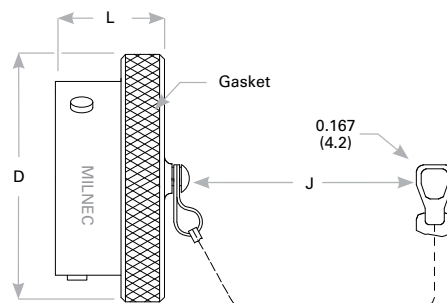
Compatible Connector Series

MIL-DTL-26482

Protective Cover Dimensions

Shell Size	L Max	D Max	J Standard Length
8	0.562 (14.3)	0.719 (18.3)	3.000 (76.2)
10	0.562 (14.3)	0.844 (21.4)	3.000 (76.2)
12	0.562 (14.3)	1.000 (25.4)	3.500 (88.9)
14	0.562 (14.3)	1.125 (28.6)	3.500 (88.9)
16	0.562 (14.3)	1.250 (31.8)	3.500 (88.9)
18	0.562 (14.3)	1.375 (34.9)	3.500 (88.9)
20	0.625 (15.9)	1.500 (38.1)	4.000 (101.6)
22	0.625 (15.9)	1.625 (41.3)	4.000 (101.6)
24	0.658 (16.7)	1.750 (44.5)	4.000 (101.6)

Dimensions are in inches (mm).



Rev. 1825

MS3181 Type Protective Receptacle Cover

Ry85049 Series • M85049 Type Backshells

Ry3181 - 14 C A L

- 1 **BASIC PART NUMBER**
RY3181
MS3181 type
Protective receptacle cover
- 2 **SHELL SIZE**
See Dimensions table below
- 3 **ATTACHMENT OPTION**
C Chain
N Chain with ring
R Wire rope
- 4 **MATERIAL & FINISH**
A Aluminum, black anodize
- 5 **LENGTH (OMIT FOR STANDARD - SEE J IN TABLE)**
L 5.000 (127.0)



Ry3181 Compatibility

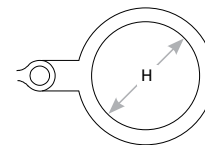
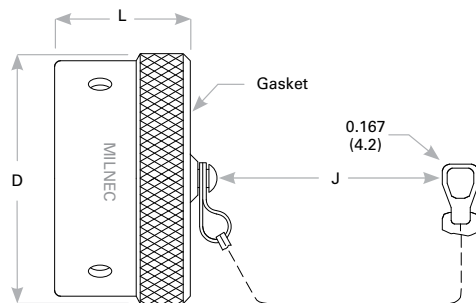
Compatible Connector Series

MIL-DTL-26482

Protective Cover Dimensions

Shell Size	D Max	L Max	J Standard Length	H Min
8	0.734 (18.6)	0.562 (14.3)	3.000 (76.2)	0.578 (14.7)
10	0.859 (21.8)	0.562 (14.3)	3.000 (76.2)	0.703 (17.9)
12	1.000 (25.4)	0.562 (14.3)	3.500 (88.9)	0.891 (22.6)
14	1.125 (28.6)	0.562 (14.3)	3.500 (88.9)	1.016 (25.8)
16	1.250 (31.8)	0.562 (14.3)	3.500 (88.9)	1.141 (29.0)
18	1.375 (34.9)	0.562 (14.3)	3.500 (88.9)	1.266 (32.2)
20	1.500 (38.1)	0.562 (14.3)	4.000 (101.6)	1.391 (35.3)
22	1.625 (41.3)	0.562 (14.3)	4.000 (101.6)	1.516 (38.5)
24	1.750 (44.5)	0.602 (15.3)	4.000 (101.6)	1.641 (41.7)

Dimensions are in inches (mm).



Ring Attachment

Rev. 1825

MS3186 Type Jam Nut With Safety Wire Holes

RY85049 Series • M85049 Type Backshells

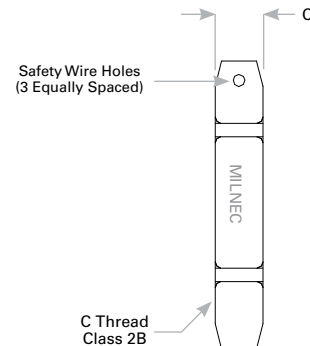
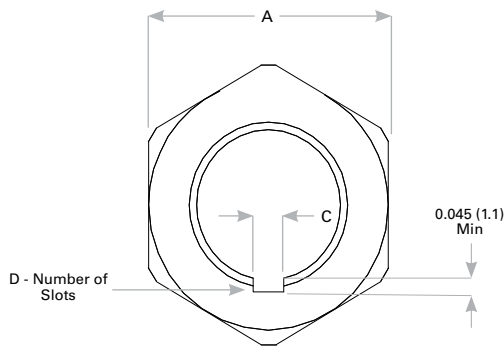


RY3186 - 14 C A L

- 1 **BASIC PART NUMBER**
RY3186
MS3186 type
Jam nut with safety wire holes
- 2 **MATERIAL**
A Aluminum
S Steel
C CRES
- 3 **DASH NO.**
See Dimensions table below
- 4 **FINISH**
A Black anodize (material A only)
B Black cadmium over corrosion resistant steel (material C only)
C Clear cadmium (material A only)
E Electrodeposited nickel
N Electrodeposited nickel (space-grade)
P Passivated (material C only)
T Tin plate (material S only)
W Olive drab cadmium over electroless nickel

RY3186 Compatibility

Compatible Connector Series
Jam Nut Receptacles



Jam Nut Dimensions

Dash No.	C Thread Class 2B	A Max	C Max	D Min. No. of Slots	E Dia
101	0.500 - 28 UNEF-2B	0.687 (17.4)	None	None	0.125 (3.2)
102	0.5625 - 24 UNEF-2B	0.750 (19.1)	0.135 (3.4)	2	0.125 (3.2)
103	0.625 - 24 UNEF-2B	0.812 (20.6)	None	None	0.125 (3.2)
104	0.625 - 20 UN-2B	0.812 (20.6)	None	None	0.125 (3.2)
105	0.625 - 20 UN-2B	0.812 (20.6)	None	None	0.125 (3.2)
106	0.6875 - 24 UNEF-2B	0.875 (22.2)	0.135 (3.4)	1	0.125 (3.2)
107	0.750 - 20 UNEF-2B	0.937 (23.8)	None	None	0.125 (3.2)
108	0.8125 - 20 UNEF-2B	1.000 (25.4)	0.135 (3.4)	1	0.125 (3.2)
109	0.875 - 20 UNEF-2B	1.062 (27.0)	0.135 (3.4)	1	0.125 (3.2)
110	0.9375 - 20 UNEF-2B	1.123 (28.5)	None	None	0.125 (3.2)

Dimensions are in inches (mm).

(Continued on next page)

MS3186 Type Jam Nut With Safety Wire Holes

RY85049 Series • M85049 Type Backshells

Jam Nut Dimensions (Continued from previous page)

Dash No.	A Thread	B	C Max	D Min. No. of Slots	E Dia
111	1.000 - 20 UNEF-2B	1.188 (30.2)	0.135 (3.4)	1	0.125 (3.2)
112	1.125 - 20 UN-2B	1.312 (33.3)	None	None	0.125 (3.2)
113	1.125 - 18 UNEF-2B	1.312 (33.3)	0.135 (3.4)	1	0.125 (3.2)
114	1.1875 - 18 UNEF-2B	1.375 (34.9)	None	None	0.125 (3.2)
115	1.250 - 20 UN-2B	1.438 (36.5)	None	None	0.125 (3.2)
116	1.250 - 18 UNEF-2B	1.438 (36.5)	0.135 (3.4)	1	0.125 (3.2)
117	1.375 - 18 UNEF-2B	1.562 (39.7)	0.192 (4.9)	1	0.125 (3.2)
118	1.4375 - 18 UNEF-2B	1.625 (41.3)	None	None	0.125 (3.2)
119	1.500 - 20 UN-2B	1.688 (42.9)	None	None	0.125 (3.2)
120	1.500 - 18 UNEF-2B	1.688 (42.9)	0.192 (4.9)	1	0.125 (3.2)
121	1.625 - 18 UNEF-2B	1.812 (46.0)	0.192 (4.9)	1	0.125 (3.2)
122	1.750 - 18 UNS-2B	2.000 (50.8)	0.192 (4.9)	1	0.125 (3.2)
123	1.875 - 16 UN-2B	2.125 (54.0)	None	None	0.125 (3.2)
124	1.9375 - 16 UN-2B	2.187 (55.5)	None	None	0.189 (4.8)
125	2.000 - 18 UNS-2B	2.250 (57.2)	None	None	0.189 (4.8)
126	2.125 - 16 UN-2B	2.375 (60.3)	None	None	0.189 (4.8)
127	2.250 - 16 UN-2B	2.500 (63.5)	None	None	0.189 (4.8)
128	2.500 - 16 UN-2B	2.750 (69.9)	None	None	0.189 (4.8)
129	2.750 - 16 UN-2B	3.000 (76.2)	None	None	0.189 (4.8)
130	3.000 - 16 UN-2B	3.250 (82.6)	None	None	0.189 (4.8)

Dimensions are in inches (mm).

Jam Nut Dimensions

Dash No.	MIL-DTL-5015	MIL-DTL-26482	MIL-DTL-26500	MIL-DTL-83723 I	MIL-DTL-83723 III	MIL-DTL-38999 I	MIL-DTL-38999 II	MIL-C-28840	MIL-C-27599
101	8S	-	-	-	-	-	-	-	-
102	-	8	-	8	-	-	-	-	-
103	10S, 10SL	-	-	-	-	-	-	-	-
104	-	-	8	-	-	-	-	-	-
105	-	-	-	-	8	-	-	-	-
106	-	10	-	10	-	9	-	-	9
107	12S, 12	-	10	-	10	-	-	-	-
108	-	-	-	-	-	11	-	-	11
109	14S, 14	12	-	12	-	-	8	11	8
110	-	-	12	-	12	-	-	-	-
111	16S, 16	14	14	14	14	13	10	13	10, 13
112	-	-	16	-	16 Bay	-	-	-	-
113	18	16	-	16	16 Thd	15	12	-	12, 15
114	-	-	-	-	-	-	-	15	-
115	-	-	18	-	-	-	-	-	14, 17
116	20	18	-	18	18	17	14	17	-
117	22	20	20	20	20	19	16	-	16, 19
118	-	-	-	-	-	-	-	19	-
119	-	-	22	-	-	-	-	-	-
120	24	22	-	22	22	21	18	-	18, 21

(Continued on next page)

Rev. 1825

MS3186 Type Jam Nut With Safety Wire Holes

Ry85049 Series • M85049 Type Backshells

Jam Nut Dimensions (Continued from previous page)

Dash No.	MIL-DTL-5015	MIL-DTL-26482	MIL-DTL-26500	MIL-DTL-83723 I	MIL-DTL-83723 III	MIL-DTL-38999 I	MIL-DTL-38999 II	MIL-C-28840	MIL-C-27599
121	-	24	24	24	24	23	20	23	20, 23
122	28	-	-	-	-	25	22	25	22, 25
123	-	-	-	-	-	-	24	-	24
124	-	-	-	-	-	-	-	29	-
125	32	-	-	-	-	-	-	-	-
126	-	-	-	-	-	-	-	33	-
127	36	-	-	-	-	-	-	-	-
128	40	-	-	-	-	-	-	-	-
129	44	-	-	-	-	-	-	-	-
130	48	-	-	-	-	-	-	-	-

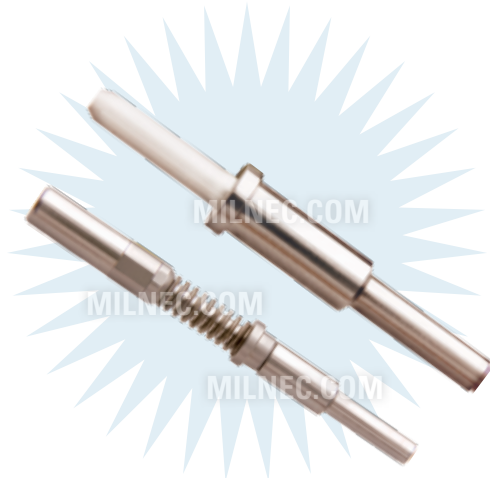


M29504/04 Type D38999 #16 Fiber Optic Pin Terminus

Ry85049 Series • M85049 Type Backshells

MIL-DTL-38999 Series III #16 Fiber Optic Pins

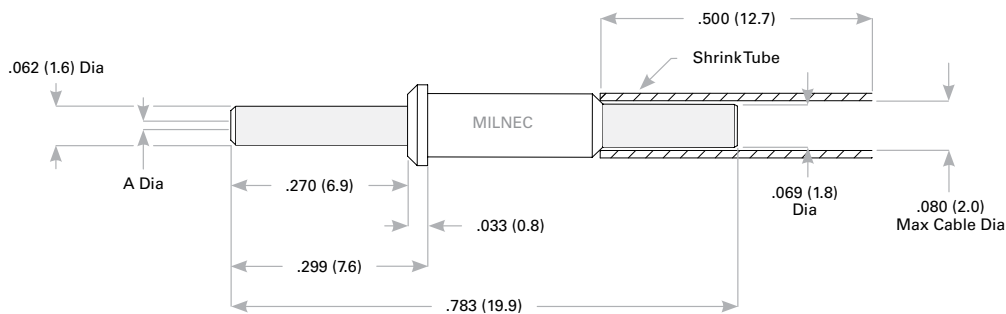
Pin Part Number	Fiber Size Core/Cladding	Mode	A Dia (Microns)	M29504/04-Reference
RY29504/04-4208	9/125	Single	125.5	M29504/04-4208
RY29504/04-4209	9/125	Single	126	M29504/04-4209
RY29504/04-4210	50/125 & 62.5/125	Multi	126	M29504/04-4210
RY29504/04-4040	50/125 & 62.5/125	Multi	127	M29504/04-4040
RY29504/04-4043	100/140	Multi	142	M29504/04-4043
RY29504/04-4044	100/140	Multi	145	M29504/04-4044
RY29504/04-4211	62.5/125/155 (Polyimide)	Multi	156	M29504/04-4211
RY29504/04-4212	62.5/125/155 (Polyimide)	Multi	157	M29504/04-4212
RY29504/04-4087	100/140/172 (Polyimide)	Multi	173	M29504/04-4087
RY29504/04-4213	100/140/172 (Polyimide)	Multi	175	M29504/04-4213
RY29504/04-4214	200/233	Multi	236	M29504/04-4214
RY29504/04-4215	200/280	Multi	286	M29504/04-4215
RY29504/04-4216	400/440	Multi	448	M29504/04-4216



RY29504/04 Compatibility

Compatible Connector Series

MIL-DTL-38999 Series III



Size 16 Fiber Optic Pin Termini

M29504/05 Type D38999 #16 Fiber Optic Sockets

Ry85049 Series • M85049 Type Backshells



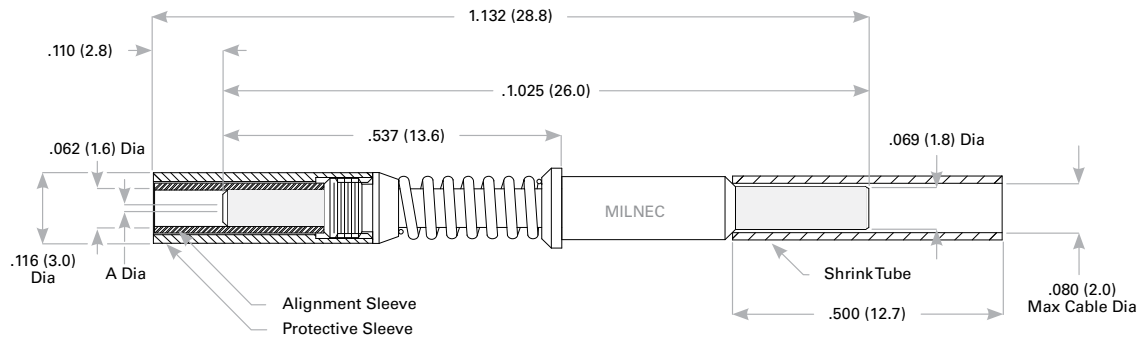
MIL-DTL-38999 Series III #16 Fiber Optic Sockets

Socket Part Number	Fiber Size Core/Cladding	Mode	A Dia (Microns)	M29504/05-Reference
RY29504/05-4237	9/125	Single	125.5	M29504/05-4237
RY29504/05-4238	9/125	Single	126	M29504/05-4238
RY29504/05-4239	50/125 & 62.5/125	Multi	126	M29504/05-4239
RY29504/05-4046	50/125 & 62.5/125	Multi	127	M29504/05-4046
RY29504/05-4049	100/140	Multi	142	M29504/05-4049
RY29504/05-4050	100/140	Multi	145	M29504/05-4050
RY29504/05-4240	62.5/125/155 (Polyimide)	Multi	156	M29504/05-4240
RY29504/05-4241	62.5/125/155 (Polyimide)	Multi	157	M29504/05-4241
RY29504/05-4088	100/140/172 (Polyimide)	Multi	173	M29504/05-4088
RY29504/05-4242	100/140/172 (Polyimide)	Multi	175	M29504/05-4242
RY29504/05-4243	200/233	Multi	236	M29504/05-4243
RY29504/05-4244	200/280	Multi	286	M29504/05-4244
RY29504/05-4245	400/440	Multi	448	M29504/05-4245

RY29504/05 Compatibility

Compatible Connector Series

MIL-DTL-38999 Series III




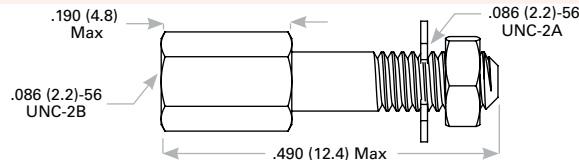
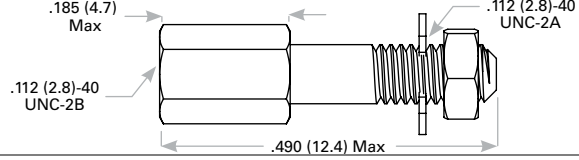

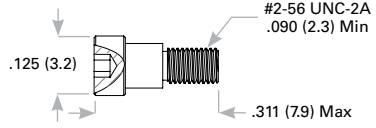
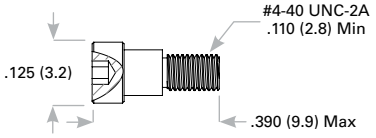

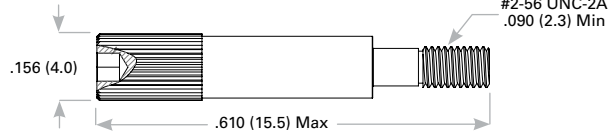
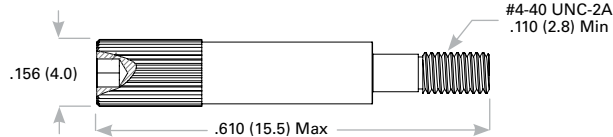

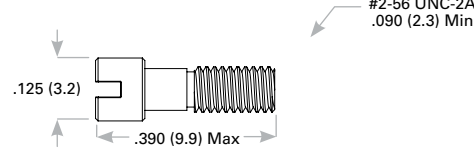
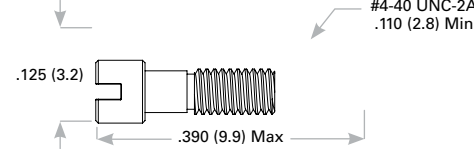

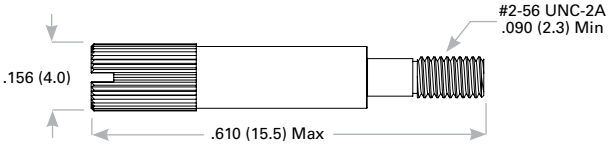
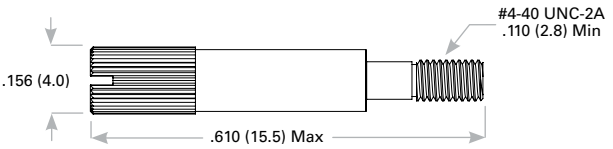
Size 16 Fiber Optic Socket Termini

Rev. 1825

M83513/05 Type Micro-D Jackscrew Kits

Ry85049 Series • M85049 Type Backshells

Jackscrew Kits

Configuration	Size	Milnec Part Number	Dimensions
	9 to 69 Contacts #2-56 UNC	RY83513/05-07	
Jackpost	100 Contacts Only #4-40 UNC	RY83513/05-17	
	9 to 69 Contacts #2-56 UNC	RY83513/05-02	
Hex Head Jackscrew	100 Contacts Only #4-40 UNC	RY83513/05-12	
	9 to 69 Contacts #2-56 UNC	RY83513/05-05	
Extended Hex Head Jackscrew	100 Contacts Only #4-40 UNC	RY83513/05-15	
	9 to 69 Contacts #2-56 UNC	RY83513/05-03	
Slot Head Jackscrew	100 Contacts Only #4-40 UNC	RY83513/05-13	
	9 to 69 Contacts #2-56 UNC	RY83513/05-06	
Extended Slot Head Jackscrew	100 Contacts Only #4-40 UNC	RY83513/05-16	

Rev. 1825

M83538/9S Adapter & Extender

Ry85049 Series • M85049 Type Backshells



Ry83538/9S - 15

- 1 **BASIC PART NUMBER**
Ry83538/9S
 M83538/9S type
 Adapter & extender
- 2 **SHELL SIZE**
 See Dimensions table below

Ry83538/9S Compatibility

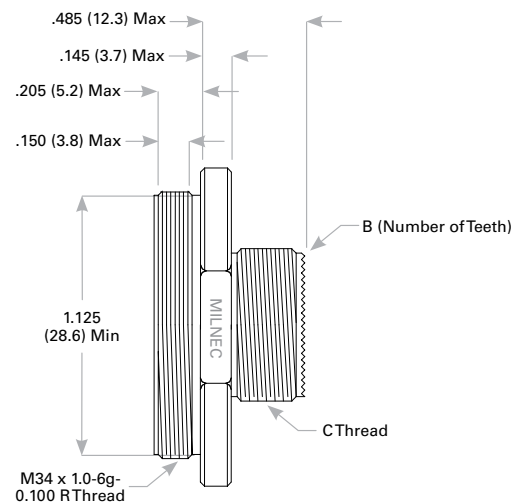
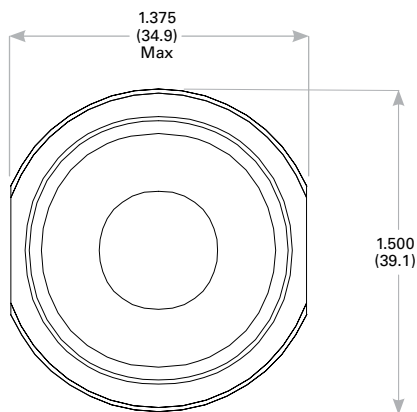
Compatible Connector Series

MIL-DTL-83538/4

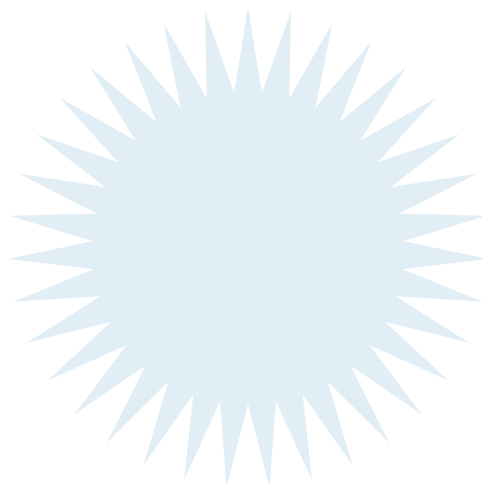
Adapter Dimensions

Shell Size	A Accessory Thread	B Dia	C Number of Teeth
9	M12x1.0-6g 0.100R	0.332 (8.2)	12
11	M15x1.0-6g 0.100R	0.440 (11.2)	16
13	M18x1.0-6g 0.100R	0.559 (14.2)	20
15	M22x1.0-6g 0.100R	0.716 (18.2)	24
17	M25x1.0-6g 0.100R	0.834 (21.2)	28
19	M28x1.0-6g 0.100R	0.952 (24.2)	32
21	M31x1.0-6g 0.100R	1.070 (27.2)	36
23	M34x1.0-6g 0.100R	1.188 (30.2)	40

Dimensions are in inches (mm).



Rev. 1825



M81824/1 In-Line Splice

Ry85049 Series • M85049 Type Backshells



RY81824/1 - 02

- 1 **BASIC PART NUMBER**
RY81824/1
M81824/1 type
In-line splice
- 2 **SIZE**
See Dimensions table below

RY81824/1 Compatibility

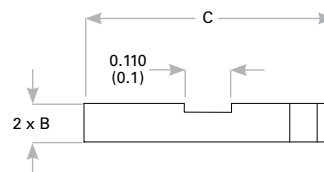
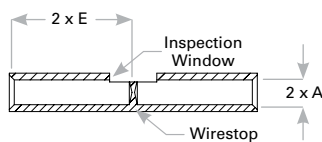
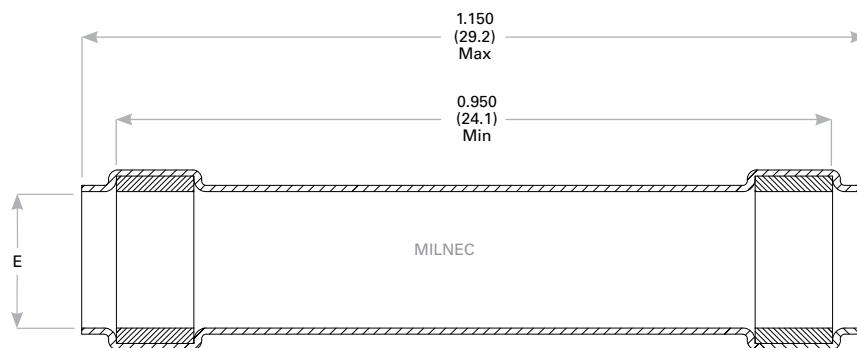
Compatible Connector Series

Mil-Spec Type Connectors

Dimensions

Size	Wire Range	A Max	B Max	C	D	E		Mil Reference
						Free State	After Recovery	
01	20-26 AWG	.050 (1.3)	.080 (2.0)	.510 (13.0)	.245 (6.2)	.085 (2.2)	.025 (0.6)	M81824/1-1
02	16-20 AWG	.069 (1.8)	.106 (2.7)	.585 (14.9)	.280 (7.1)	.110 (2.8)	.025 (0.6)	M81824/1-2
03	12-16 AWG	.102 (2.6)	.153 (3.9)	.585 (14.9)	.280 (7.1)	.170 (4.3)	.025 (0.6)	M81824/1-3

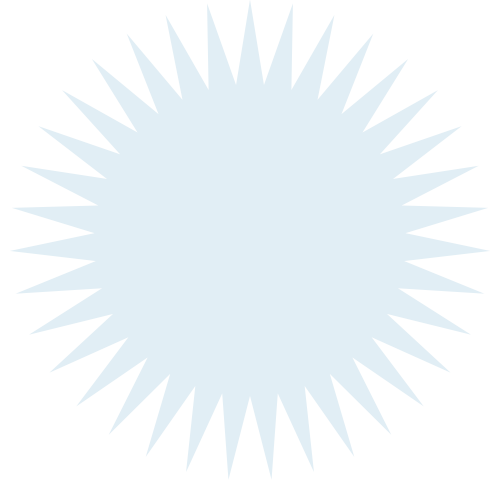
Dimensions are in inches (mm).



Rev. 1825

M83513/05 Type Micro-D Jackscrew Kits

RY85049 Series • M85049 Type Backshells



Rev. 1825