

# MS27558 Type 90° Strain Relief Backshell

Ry85049 Series • M85049 Type Backshells

## Ry27558 - 8

- 1 **BASIC PART NUMBER**  
Ry27558  
MS27558 type  
90° non-self-locking-strain relief backshell
- 2 **DASH NO.**  
See Dimensions table below



Photo for example only

## Ry27558 Compatibility

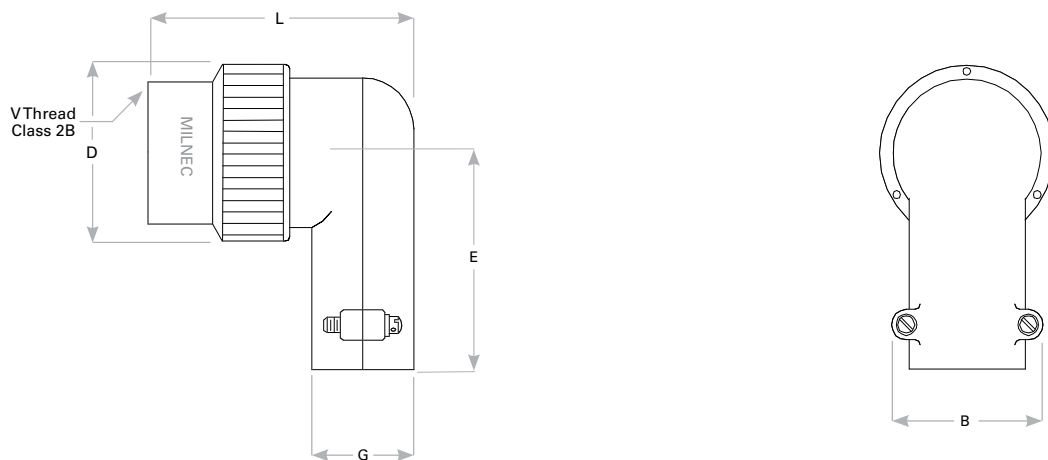
### Compatible Connector Series

MIL-DTL-26500

## Backshell Dimensions

Dash No.	Shell Size	V Thread Class 2B	D Max	L Max	E Max	B Max	G
1	8	0.437 - 28 UNEF	0.672 (17.1)	1.200 (30.5)	0.602 (15.3)	0.892 (22.7)	0.240 (6.1)
2	10	0.562 - 24 UNEF	0.797 (20.2)	1.320 (33.5)	0.650 (16.5)	1.072 (27.2)	0.365 (9.3)
3	12	0.750 - 20 UNEF	1.016 (25.8)	1.320 (33.5)	0.740 (18.8)	1.072 (27.2)	0.365 (9.3)
4	14	0.812 - 20 UNEF	1.110 (28.2)	1.487 (37.8)	0.775 (19.7)	1.108 (28.1)	0.515 (13.1)
5	16	0.938 - 20 UNEF	1.234 (31.3)	1.470 (37.3)	0.830 (21.1)	1.108 (28.1)	0.515 (13.1)
6	18	1.062 - 18 UNEF	1.360 (34.5)	1.588 (40.3)	0.897 (22.8)	1.233 (31.3)	0.640 (16.3)
7	20	1.188 - 18 UNEF	1.485 (37.7)	1.759 (44.7)	0.955 (24.3)	1.477 (37.5)	0.775 (19.7)
8	22	1.312 - 18 UNEF	1.610 (40.9)	1.759 (44.7)	1.015 (25.8)	1.477 (37.5)	0.775 (19.7)
9	24	1.438 - 18 UNEF	1.735 (44.1)	2.027 (51.5)	1.077 (27.4)	1.727 (43.9)	1.060 (26.9)

Dimensions are in inches (mm).



Rev. 1825