

MS3115 Type Dummy Stowage Receptacle

Ry85049 Series • M85049 Type Backshells

Ry3115 - 16 W

- 1 **BASIC PART NUMBER**
RY3115
MS3115 type
Dummy stowage receptacle
- 2 **SHELL SIZE**
See Dimensions table below
- 3 **MATERIAL & FINISH**
 - A Aluminum, hard anodize
 - L Aluminum, electroless nickel
 - W Aluminum, olive drab cadmium



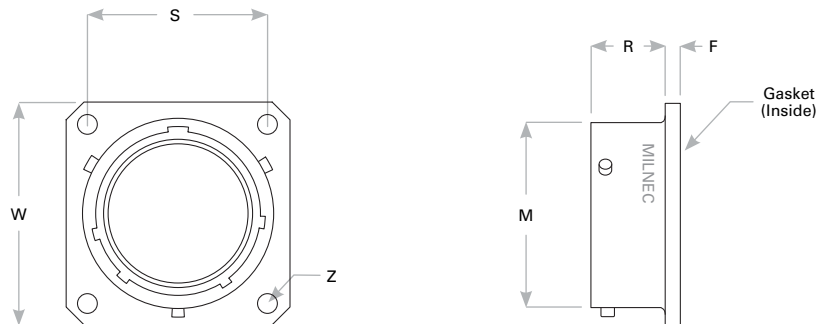
Ry3115 Compatibility

Compatible Connector Series
MIL-DTL-26482

Receptacle Dimensions

Shell Size	M	W Max	S	Z	R	F
8	0.471 (12.0)	0.828 (21.0)	0.594 (15.1)	0.120 (3.0)	0.478 (12.1)	0.062 (1.6)
10	0.588 (14.9)	0.954 (24.2)	0.719 (18.3)	0.120 (3.0)	0.478 (12.1)	0.062 (1.6)
12	0.748 (19.0)	1.047 (26.6)	0.812 (20.6)	0.120 (3.0)	0.478 (12.1)	0.062 (1.6)
14	0.873 (22.2)	1.141 (29.0)	0.906 (23.0)	0.120 (3.0)	0.478 (12.1)	0.062 (1.6)
16	0.998 (25.3)	1.234 (31.3)	0.969 (24.6)	0.120 (3.0)	0.478 (12.1)	0.062 (1.6)
18	1.123 (28.5)	1.328 (33.7)	1.062 (27.0)	0.120 (3.0)	0.478 (12.1)	0.062 (1.6)
20	1.248 (31.7)	1.453 (36.9)	1.156 (29.4)	0.120 (3.0)	0.572 (14.5)	0.094 (2.4)
22	1.373 (34.9)	1.578 (40.1)	1.250 (31.8)	0.120 (3.0)	0.572 (14.5)	0.094 (2.4)
24	1.498 (38.0)	1.703 (43.3)	1.375 (34.9)	0.147 (3.7)	0.605 (15.4)	0.094 (2.4)

Dimensions are in inches (mm).



Rev. 1825