

MS3180 Type Protective Plug Cover

Ry85049 Series • M85049 Type Backshells



RY3180 - 14 C A L

- 1 **BASIC PART NUMBER**
RY3180
MS3180 type
Protective plug cover
- 2 **SHELL SIZE**
See Dimensions table below
- 3 **ATTACHMENT OPTION**
C Chain
R Wire rope
- 4 **MATERIAL & FINISH**
A Aluminum, black anodize
- 5 **LENGTH (OMIT FOR STANDARD - SEE J IN TABLE)**
L 5.000 (127.0)

RY3180 Compatibility

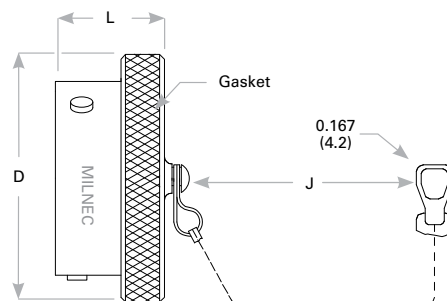
Compatible Connector Series

MIL-DTL-26482

Protective Cover Dimensions

Shell Size	L Max	D Max	J Standard Length
8	0.562 (14.3)	0.719 (18.3)	3.000 (76.2)
10	0.562 (14.3)	0.844 (21.4)	3.000 (76.2)
12	0.562 (14.3)	1.000 (25.4)	3.500 (88.9)
14	0.562 (14.3)	1.125 (28.6)	3.500 (88.9)
16	0.562 (14.3)	1.250 (31.8)	3.500 (88.9)
18	0.562 (14.3)	1.375 (34.9)	3.500 (88.9)
20	0.625 (15.9)	1.500 (38.1)	4.000 (101.6)
22	0.625 (15.9)	1.625 (41.3)	4.000 (101.6)
24	0.658 (16.7)	1.750 (44.5)	4.000 (101.6)

Dimensions are in inches (mm).



Rev. 1825