

# MS3181 Type Protective Receptacle Cover

Ry85049 Series • M85049 Type Backshells

## RY3181 - 14 C A L

- 1 **BASIC PART NUMBER**  
RY3181  
MS3181 type  
Protective receptacle cover
- 2 **SHELL SIZE**  
See Dimensions table below
- 3 **ATTACHMENT OPTION**  
C Chain  
N Chain with ring  
R Wire rope
- 4 **MATERIAL & FINISH**  
A Aluminum, black anodize
- 5 **LENGTH (OMIT FOR STANDARD - SEE J IN TABLE)**  
L 5.000 (127.0)



### RY3181 Compatibility

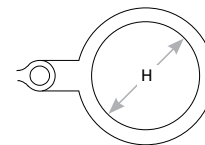
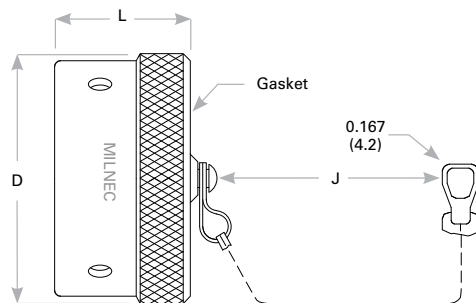
Compatible Connector Series

MIL-DTL-26482

### Protective Cover Dimensions

Shell Size	D Max	L Max	J Standard Length	H Min
8	0.734 (18.6)	0.562 (14.3)	3.000 (76.2)	0.578 (14.7)
10	0.859 (21.8)	0.562 (14.3)	3.000 (76.2)	0.703 (17.9)
12	1.000 (25.4)	0.562 (14.3)	3.500 (88.9)	0.891 (22.6)
14	1.125 (28.6)	0.562 (14.3)	3.500 (88.9)	1.016 (25.8)
16	1.250 (31.8)	0.562 (14.3)	3.500 (88.9)	1.141 (29.0)
18	1.375 (34.9)	0.562 (14.3)	3.500 (88.9)	1.266 (32.2)
20	1.500 (38.1)	0.562 (14.3)	4.000 (101.6)	1.391 (35.3)
22	1.625 (41.3)	0.562 (14.3)	4.000 (101.6)	1.516 (38.5)
24	1.750 (44.5)	0.602 (15.3)	4.000 (101.6)	1.641 (41.7)

Dimensions are in inches (mm).



Ring Attachment

Rev. 1825